

# RF Remote Control Unit SEAV

for LINAK TECH-systems

Installation instructions



## Foreword

Dear producer,

Thank you for choosing an actuator system from LINAK®. LINAK systems consist of high-tech products based on many years' experience of manufacturing and developing actuators, electrical control boxes, control systems and chargers.

This Instruction Manual explains how to install and set an RF Remote Control Unit of type SEAV for a TECH-system.

Before our products leave the factory, they are subject to a full battery of function and quality tests. In the unlikely event that you experience problems with your systems, please contact LINAK Danmark A/S on (+45) 86803611.

LINAK provides a guarantee for all of its products and systems. However, this guarantee is subject to the condition that the product is used in accordance with the specifications, that maintenance is performed correctly, and that any repairs are carried out at a workshop that is authorised to repair LINAK products.

Any alterations to the installation and use of LINAK systems may affect their operability and durability. The products may not be opened by unauthorised persons.

**LINAK Danmark A/S**  
**Mønstedsvvej 9**  
**DK-8600 Silkeborg**

**Table of contents.**

**Foreword** ..... 2

**Table of contents**..... 3

**Technical data**..... 4

    Description of the system..... 4

    Dimensions ..... 4

**Installation**..... 5

    Installing the receiver: ..... 5

**Connection**..... 6

    Set relay function (SW1) ..... 6

    Connecting receiver RXS 2224..... 7

        CB8-A / CB8-T / CB9 / CB12..... 7

        TR-EM-208 ..... 8

        TR-EM-239 ..... 8

        TR-EM-288 ..... 8

    Coding transmitter (control unit) TXS2..... 9

        Pairing transmitter and receiver..... 9

    Reset factory settings..... 9

**Technical data**  
**Technical data**

The SEAV receiver and transmitter system comprises a two-channel transmitter and receiver:

**Transmitter:**

Model description:	TXS 2
Power supply, alkaline battery:	12 VDC (23A)
Transmission frequency:	433.92 Mhz
Combinations:	1024 (12-bit code)
Max. consumption:	25 mA
Operating temperature:	-20...+70°C

**Receiver:**

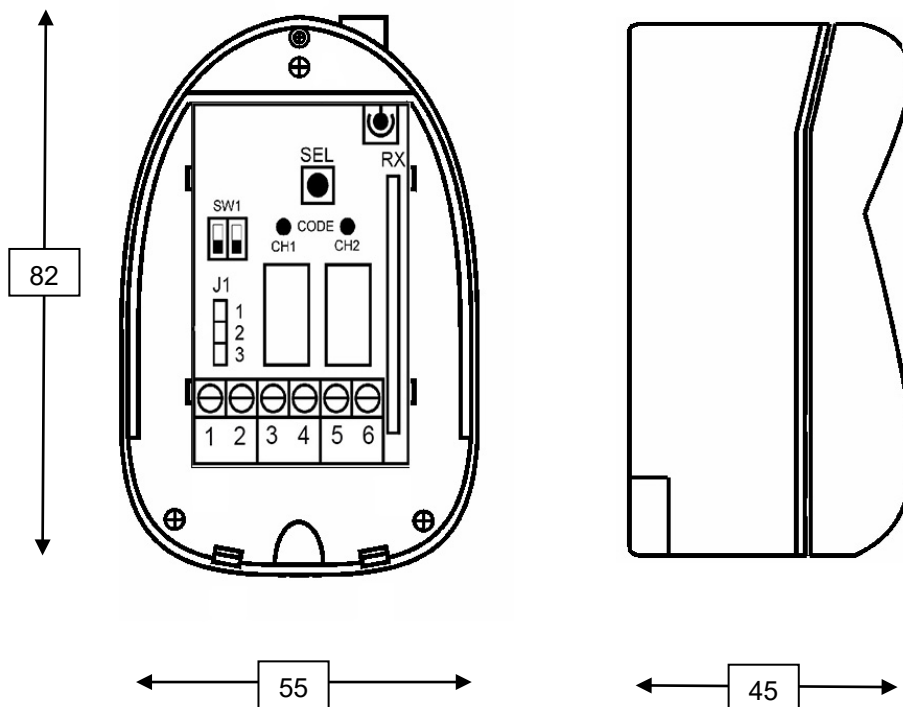
Model description:	RXS 2224
Supply:	12/24 V AC/DC
Max. consumption:	5 W
Receiver frequency:	433.92 Mhz
Circuit:	30 VDC
Operating temperature:	-20...+70°C
Range:	50 – 100 m
Ingress Protection rating:	IP 54

**Description of the system**

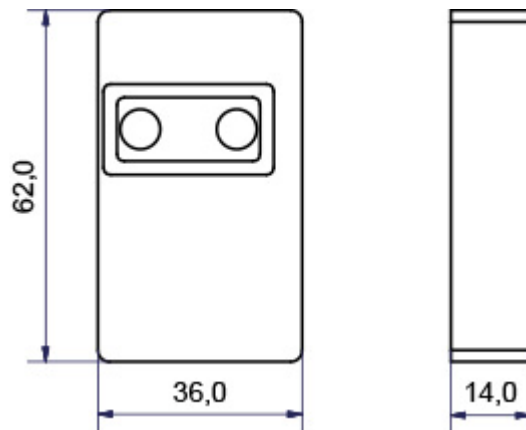
The SEAV receiver and transmitter system is intended for use in a TECH actuator solution to facilitate remote control of the system. The system uses radio frequencies to communicate between transmitter and receiver.

**Dimensions**

Receiver; RXS 2224



**Transmitter; TXS 2**

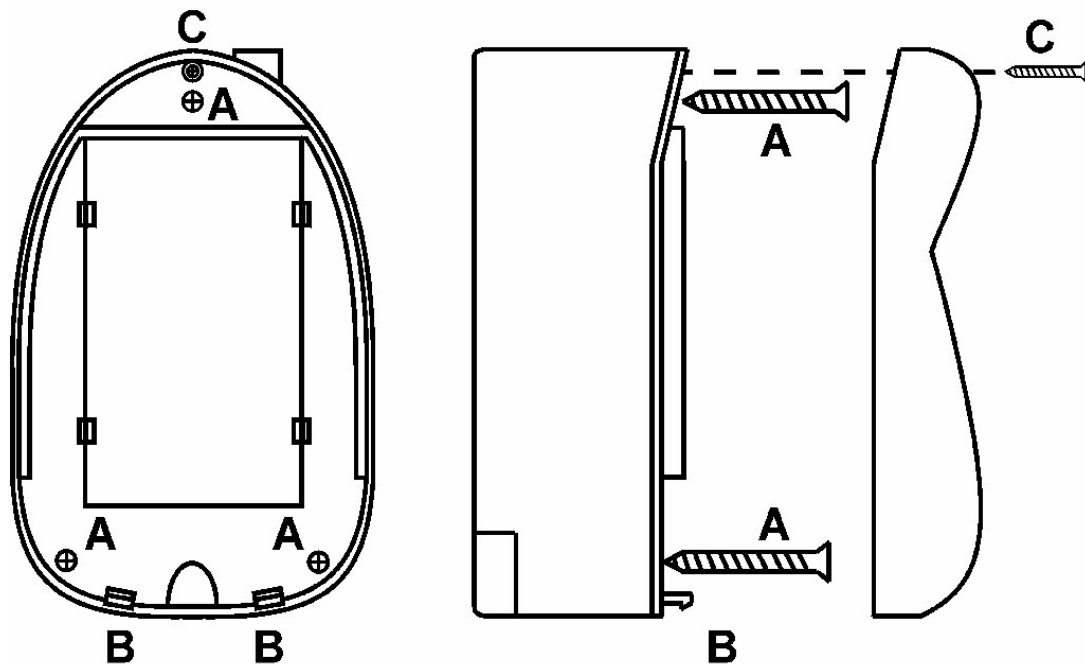


**Installation**

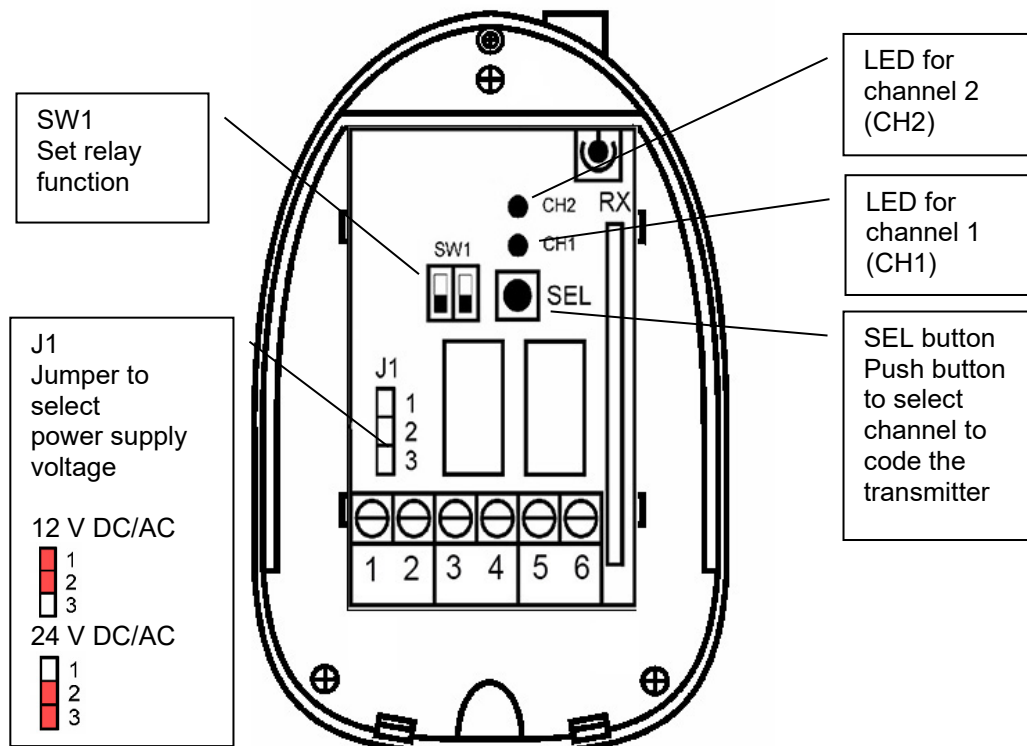
To achieve optimal conditions for communication between transmitter and receiver, it is important to choose transmitter location with care. Range is determined not solely by the technical specifications of the units in question. The range may therefore vary depending on radio-electrical conditions at the installation site.

**Installing the receiver:**

To remove receiver cover, unscrew screw C. Then, using the 3 screw holes (labelled A), mount the transmitter with three suitable screws.



## Connection



Terminal 1:	Supply +12/24 V DC/AC
Terminal 2:	Supply – 0V
Terminal 3:	Output channel 1
Terminal 4:	Output channel 1
Terminal 5:	Output channel 2
Terminal 6:	Output channel 2

### Set relay function (SW1)



Monostable function = Active while the transmitter button is pressed and held.



Remote-controlled SEL button = Monostable function – can be used to code new transmitter.



120 sec. delay circuit = Active for 120 sec. after the button is released.



Bistable function = changeover relay function.

### Connecting receiver RXS 2224

The receiver must be connected in accordance with the connection diagrams (see below) for the following LINAK control boxes and third-party controllers

LINAK control boxes:

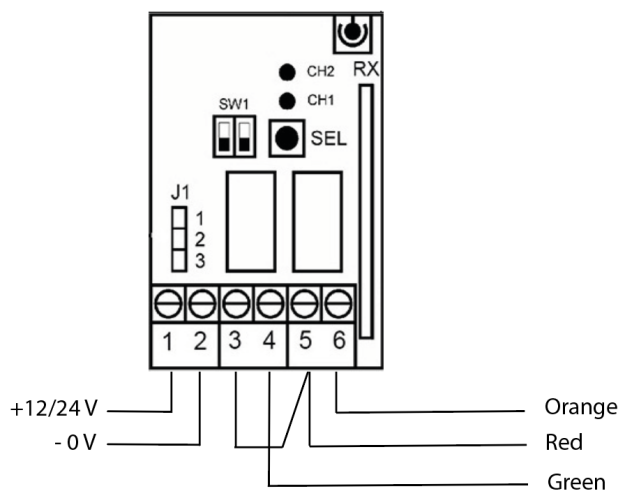
- CB8-A
- CB8-T
- CB9
- CB12

Third-party controllers:

- TR-EM-208
- TR-EM-239
- TR-EM-288

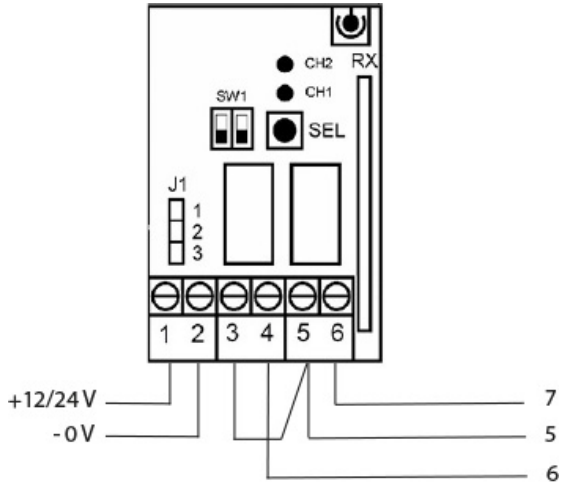
#### LINAK control boxes: CB8-A / CB8-T / CB9 / CB12

The above-mentioned LINAK control boxes use a DIN connector for control. You can order a cable with DIN connectors for use between control box and receiver from LINAK Danmark A/S. Article no. 0015751

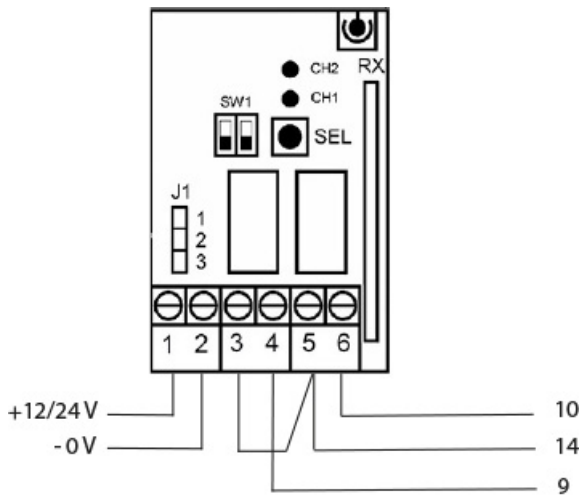


**Third-party controllers**

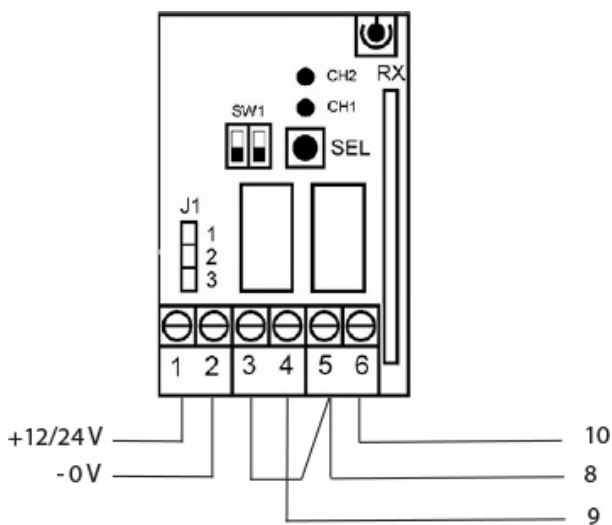
**TR-EM-208**



**TR-EM-239**



**TR-EM-288**





### Coding transmitter (control unit) TXS2

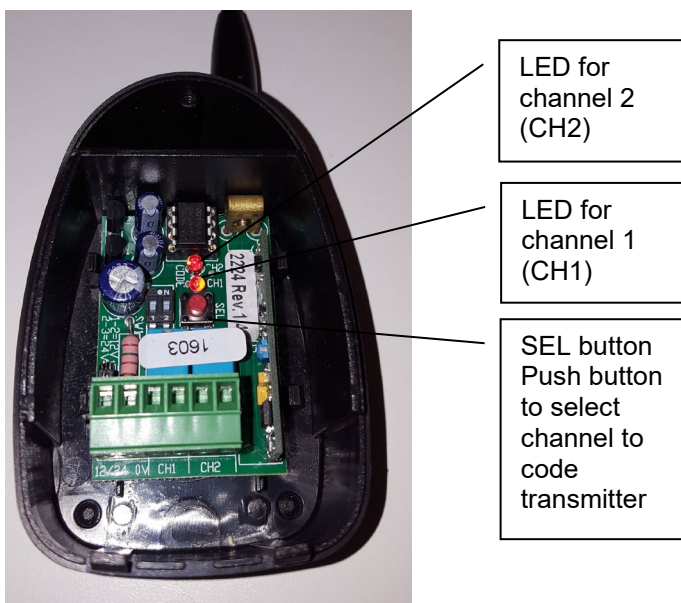
Transmitters for use in the system must be coded individually. Each transmitter must have its own code, which can be changed by moving the positions of the 10 switches so that the pattern on each transmitter is different.



### Pairing transmitter and receiver

To pair the respective transmitters to the receiver:  
Press SEL button once. LED for CH1 flashes. Then press button 1 on the transmitter (control unit). Constant light in LED for CH1 when pairing is completed. Press twice on the SEL button to repeat same procedure for CH2.

**NB!** Disconnect the receiver's antenna before pairing transmitters (control units).



### Reset factory settings

To delete all codes recorded in the receiver, press and hold the SEL button for 5 sec. When the unit is reset, the LEDs for CH1 and CH2 respectively will flash 3 times.