



# Flange mounting bracket User manual

# Contents

Preface .....	3
LINAK application policy.....	4

## Chapter 1

Safety instructions .....	5
---------------------------	---

## Chapter 2

Mounting guidelines.....	6
Mounting of the bracket .....	7

## Chapter 3

Specifications .....	10
Usage .....	10
Dimensions .....	11-12
FMB Ordering example .....	13

## Chapter 4

Maintenance.....	14
Repair .....	14
Main groups of disposal .....	14
Warranty .....	14
Adresses .....	16

## **Preface**

Dear User,

We are delighted that you have chosen a product from LINAK®.

LINAK systems are high-tech products based on many years of experience in the manufacture and development of actuators, electric control boxes, controls, and chargers.

This user manual does not address the end-user, but is intended as a source of information for the manufacturer of the equipment or system only, and it will tell you how to install, use and maintain your LINAK electronics. It is the responsibility of the manufacturer of the end-use product to provide a User Manual where relevant safety information from this manual is passed on to the end-user.

We are sure that your LINAK product/system will give you many years of problem-free operation. Before our products leave the factory they undergo full function and quality testing. Should you nevertheless experience problems with your LINAK product/system, you are always welcome to contact your local dealer. LINAK subsidiaries and some distributors situated all over the world have authorised service centres, which are always ready to help you.

LINAK provides a warranty on all its products. This warranty, however, is subject to correct use in accordance with the specifications, maintenance being done correctly and any repairs being carried out at a service centre, which is authorised to repair LINAK products.

Changes in installation and use of LINAK products/systems can affect their operation and durability. The products are not to be opened by unauthorised personnel.

The User Manual has been written based on our present technical knowledge. We are constantly working on updating the information and we therefore reserve the right to carry out technical modifications.

**LINAK A/S**

## **LINAK application policy**

The purpose of the application policy is to define areas of responsibilities in relation to applying a LINAK product defined as hardware, software, technical advice, etc. related to an existing or a new customer application.

LINAK products as defined above are applicable for a wide range of applications within Medical, Furniture, Desk, and Industry areas. Yet, LINAK cannot know all the conditions under which LINAK products will be installed, used, and operated, as each individual application is unique.

The suitability and functionality of the LINAK product and its performance under varying conditions (application, vibration, load, humidity, temperature, frequency, etc.) can only be verified by testing, and shall ultimately be the responsibility of the LINAK customer using any LINAK product.

LINAK shall be responsible solely that LINAK products comply with the specifications set out by LINAK and it shall be the responsibility of the LINAK customer to ensure that the specific LINAK product can be used for the application in question.

# Chapter 1



## Safety instructions

Please read this safety information carefully:

Be aware of the following three symbols throughout the user manual:



### Warning!

Failing to follow these instructions can cause accidents resulting in serious personal injury.



### Recommendations

Failing to follow these instructions can result in the actuator suffering damage or being ruined.



### Additional information

Usage tips or additional information that is important in connection with the use of the actuator.

Furthermore, ensure that all staff who are to connect, mount, or use the actuator are in possession of the necessary information and that they have access to this user manual.

Persons who do not have the necessary experience or knowledge of the product/products must not use the product/products. Besides, persons with reduced physical or mental abilities must not use the product/products, unless they are under surveillance or they have been thoroughly instructed in the use of the apparatus by a person who is responsible for the safety of these persons.

Moreover, children must be under surveillance to ensure that they do not play with the product.

### **Before you start mounting/dismounting, ensure that the following points are observed:**

- The actuator to be mounted is not in operation.
- The bracket is free from loads that could be released during this work.

### **Before you put the actuator into operation, check the following:**

- The bracket is correctly mounted as indicated in the relevant user instructions.
- The equipment can be freely moved over the actuator's whole working area.

### **During operation, please be aware of the following:**

- Only use the bracket within the specified working limits.

### **When the equipment is not in use:**

- Check the bolts regularly to ensure the bolts are probably tightened.



## Recommendations

- The flange mounting bracket is designed for supporting forces up to 10,000N push/pull
- If irregularities are observed, the bracket must be replaced
- Make sure to have the specific actuator user manual ready when mounting the bracket.

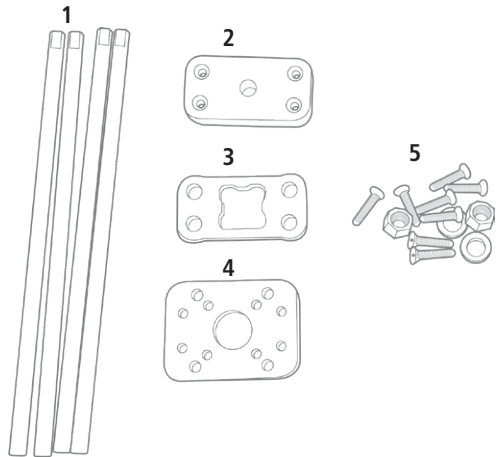
# Chapter 2

## Mounting guidelines

LINAK® flange mounting bracket is quickly and easily mounted with few steps.

### Parts:

- 1 Bars: 4 pcs
- 2 Top plate: 1 pcs
- 3 Middle plate: 1pcs \*
- 4 Bottom plate: 1 pcs \*\*
- 5 Bag with screws: 1 pcs
  - A. 8 pcs screw M8x40 A2 ISO14581
  - B. 4 pcs screw M5x10 A2 ISO4027
  - C. 2 pcs NUT M16x1.5 A2 DIN934
  - D. 2 pcs SPACER M16 A2 DIN125A



\* The middle plate is an option for the flange mounting bracket, thus it is not always in the packet.

\*\* Can vary from the picture.

### Tools:

2,5 Allen Key

Screw driver TX 45

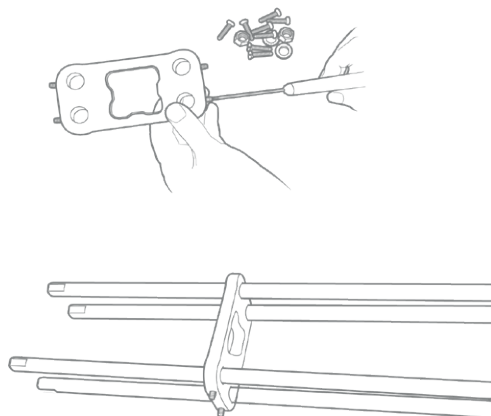
Wrench 24 mm

## Mounting of the bracket

### Step 1:

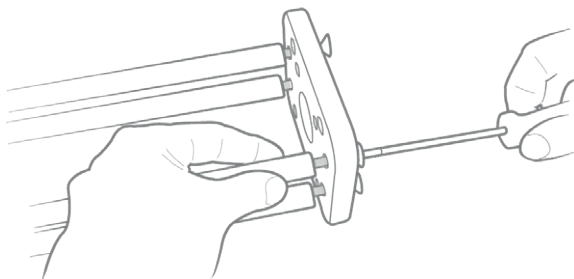
Jump this step if:  
You are not mounting the middle  
plate in the bracket.

Mount the four screws **B** loosely in  
the middle plate, and insert the four  
bars.



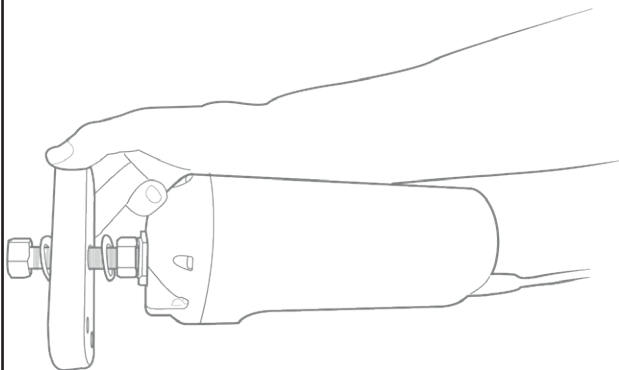
### Step 2:

Mount the four bars with the bottom  
plate, using four screws **A** loosely.



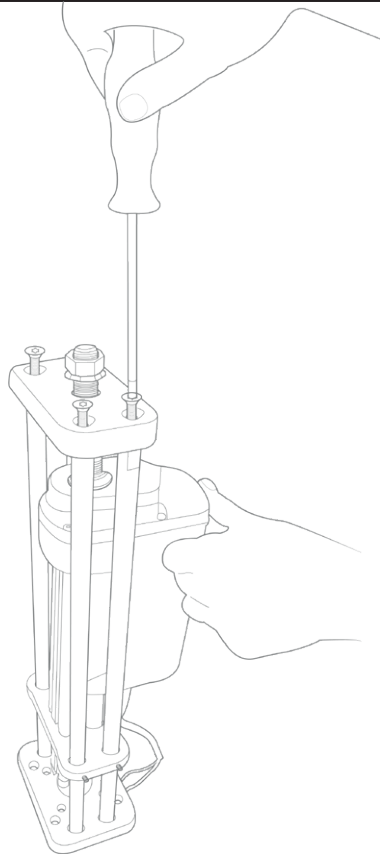
### Step 3:

Slide the top plate over the threaded  
back fixture, with the nuts **C** and  
spacer **D** placed as shown.



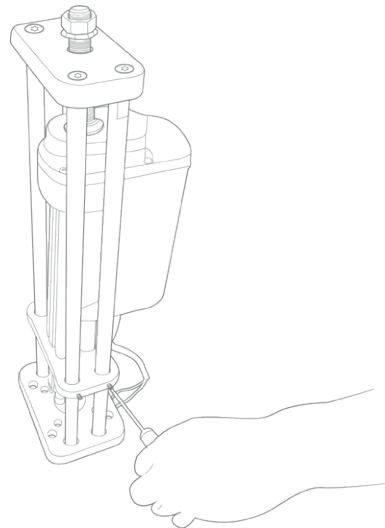
**Step 4:**

Mount the top plate with four bars. Then tighten the nuts on the back fixture loosely around the top plate..



**Step 5:**

Adjust the actuator inside the bracket into a suitable position, then tighten the middle plate using a screwdriver with 45 torque.



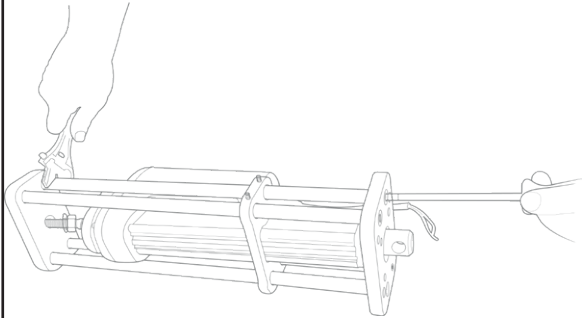


**Step 6:**

Tighten the bars completely to the top and bottom plates.

It is recommended that final adjustment of nut C is done when the bracket and actuator is mounted on the application.

The nuts C are to be tightened with a screwdriver with 45 torque after the bracket is mounted on the application.

**Final result**

# Chapter 3

## Specifications

Surface treatment:                      Stainless steel AISI 304



The bracket is designed for actuator thrust up to 10.000N push/pull. A long actuator backfixture is required in order to adjust the position of the actuator in the bracket.

### Usage:

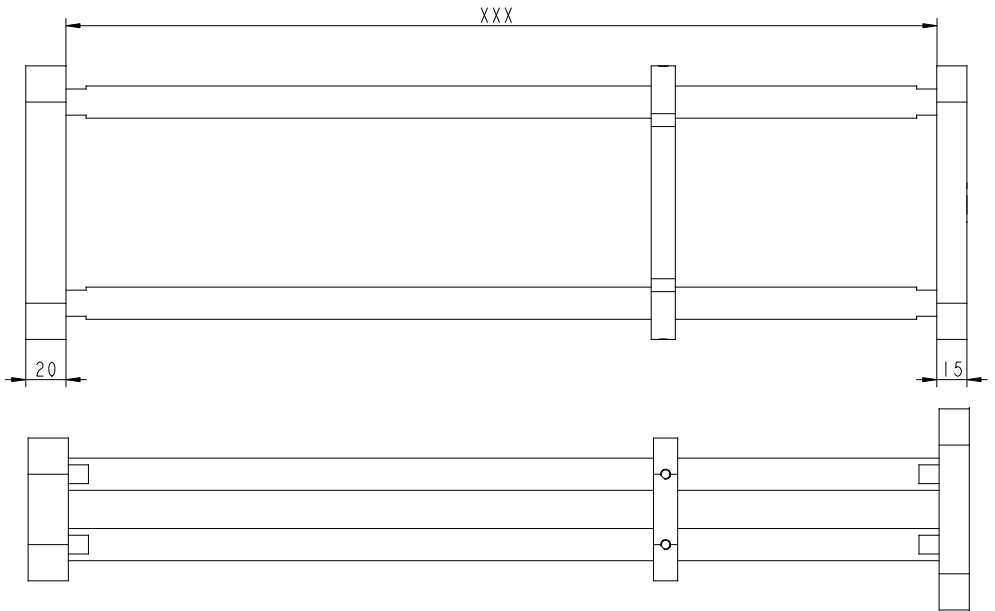
- The bracket is compatible with various actuators. .

### Bracket compatibility overview

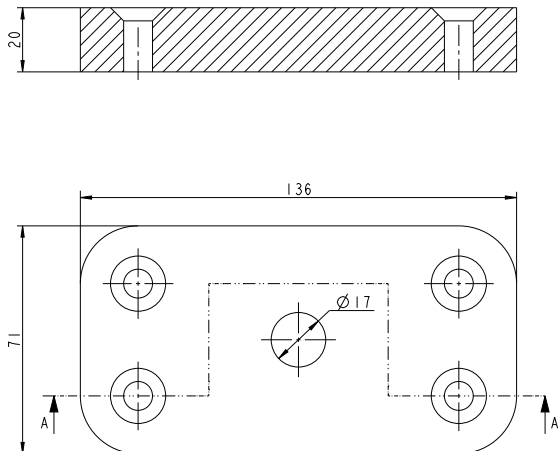
	LA12	LA14	LA25	LA33	LA36	LA37
AISI304					x	x

# Dimensions

## Bracket:

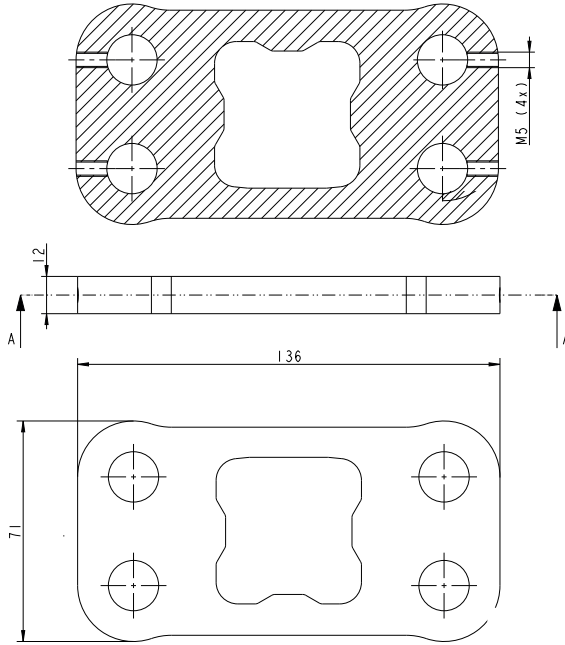


## Top plate:



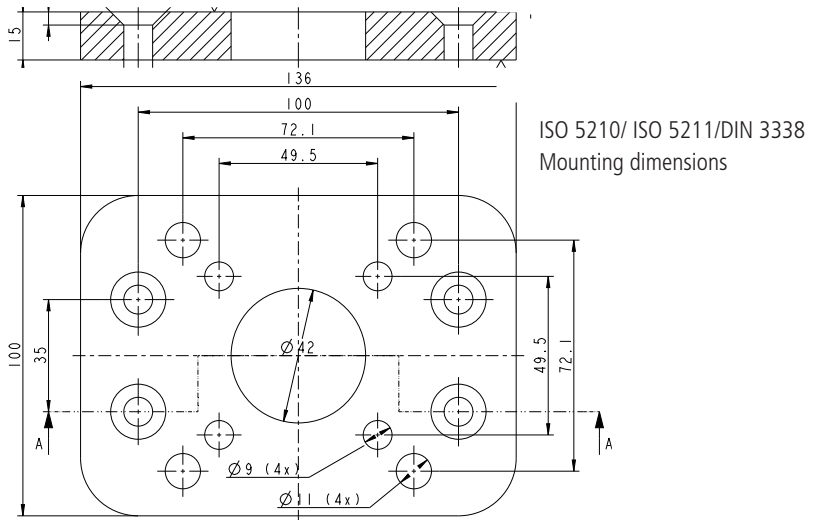
## Dimensions

### Middle plate:



The middle plate is optional, it is compatible with the actuator LA36.

### Bottom plate:



The bracket fits with these standards in regards to the interface. However we do not comply to the complete standard. The bracket interface dimensions are in accordance with the industry standards ISO 5210 and ISO 5211, and it fits with the flange types F07 and F10. The International Standards specifies requirements for the attachment of actuators to industrial valves.

## Ordering example

Bracket type

FMB

Material

1

1 = Stainless Steel AISI 304

Top plate:

1

1 = M16 hole

Middle plate:

0

0 = No

1 = Middle plate, LA36

Bottom plate:

1

1 = F7/F10, \*

Length:

0450

0450 = 450mm

0600 = 600mm

Chosen item number:

FMB11010450

\* The bracket interface dimensions are in accordance with the industry standards ISO 5210 and ISO 5211, and it fits with the flange types F07 and F10.



All brackets are delivered with stainless steel screws for bracket assembly and actuator mounting into the bracket.

# Chapter 4

## Maintenance

- We recommend to check the bolts regularly to ensure the bolts are probably tightened.

## Repair

If there is a need for repairs, make sure to check the mounting guidelines for correct assembling.

## Main groups of disposal

LINAK's products may be disposed of, possibly by dividing them into different waste groups for recycling or combustion.

Product	Metal scrap	Cable scrap	Electronic scrap	Plastic recycling or combustion
Flange mounting bracket	X			

We recommend that our product is disassembled as much as possible at the disposal and that you try to recycle it.

## Warranty

There is an 18 months' warranty on TECHLINE products against manufacturing faults calculated from the production date of the individual products. LINAK's warranty is only valid in so far as the equipment has been used and maintained correctly and has not been tampered with. Furthermore, the bracket must not be exposed to violent treatment. In the event of this, the warranty will be ineffective/invalid. For further details, please see standard terms of sale and delivery for LINAK A/S.



**Note:**

Make sure to only authorised LINAK® products in the bracket. In case the bracket is repaired with unauthorised LINAK® products, the warranty will be invalid.



## FACTORIES

### China

LINAK (Shenzhen) Actuator Systems, Ltd.  
Phone: +86 755 8610 6656  
Phone: +86 755 8610 6990  
www.linak.cn

### Denmark - Headquarters

LINAK A/S  
Phone: +45 73 15 15 15  
Fax: +45 74 45 80 48  
Fax (Sales): +45 73 15 16 13  
www.linak.com

### Slovakia

LINAK Slovakia s.r.o.  
Phone: +421 51 7563 444  
www.linak.sk

### Thailand

LINAK APAC Ltd.  
Phone: +66 33 265 400  
www.linak.com

### USA

**LINAK U.S. Inc.**  
Americas Headquarters  
Phone: +1 502 253 5595  
Fax: +1 502 253 5596  
www.linak-us.com  
www.linak-latinamerica.com

## SUBSIDIARIES

### Australia

LINAK Australia Pty. Ltd  
Phone: +61 3 8796 9777  
Fax: +61 3 8796 9778  
www.linak.com.au

### Austria

LINAK Repräsentanz - Österreich (Wien)  
Phone: +43 (1) 890 7446  
Fax: +43 (1) 890 744615  
www.linak.at - www.linak.hu

### Belgium

LINAK Actuator-Systems NV/SA  
(Belgium & Luxembourg)  
Phone: +32 (0)9 230 01 09  
www.linak.be - www.fr.linak.be

### Brazil

LINAK Do Brasil Comércio De Atuadores Ltda.  
Phone: +55 (11) 2832 7070  
Fax: +55 (11) 2832 7060  
www.linak.com.br

### Canada

LINAK Canada Inc.  
Phone: +1 502 253 5595  
Fax: +1 416 255 7720  
www.linak-us.com

### Czech Republic

LINAK C&S s.r.o.  
Phone: +42 058 174 1814  
Fax: +42 058 170 2452  
www.linak.cz - www.linak.sk

### Denmark - International

LINAK - International  
Phone: +45 73 15 15 15  
www.linak.com

### Denmark - Sales

LINAK DANMARK A/S  
Phone: +45 86 80 36 11  
Fax: +45 86 82 90 51  
www.linak.dk

### Finland

LINAK OY  
Phone: +358 10 841 8700  
www.linak.fi

### France

LINAK FRANCE E.U.R.L.  
Phone: +33 (0) 2 41 36 34 34  
Fax: +33 (0) 2 41 36 35 00  
www.linak.fr

### Germany

LINAK GmbH  
Phone: +49 6043 9655 0  
Fax: +49 6043 9655 60  
www.linak.de

### India

LINAK A/S India Liaison Office  
Phone: +91 120 4531797  
Fax: +91 120 4786428  
www.linak.in

### Ireland

LINAK UK Limited (Ireland)  
Phone: +44 (0)121 544 2211  
Fax: +44 (0)121 544 2552  
+44 (0)796 855 1606 (UK Mobile)  
+35 387 634 6554  
(Republic of Ireland Mobile)  
www.linak.co.uk

### Italy

LINAK ITALIA S.r.l.  
Phone: +39 02 48 46 33 66  
Fax: +39 02 48 46 82 52  
www.linak.it

### Japan

LINAK K.K.  
Phone: 81-45-533-0802  
Fax: 81-45-533-0803  
www.linak.jp

### Malaysia

LINAK Actuators Sdn. Bhd.  
Phone: +60 4 210 6500  
Fax: +60 4 226 8901  
www.linak.my

### Netherlands

LINAK Actuator-Systems B.V.  
Phone: +31 76 5 42 44 40  
www.linak.nl

### New Zealand

LINAK New Zealand Ltd  
Phone: +64 9580 2071  
Fax: +64 9580 2072  
www.linak.com.au

### Norway

LINAK Norge AS  
Phone: +47 32 82 90 90  
www.linak.no

### Poland

LINAK Polska  
LINAK Danmark A/S (Spółka Akcyjna)  
Phone: +48 22 295 09 70 /  
+48 22 295 09 71  
www.linak.pl

### Republic of Korea

LINAK Korea Ltd.  
Phone: +82 2 6231 1515  
Fax: +82 2 6231 1516  
www.linak.kr

### Russia

LINAK LLC  
Phone: +7 495 780 3161  
Fax: +7 495 687 1426  
www.linak.ru

### Spain

LINAK Actuadores, S.L.U  
Phone: +34 93 588 27 77  
Fax: +34 93 588 27 85  
www.linak.es

### Sweden

LINAK Scandinavia AB  
Phone: +46 8 732 20 00  
Fax: +46 8 732 20 50  
www.linak.se

### Switzerland

LINAK AG  
Phone: +41 43 388 31 88  
Fax: +41 43 388 31 87  
www.linak.ch - www.fr.linak.ch  
www.it.linak.ch

### Taiwan

LINAK (Shenzhen) Actuator systems Ltd.  
Taiwan Representative office  
Phone: +886 2 272 90068  
Fax: +886 2 272 90096  
www.linak.tw

### Turkey

LINAK İth. İhr. San. ve Tic. A.Ş.  
Phone: +90 312 4726338  
Fax: +90 312 4726635  
www.linak.com.tr

### United Kingdom

LINAK UK Limited  
Phone: +44 (0)121 544 2211  
Fax: +44 (0)121 544 2552  
www.linak.co.uk

## DISTRIBUTORS

### Argentina

NOVOTEC ARGENTINA SRL  
Phone: 011-4303-8989/8900  
Fax: 011-4032-0184  
www.novotecargentina.com

### Colombia

MEM Ltda  
Phone: +[57] (1) 334-7666  
Fax: +[57] (1) 282-1684  
www.mem.net.co

### India

Mechatronics Control Equipments  
India Pvt Ltd  
Phone: +91-44-28558484, 85  
www.mechatronicscontrol.com

### Indonesia

PT. HIMALAYA EVEREST JAYA  
Phone: +6 221 544 8956,  
+6 221 544 8965  
Fax: +6 221 619 1925  
Fax (Sales): +6 221 619 4658  
www.hej.co.id

### Iraq

Scan Medical Tech  
Phone: +964 770 470 2202

### Israel

NetivTech LTD  
Phone: +972 55-2266-535  
Fax: +972 2-9900-560  
www.netivtech.com

### Kingdom of Bahrain

Mechatronics Industrial Equipments  
Phone: +973 17280059  
Fax: +973 17910045  
www.mechatronicsbh.com

### Qatar

Mechatronics Industrial Equipments  
Phone: +974 44581155  
Fax: +974 44689135  
www.mechatronicsqatar.com

### Russia

OOO FAM  
Phone: +7 812 3319333  
Fax: +7 812 3271454  
www.fam-drive.ru

### Singapore

Servo Dynamics Pte Ltd  
Phone: +65 6844 0288  
Fax (Sales): +65 6844 0070

### South Africa

Industrial Specialised Applications CC  
Phone: +27 011 466 0346  
www.isaza.co.za

### United Arab Emirates

Mechatronics Industrial Equipments LLC  
Phone: +971 4 267 4311  
Fax: +971 4 267 4312  
www.mechatronics.ae

LINAK® accepts no responsibility for possible errors or inaccuracies in catalogues, brochures, and other material. LINAK reserves the right to change its products without prior notice. LINAK cannot guarantee product availability and reserves the right to discontinue the sale of any product. The user is responsible for determining the suitability of LINAK products for a specific application. All sales are subject to the 'Standard Terms of Sale and Delivery', available on LINAK websites.

LINAK and the LINAK logotype are registered trademarks of LINAK A/S. All rights reserved.



WE IMPROVE YOUR LIFE