



WiFi2LIN User manual

Contents

Preface.....	3
Important information	4
Safety instructions	4
Only for EU markets	7
Only for Non EU markets	7
Misuse	7
Informations importantes	8
Consignes de sécurité	8
Seulement pour les marchés au sein de l'UE	9
Seulement pour les marchés hors UE	9
Utilisation abusive	9
Manufacturer's declaration	10
Declaration of Conformity	11
Misc. on the HOMELINE® system	12
Warranty.....	12
Maintenance.....	12
Description of the WiFi2LIN box	13
Installation	14
Preparing connection	14
Mounting	14
Finishing connection	14
Configuration	15
LED overview	15
LED1 - internet and LINAK IoT cloud	15
LED2 - actuator system and configuration	15
Resetting	16
Software updates	16
Disposal of LINAK products	17
Main groups of disposal	17
Disposal of batteries	17
Drawing appendix	18
Label	19
Addresses	20

Preface

Dear User,

We are delighted that you have chosen a product from LINAK®.

LINAK systems are high-tech products based on many years of experience in the manufacture and development of actuators, electric control boxes, controls and chargers.

This User Manual does not address the end-user. It is intended as a source of information for the manufacturer of the equipment or system only, and it will tell you how to install, use and maintain your LINAK electronics. It is the responsibility of the manufacturer of the end-use product to provide a User Manual where relevant safety information from this manual is passed on to the end-user.

We are sure that your LINAK product will give you many years of problem-free operation.

Before our products leave the factory they undergo full function and quality testing. Should you nevertheless experience problems with your systems, you are always welcome to contact your local dealer.

LINAK subsidiaries and some distributors situated all over the world have authorised service centres, which are always ready to help you.

LINAK provides a limited warranty on its products. This warranty is, however, subject to correct use in accordance with the specifications, maintenance being done correctly, and any repairs being carried out at a service centre, which is authorised to repair LINAK products. You can review the full terms of the LINAK warranty on the LINAK website www.linak.com/warranty.

Changes in installation and use of LINAK systems can affect their operation and durability. The products are not to be opened by unauthorised personnel.

The User Manual has been written based on our present technical knowledge. We are constantly working on updating the information and we therefore reserve the right to carry out technical modifications.

LINAK A/S

Important information

Important information on LINAK® products can be found under the following headings:



Warning!

Failure to comply with these instructions may result in accidents involving serious personal injury.



Failing to follow these instructions can result in the product being damaged or being destroyed.

Safety instruction



General

Safe use of the system is possible only when the operating instructions are read completely and the instructions contained are strictly observed.

Failure to comply with instructions marked with the "NOTE" symbol may result in serious damage to the system or one of its components.



It is important for everyone who is to connect, install, or use the systems to have the necessary information and access to this User Manual. Follow the instructions for mounting – risk of injury if these instructions are not followed.



The appliance is not intended for use by young children or infirm persons without supervision.



If there is visible damage on the product it must not be installed.



Note that during construction of applications, in which the actuator is to be fitted, there must be no possibility of personal injury, for example the squeezing of fingers or arms.



Assure free space for movement of application in both directions to avoid blockade.

This device complies with part 15 of the FCC Rules. Operation is subject to the following two conditions:

- (1) This device may not cause harmful interference, and**
- (2) This device must accept any interference received, including interference that may cause undesired operation**

- **Statement – for all intentional and unintentional radiators:**

Changes or modifications not expressly approved by the party responsible for compliance could void the user's authority to operate the equipment.

- **Statement for digital devices for Class B:**

NOTE: This equipment has been tested and found to comply with the limits for a Class B digital device, pursuant to part 15 of the FCC Rules. These limits are designed to provide reasonable protection against harmful interference in a residential installation. This equipment generates, uses and can radiate radio frequency energy and, if not installed and used in accordance with the instructions it may cause harmful interference to radio communications. However, there is no guarantee that interference will not occur in a particular installation. If this equipment does cause harmful interference to radio or television reception, which can be determined by turning the equipment off and on, the user is encouraged to try to correct the interference by one or more of the following measures:

- Reorient or relocate the receiving antenna.
 - Increase the separation between the equipment and the receiver.
 - Connect the equipment into an outlet on a circuit different from that to which the receiver is connected.
 - Consult the dealer or an experienced radio/ TV technician for help.
-

This device contains licence-exempt transmitter(s)/receiver(s) that comply with Innovation, Science and Economic Development Canada's licence-exempt RSS(s).

Operation is subject to the following two conditions:

(1) this device may not cause interference, and (2) this device must accept any interference, including interference that may cause undesired operation of the device.

L'émetteur/récepteur exempt de licence contenu dans le présent appareil est conforme aux CNR d'Innovation, Sciences et Développement économique Canada applicables aux appareils radio exempts de licence.

- (1) l'appareil ne doit pas produire de brouillage, et
 - (2) l'utilisateur de l'appareil doit accepter tout brouillage radioélectrique subi, même si le brouillage est susceptible d'en compromettre le fonctionnement.
-

Labeling Requirements:

This Class B digital apparatus complies with Canadian ICES-003.

Cet appareil numérique de la classe B est conforme à la norme NMB-003 du Canada.

Only for EU markets



This appliance can be used by children aged from 8 years and above and persons with reduced physical, sensory or mental capabilities or lack of experience and knowledge if they have given supervision or instruction concerning use of the appliance in a safe way and understand the hazards involved.



Children shall not play with the appliance. Cleaning and user maintenance shall not be made by children without supervision.

Only for Non EU markets



Persons who do not have the necessary experience or knowledge of the product/products must not use the product/products. Besides, persons with reduced physical, sensory or mental abilities must not use the product/products, unless they are under surveillance or they have been thoroughly instructed in the use of the apparatus by a person who is responsible for the safety of these persons.



Moreover, children must be under surveillance to ensure that they do not play with the product.

Misuse



Do not overload the actuators – this can cause danger of personal injury and damage to the system.



Do not use the system in environments other than the intended indoor use.

Informations importantes

Les informations importantes sur les produits LINAK® peuvent être trouvées dans les rubriques suivantes:



Attention!

Le non respect de ces instructions peut entraîner des accidents impliquant des blessures graves.



Ne pas suivre ces instructions peut entraîner l'endommagement ou destruction du produit.

Consignes de sécurité



Général

Le non respect de ces instructions peut entraîner des accidents impliquant des blessures graves.

Ne pas suivre ces instructions peut entraîner l'endommagement ou destruction du produit.

L'utilisation en toute sécurité du système n'est possible que si l'intégralité des instructions ont été lues et ont été strictement suivies.



Le non respect de se conformer aux instructions marquées du symbole "note" peut entraîner de graves dommages au système ou à un de ses composants.

Il est important pour tout individu qui connecte, installe, ou utilise le système d'avoir les informations nécessaires et l'accès à ce manuel d'utilisation.

Suivez les instructions pour le montage – risque de blessure si ces instructions ne sont pas suivies.



L'appareil n'est pas destiné à être utilisé par des enfants ou des personnes handicapées sans surveillance.



S'il y a des dommages visibles sur le produit, l'installation ne doit pas être effectuée.



Prendre en compte lors de la construction du matériel, dans lequel l'actionneur est incorporé, qu'il ne doit y avoir aucune possibilité de blessures corporelles, telles que la compression des doigts ou des bras.



Assurez un espace libre autour du matériel pour éviter tout blocage.

Seulement pour les marchés au sein de l'UE:



Cet appareil peut-être utilisé par des enfants âgés de 8 ans et plus, ainsi que les personnes dont les capacités physiques, sensorielles ou mentales sont réduites ou ayant un manque d'expérience et de connaissance si elles ont bénéficié d'une surveillance ou d'instructions concernant l'utilisation de l'appareil en toute sécurité et compris les risques encourus.



Les enfants ne doivent pas jouer avec l'appareil. Le nettoyage et l'entretien ne doivent pas être réalisés par des enfants sans surveillance.

Seulement pour les marchés hors UE:



Les personnes qui n'ont pas l'expérience ou les connaissances nécessaires sur le ou les produit(s) ne doivent pas le ou les utiliser. Par ailleurs, les personnes ayant des capacités physiques, sensorielles ou mentales réduites ne doivent pas utiliser le ou les produit(s), sauf si elles sont sous surveillance ou ont suivi une formation approfondie de l'utilisation de l'appareil par l'individu responsable de la sécurité de ces personnes.



De plus, les enfants doivent-être sous surveillance afin de s'assurer qu'ils ne jouent pas avec le produit.

Utilisation abusive:



Ne surchargez pas les actionneurs – cela peut engendrer un risque de blessures corporelles et endommager le système.



Ne pas utiliser le système dans des environnements autres que l'utilisation intérieure prévue.

Manufacturer's declaration

DECLARATION OF INCORPORATION OF PARTLY COMPLETED MACHINERY

LINAK A/S
Smedevænget 8
DK - 6430 Nordborg

Herewith declares that LINAK HOMELINE® products as characterized by the following models and types:

Control Boxes	CB9H, CBH Advanced, CBH Basic
Linear Actuators	LA10, LA18, LA27, LA29, LA31 HOMELINE, LA40 HOMELINE
Dual Actuators	TD3, TD4, TD5
Controls	HB10, HB10 Wireless, HB40, HB60, HC05 Wireless, HC10 Wireless, HC20 Wireless, HC30 Wireless
Accessories	BLE2LIN, DC CONNECTOR, LED Lightbox, LED Light Rail, Lightplug001, Massage Motor, SMPS001, SMPS002, SMPS006

comply with the following parts of the Machinery Directive 2006/42/EC, ANNEX I, *Essential health and safety requirements relating to the design and construction of machinery*:

1.5.1 Electricity supply

The relevant technical documentation is compiled in accordance with part B of Annex VII and that this documentation or part hereof will be transmitted by post or electronically to a reasoned request by the national authorities.

This partly completed machinery must not be put into service until the final machinery into which it is to be incorporated has been declared in conformity with the provisions of the Machinery Directive 2006/42/EC where appropriate.

Nordborg, 2019-05-27



LINAK A/S
John Kling, B.Sc.E.E.
Certification and Regulatory Affairs
Authorized to compile the relevant technical documentation

Original Declaration

DECLARATION OF CONFORMITY

LINAK A/S
Smedevænget 8
DK - 6430 Nordborg

Herewith declares that LINAK DESKLINE® products as characterized by the following models and types:

WiFi2LIN01x

(Where - x can be 1 or 2: '1' means HOMELINE WiFi module, '2' means DESKLINE WiFi module)

Complies with RED Directive: 2014/53/EU according to following standards:

Art.3.1 (a) Health: EN 62311:2008,

Art.3.1 (a) Safety: EN 62368-1:2014/A11:2017,

Art. 3.1(b) EMC: ETSI EN 301 489-1 V2.2.3 (2019-11), Draft ETSI EN 301 489-17 V3.2.2 (2019-12) and

Art. 3.2 Radio: ETSI EN 300 328 V2.2.2 (2019-07)

Complies with RoHS2 Directive 2011/65/EU according to the standard:

EN 50581:2012

Nordborg, 2020-02-24

LINAK A/S
Dragan Macura,
Regulatory Compliance Manager
Deskline and Homeline Segments
Authorized to compile the relevant technical documentation

Use this Bluetooth® device in an environment with temperature between -10 and 40 °C (storage: -10 to +70 °C). Otherwise, the device may be damaged. It can be operated at altitudes up to 2000 m.

Hereby, LINAK A/S declares that the radio equipment type WiFi2LIN is compliant with Directive 2014/53/EU.



The equipment is a Bluetooth® device powered by 24 to 29 V DC input charged via a DC cable.

Operating Frequency Range	The maximum RF Output Power
Bluetooth 2402 - 2480 MHz	9.06 dBm
WiFi 2412 - 2472 MHz	17.88 dBm

If required, the China RoHS mark must be obtained by the manufacturer of the end products. LINAK A/S can supply the required material information on our products.

For more information, visit: <https://www.linak.com/about-linak/csr/declarations/>

or contact: chemicalcompliance@linak.com

Misc. on the HOMELINE® system

Maintenance

Clean dust and dirt on the outside of the system at appropriate intervals and inspect for damage and breaks. Inspect the connections, cables, and plugs and check for correct functioning as well as fixing points.



The cleaners and disinfectants must not be highly alkaline or acidic (pH value 6-8).

ETL-marking

Due to space limitations, the complete ETL-marking demands are not represented on the marking plates.

The full ETL Recognized Component markings are shown here.



C/N 120690

Conforms to UL962
Cert. to CSA Std. C22.2 No. 68-09

ETL Recognized Component mark for Canada and United States



C/N 9901916

Conforms to UL962
Cert. to CSA Std. C22.2 No. 68-09

ETL Recognized Component mark for Canada and United States



C/N 4008003

Conforms to UL962
Cert. to CSA Std. C22.2 No. 68-09

ETL Recognized Component mark for Canada and United States



C/N 4008005

Conforms to UL962
Cert. to CSA Std. C22.2 No. 68-09

ETL Recognized Component mark for Canada and United States



C/N 4008671

Conforms to UL962
Cert. to CSA Std. C22.2 No. 68-09

ETL Recognized Component mark for Canada and United States

Description of the WiFi2LIN box

The WiFi2LIN box enables connection of HOMELINE® applications to a Wi-Fi connectivity. It opens up for a world of IoT (Internet of Things) solutions, for example Voice Control, which can be added to support the features of our products, and make them part of the user's smart home.

Via the LINAK cloud, the WiFi2LIN box receives data/commands from the voice control unit and makes the bed move to the desired position.

The WiFi2LIN box is compatible with the LA18 IC Advanced, the TD4 Advanced and the TD5 Advanced.

The WiFi2LIN box is easy to connect. Simply connect the box to the application using a DC cable for power and a LINbus cable for communication, and apply power.

Use the Bed Control IoT app to set up the box to the private network. Via the network, the box connects to the LINAK® generic cloud, where an anonymous registration of the bed is made. In the LINAK® HOMELINE application cloud, the user account information is stored, and the user account and the bed will be linked. The user must then link this user account to his/her smart home system account, so when the user uses a voice control in his/her smart home, the right bed is operated.



Usage:

- Compatible with:
 - LA18 IC Advanced
 - TD4 Advanced
 - TD5 Advanced
 - Bed Control IoT app (only available via request to LINAK A/S)
- Ambient temperature: 10 to 40 °C
- Storage and transportation temperature: -10 to +70 °C
- Complies with FCC (Part 15), IC, and RED
- Complies with EN 61000-6-1, EN 61000-6-3
- Complies with PSE and KC
- Bluetooth® certified

Installation

Preparing connection

Ensure to use cables of sufficient lengths so they can stretch with the actuator system movement.

1. Connect a DC cable to one of the DC sockets on the WiFi2LIN box.
2. Connect a LINbus cable to one of the RJ45 sockets on the WiFi2LIN box.
3. Ensure to make cable reliefs by placing the cables in the grooves in the bottom of the WiFi2LIN box.

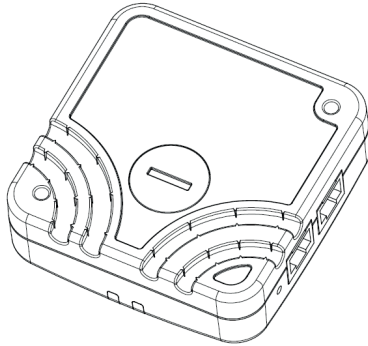


Figure 2 Grooves for cable reliefs

The additional ports (DC and RJ45) available on the WiFi2LIN box are for connection of accessories as the WiFi2LIN box occupies both ports on the actuator.

Mounting

1. Mount the WiFi2LIN box in a suitable place using two screws with the following specifications:
Thread: Max. 3.8 mm
Head: Max. 8.5 mm
Length: Min. 28 mm
2. Mount the WiFi2LIN box so the LED light colours and states are easily identified.

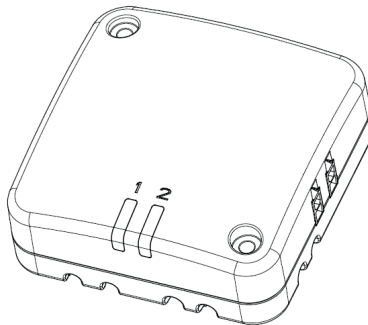


Figure 3 LEDs and mounting holes

Finishing connection

1. Connect the DC cable to the actuator system.
2. Connect the LINbus cable to the actuator system.
3. Connect the SMPS (Switch Mode Power Supply) to the actuator system.
4. Connect the SMPS to mains and pair it to the Bed IoT app.

Configuration

Use the Bed IoT App for configuring the WiFi2LIN box.

Configuring

1. Plug in the Switch Mode Power Supply to power-up the bed and the WiFi2LIN box.

The bed and the WiFi2LIN box both enter pairing mode.

2. Connect the WiFi2LIN box to the network via the Bluetooth® connection and the Bed IoT App.

During configuration and use, the WiFi2LIN box indicates various situations/events, for example connection state and errors, via the two LEDs on the box. LED1 is for the internet and the LINAK IoT cloud, while LED2 is for the actuator system and the configuration.

After power-up, LED2 is dedicated to Bluetooth® activity. Then it switches to red, yellow or green to communicate the actuator system state. When both LEDs have been constant green for three minutes, they both turn off to be available for status indication as described in the tables below.

LED overview

LED1 - internet and LINAK IoT cloud

Colour	Light state	Box state	Description
Red	Constant	No internet	State during power-up.
Yellow	Blinking at 1 Hz	Connecting to Wi-Fi	State while connecting to Wi-Fi.
Yellow	Constant	Connected to Wi-Fi	State when an IP address is obtained, the internet is working and Wi-Fi is configured.
Green	Blinking at 1 Hz	Connecting to LINAK IoT cloud	State while establishing connection to LINAK IoT cloud.
Green	Constant	Connected to LINAK IoT cloud	State when connected to LINAK IoT cloud.
White	Blinking at 1 Hz	Updating firmware	State while WiFi2LIN is updating firmware.
White	Constant for 2 seconds	Factory reset	State when WiFi2LIN is factory reset.

LED2 - actuator system and configuration

Colour	Light state	Box state	Description
Red	Constant	Communication error	State when error detected.
Yellow	Constant	No bed found	State during power-up. State when no bed is found.
Green	Constant	Bed found	State when bed is found.
Blue	Blinking at 1 Hz	Ready for Wi-Fi configuration via Bluetooth®	State when ready for Wi-Fi configuration via BLE.
Blue	Constant	Active Bluetooth® configuration client	State when active Bluetooth® client.
White	Constant for 2 seconds	Factory reset	State when WiFi2LIN is factory reset.

Resetting

Use a pin to reset the WiFi2LIN box to factory settings.

1. Put the pin into the pinhole next to the RJ45 sockets.
2. Press and hold for 10 seconds. Wait while the box resets to factory settings.
3. When the box is reset, the two LEDs show a white light for two seconds.

Software updates

The WiFi2LIN software is automatically updated via an over-the-air update procedure. When LINAK® releases new software, it is distributed to all registered WiFi2LIN boxes which will be updated as soon as they are online.

Disposal of LINAK products

As LINAK customers often ask us how our products can be disposed of or scrapped, we have prepared this guidance that enables a classification to different waste fractions for recycling or combustion.

Guidance

We recommend that our products be disassembled as much as possible and divided into different waste groups for recycling or combustion.

For example, waste can be sorted into metals, plastics, cable scrap, combustible material and recoverable resources.

Some of these main groups can be further divided into subgroups; e.g. metal can be divided into steel/aluminium/copper and plastic can be divided into ABS/PA/PE/PP.

As an example, the table below breaks down the different components in LINAK products to various recycling groups:

Product	Components	Recycling group
Handset/Control:	Plastic housing Cable PCB board	Plastic recycling or combustion Cable scrap or combustion Electronics scrap

By now, almost all our cast plastic parts are supplied with an interior code for plastic type and fibre contents, if any.

Main groups of disposal

Product main groups	Metal Scrap	Cable scrap	Electronics scrap	Plastic recycling or combustion	Comments
WiFi2LIN			X	X	

Disposal of batteries

"Details regarding safe disposal of used and leaking batteries:

Batteries should be disposed in accordance with appropriate federal, state and local regulations. LINAK recommends that used or leaking batteries are disposed through local recycling system. Please do not throw used or leaking batteries in normal household waste or in nature. This will cause damage to the environment.

How to deal with leaking batteries

Leaking batteries should be disposed as described above.

If leaking batteries are discovered in the product, the batteries must be removed at once to minimise damage to the product.

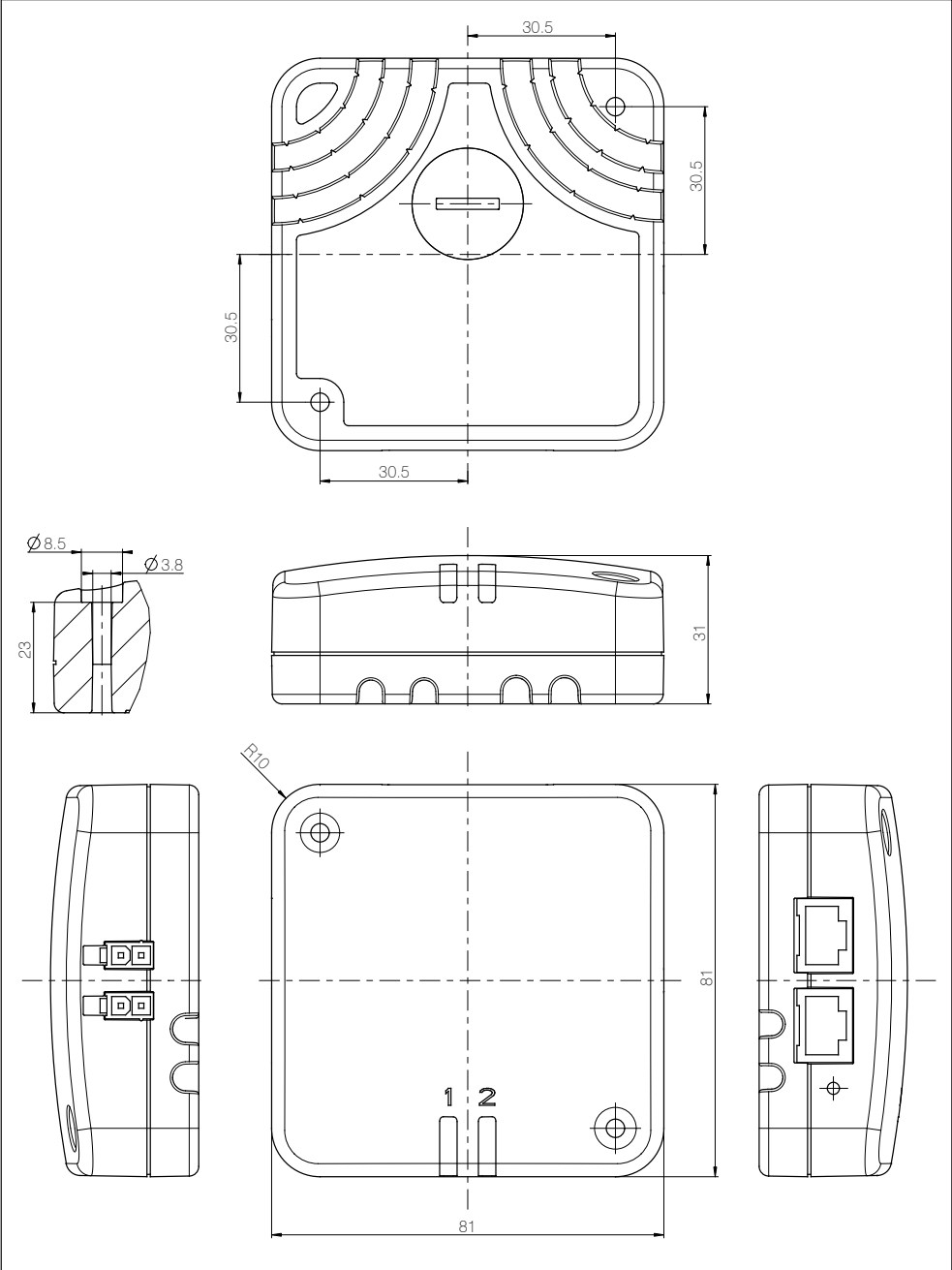
If leaking batteries are left in the product, it become defective.

It is recommended to use plastic gloves when handling leaking batteries. The contents of a leaking batteries can cause chemical burns and respiratory irritation.

If exposed to the contents of a leaking battery, please wash with soap and water. If irritation persists, please seek medical attention. In case of eye contact, please flush eyes thoroughly with water for 15 minutes and seek medical attention."

DRAWING APPENDIX

WiFi2LIN



Label

Label for WiFi2LIN



LINAK APPLICATION POLICY

The purpose of the application policy is to define areas of responsibilities in relation to applying a LINAK product defined as hardware, software, technical advice, etc. related to an existing or new customer application.

LINAK products as defined above are applicable for a wide range of applications within the Medical, Furniture, Desk and Industry areas. Yet, LINAK cannot know all the conditions under which LINAK products will be installed, used, and operated, as each individual application is unique.

The suitability and functionality of the LINAK product and its performance under varying conditions (application, vibration, load, humidity, temperature, frequency, etc.) can only be verified by testing, and shall ultimately be the responsibility of the LINAK customer using any LINAK product.

LINAK shall be responsible solely that the LINAK products comply with the specifications set out by LINAK and it shall be the responsibility of the LINAK customer to ensure that the specific LINAK product can be used for the application in question.

FACTORIES

China

LINAK (Shenzhen) Actuator Systems, Ltd.
Phone: +86 755 8610 6656
Phone: +86 755 8610 6990
www.linak.cn

Denmark - Headquarters

LINAK A/S
Phone: +45 73 15 15 15
Fax: +45 74 45 80 48
Fax (Sales): +45 73 15 16 13
www.linak.com

Slovakia

LINAK Slovakia s.r.o.
Phone: +421 51 7563 444
www.linak.sk

Thailand

LINAK APAC Ltd.
Phone: +66 33 265 400
www.linak.com

USA

LINAK U.S. Inc.
Americas Headquarters
Phone: +1 502 253 5595
Fax: +1 502 253 5596
www.linak-us.com
www.linak-latinamerica.com

SUBSIDIARIES

Australia

LINAK Australia Pty. Ltd
Phone: +61 3 8796 9777
Fax: +61 3 8796 9778
www.linak.com.au

Austria

LINAK Repräsentanz - Österreich (Wien)
Phone: +43 (1) 890 7446
Fax: +43 (1) 890 744615
www.linak.at - www.linak.hu

Belgium

LINAK Actuator-Systems NV/SA
(Belgium & Luxembourg)
Phone: +32 (0)9 230 01 09
www.linak.be - www.fr.linak.be

Brazil

LINAK Do Brasil Comércio De Atuadores Ltda.
Phone: +55 (11) 2832 7070
Fax: +55 (11) 2832 7060
www.linak.com.br

Canada

LINAK Canada Inc.
Phone: +1 502 253 5595
Fax: +1 416 255 7720
www.linak-us.com

Czech Republic

LINAK C&S s.r.o.
Phone: +42 058 174 1814
Fax: +42 058 170 2452
www.linak.cz - www.linak.sk

Denmark - International

LINAK International
Phone: +45 73 15 15 15
www.linak.com

Denmark - Sales

LINAK DANMARK A/S
Phone: +45 86 80 36 11
Fax: +45 86 82 90 51
www.linak.dk

Finland

LINAK OY
Phone: +358 10 841 8700
www.linak.fi

France

LINAK FRANCE E.U.R.L.
Phone: +33 (0) 2 41 36 34 34
Fax: +33 (0) 2 41 36 35 00
www.linak.fr

Germany

LINAK GmbH
Phone: +49 6043 9655 0
Fax: +49 6043 9655 60
www.linak.de

India

LINAK A/S India Liaison Office
Phone: +91 120 4531797
Fax: +91 120 4786428
www.linak.in

Ireland

LINAK UK Limited (Ireland)
Phone: +44 (0)121 544 2211
Fax: +44 (0)121 544 2552
+44 (0)796 855 1606 (UK Mobile)
+35 387 634 6554
(Republic of Ireland Mobile)
www.linak.co.uk

Italy

LINAK ITALIA S.r.l.
Phone: +39 02 48 46 33 66
Fax: +39 02 48 46 82 52
www.linak.it

Japan

LINAK K.K.
Phone: 81-45-533-0802
Fax: 81-45-533-0803
www.linak.jp

Malaysia

LINAK Actuators Sdn. Bhd.
Phone: +60 4 210 6500
Fax: +60 4 226 8901
www.linak.my

Netherlands

LINAK Actuator-Systems B.V.
Phone: +31 76 5 42 44 40
www.linak.nl

New Zealand

LINAK New Zealand Ltd
Phone: +64 9580 2071
Fax: +64 9580 2072
www.linak.com.au

Norway

LINAK Norge AS
Phone: +47 32 82 90 90
www.linak.no

Poland

LINAK Polska
LINAK Danmark A/S (Spółka Akcyjna)
Phone: +48 22 295 09 70 /
+48 22 295 09 71
www.linak.pl

Republic of Korea

LINAK Korea Ltd.
Phone: +82 2 6231 1515
Fax: +82 2 6231 1516
www.linak.kr

Russia

LINAK LLC
Phone: +7 495 780 3161
Fax: +7 495 687 1426
www.linak.ru

Spain

LINAK Actuadores, S.L.U
Phone: +34 93 588 27 77
Fax: +34 93 588 27 85
www.linak.es

Sweden

LINAK Scandinavia AB
Phone: +46 8 732 20 00
Fax: +46 8 732 20 50
www.linak.se

Switzerland

LINAK AG
Phone: +41 43 388 31 88
Fax: +41 43 388 31 87
www.linak.ch - www.fr.linak.ch
www.it.linak.ch

Taiwan

LINAK (Shenzhen) Actuator systems Ltd.
Taiwan Representative office
Phone: +886 2 272 90068
Fax: +886 2 272 90096
www.linak.tw

Turkey

LINAK İth. İhr. San. ve Tic. A.Ş.
Phone: +90 312 4726338
Fax: +90 312 4726635
www.linak.com.tr

United Kingdom

LINAK UK Limited
Phone: +44 (0)121 544 2211
Fax: +44 (0)121 544 2552
www.linak.co.uk

DISTRIBUTORS

Argentina

NOVOTEC ARGENTINA SRL
Phone: 011-4303-8989/8900
Fax: 011-4032-0184
www.novotecargentina.com

Colombia

MEM Ltda
Phone: +[57] (1) 334-7666
Fax: +[57] (1) 282-1684
www.mem.net.co

India

Mechatronics Control Equipments
India Pvt Ltd
Phone: +91-44-28558484, 85
www.mechatronicscontrol.com

Indonesia

PT. HIMALAYA EVEREST JAYA
Phone: +6 221 544 8956,
+6 221 544 8965
Fax: +6 221 619 1925
Fax (Sales): +6 221 619 4658
www.hej.co.id

Iraq

Scan Medical Tech
Phone: +964 770 470 2202

Israel

NetivTech LTD
Phone: +972 55-2266-535
Fax: +972 2-9900-560
www.netivtech.com

Kingdom of Bahrain

Mechatronics Industrial Equipments
Phone: +973 17280059
Fax: +973 17910045
www.mechatronicsbh.com

Qatar

Mechatronics Industrial Equipments
Phone: +974 44581155
Fax: +974 44689135
www.mechatronicsqatar.com

Russia

OOO FAM
Phone: +7 812 3319333
Fax: +7 812 3271454
www.fam-drive.ru

Singapore

Servo Dynamics Pte Ltd
Phone: +65 6844 0288
Fax (Sales): +65 6844 0070

South Africa

Industrial Specialised Applications CC
Phone: +27 011 466 0346
www.isaza.co.za

United Arab Emirates

Mechatronics Industrial Equipments LLC
Phone: +971 4 267 4311
Fax: +971 4 267 4312
www.mechatronics.ae

LINAK® accepts no responsibility for possible errors or inaccuracies in catalogues, brochures, and other material. LINAK reserves the right to change its products without prior notice. LINAK cannot guarantee product availability and reserves the right to discontinue the sale of any product. The user is responsible for determining the suitability of LINAK products for a specific application. All sales are subject to the 'Standard Terms of Sale and Delivery', available on LINAK websites.

LINAK and the LINAK logotype are registered trademarks of LINAK A/S. All rights reserved.



WE IMPROVE YOUR LIFE