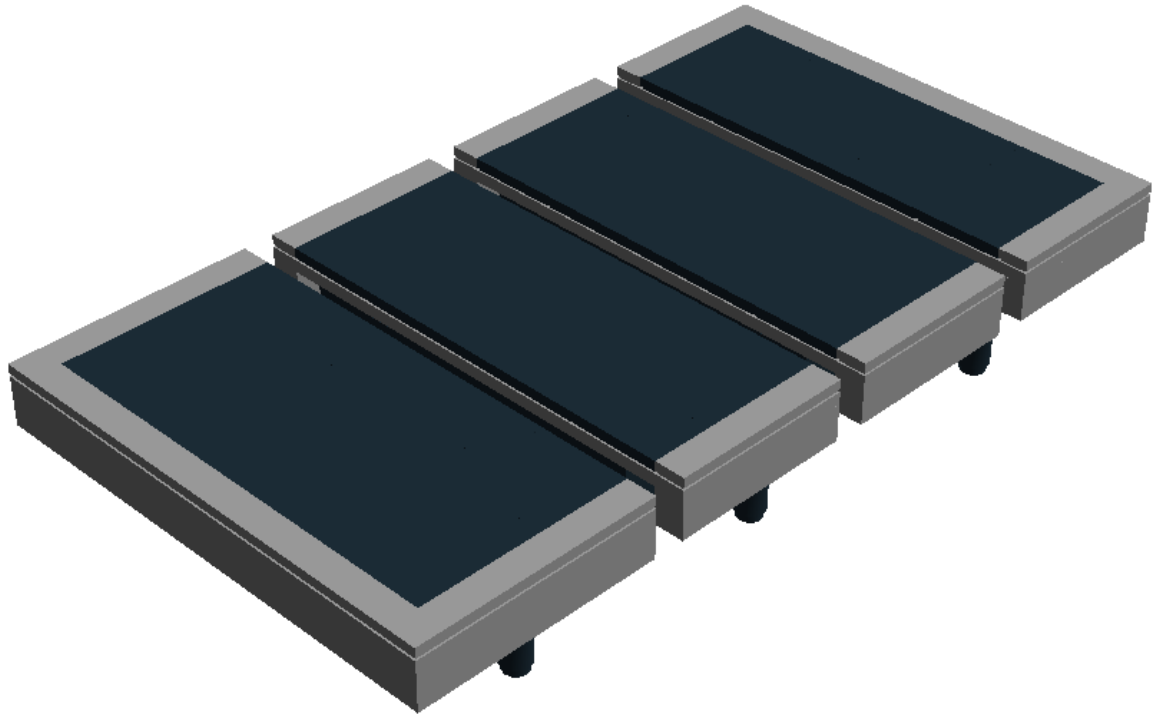


Model Name:
LEGO Bed

Number of Bricks: 221



Step 1 of 62

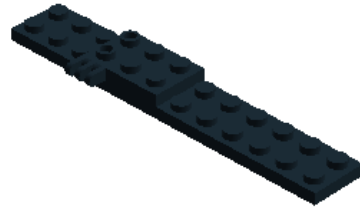
1 x



1 x



1 x



Step 2 of 62

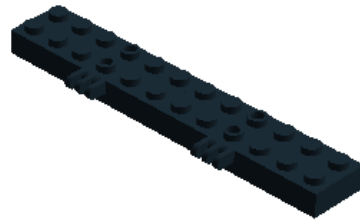
1 x



2 x



1 x

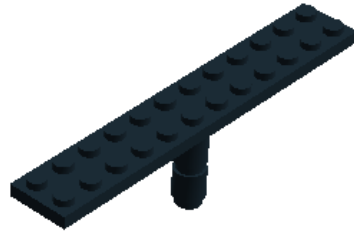


Step 3 of 62

2 x



1 x

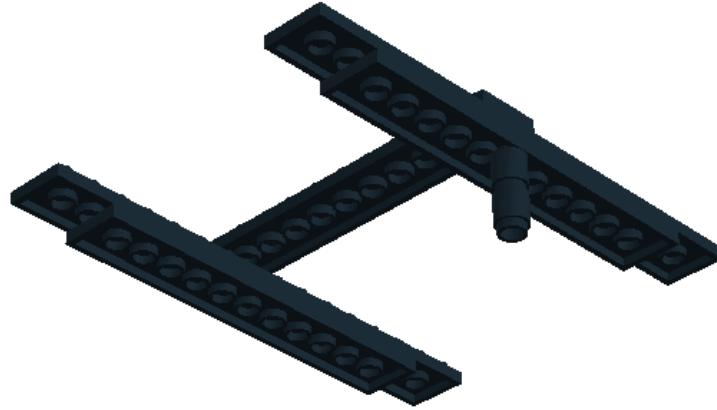


Step 4 of 62

2 x



2 x

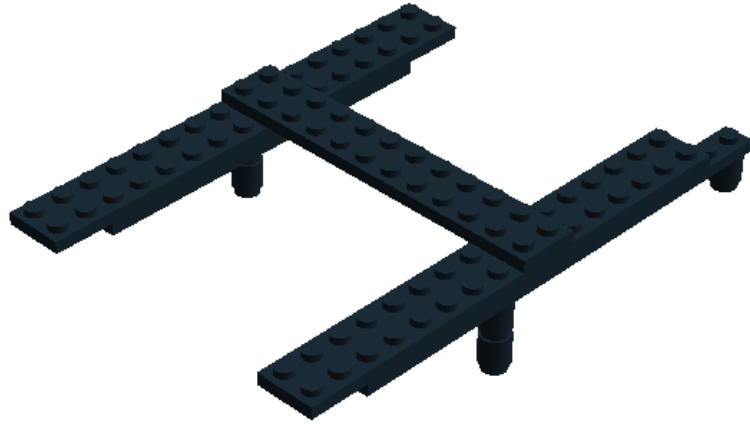


Step 5 of 62

3 x



1 x



Step 6 of 62

1 x



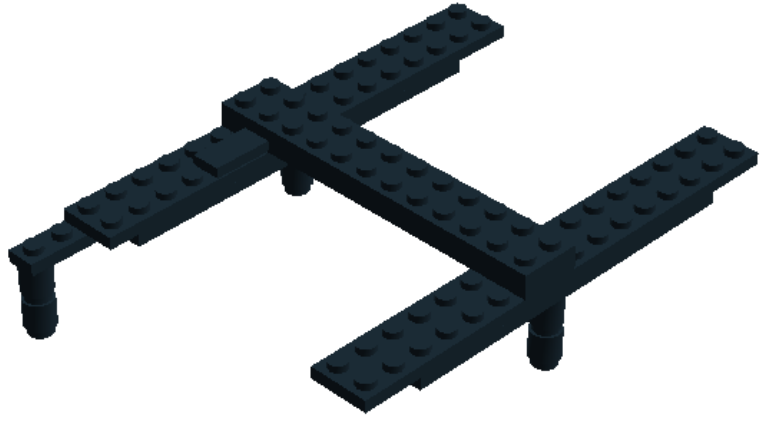
1 x



1 x



1 x



Step 7 of 62

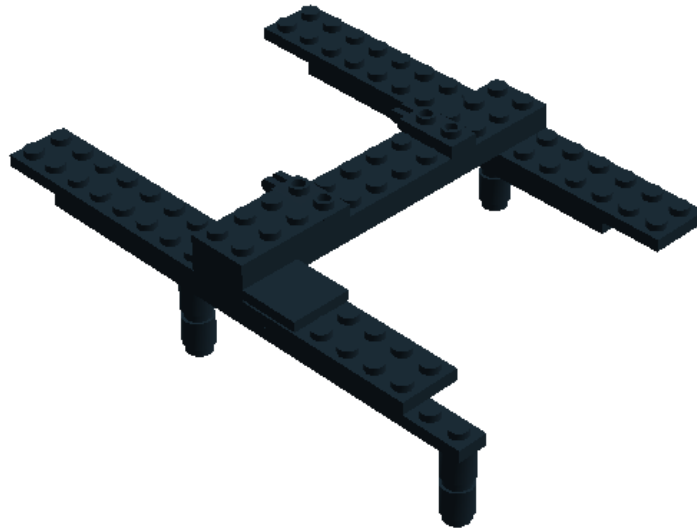
1 x



1 x



2 x



Step 8 of 62

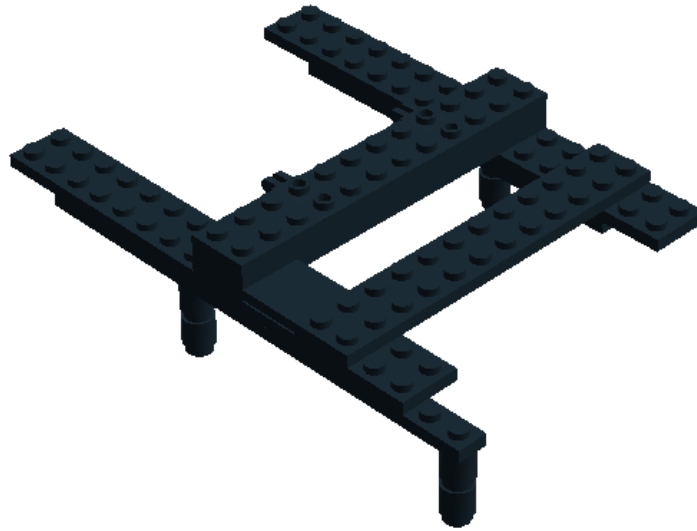
2 x



1 x



1 x



Step 9 of 62

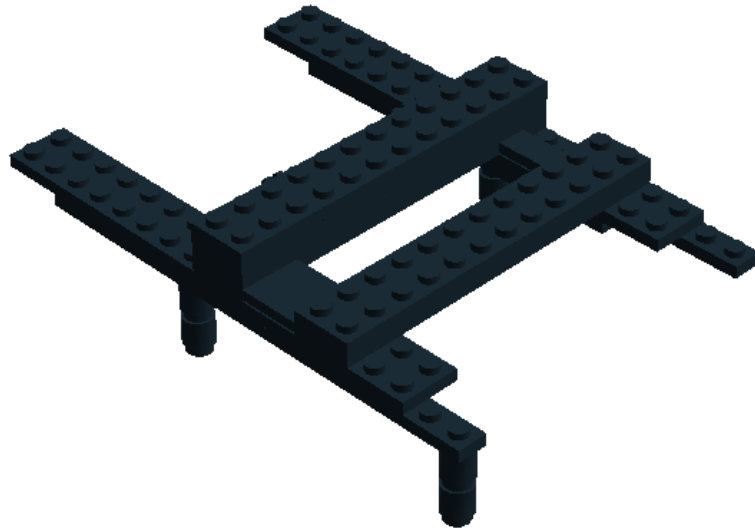
1 x



2 x



1 x



Step 10 of 62

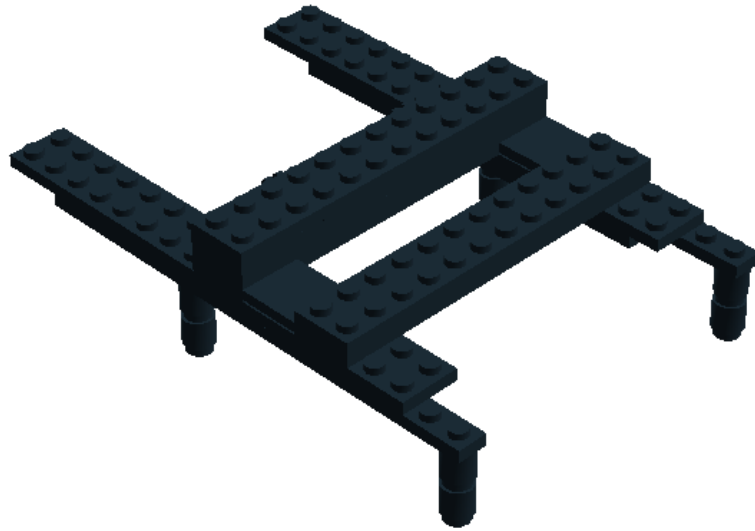
2 x



1 x



1 x



Step 11 of 62

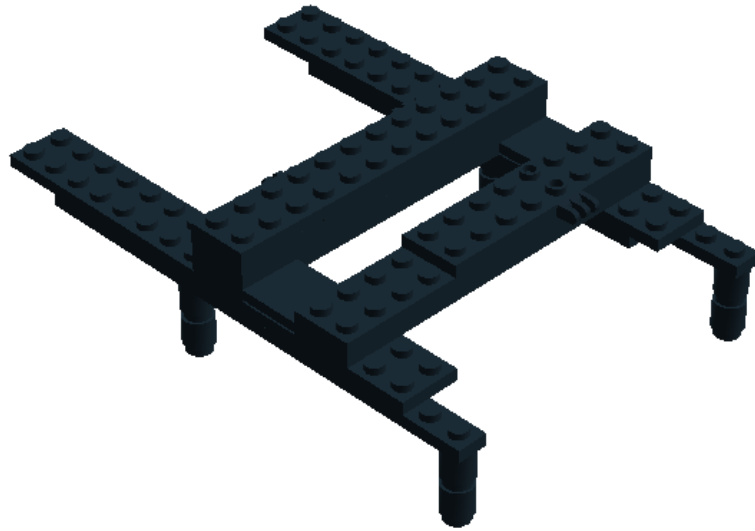
2 x



1 x



1 x



Step 12 of 62

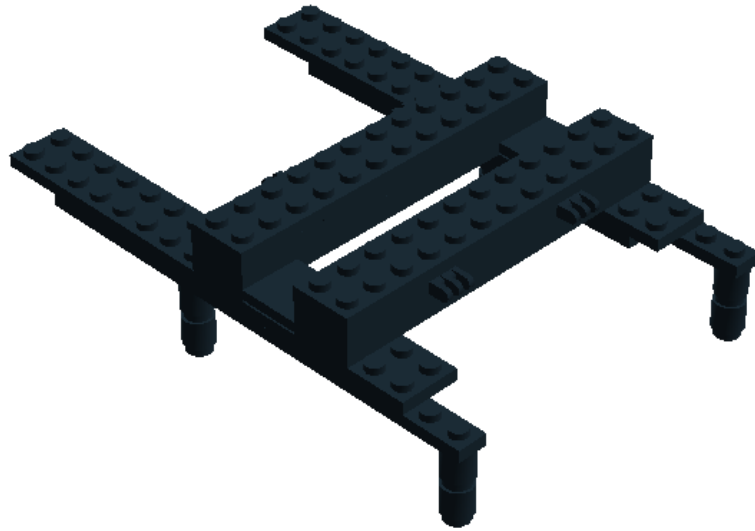
1 x



1 x



1 x



Step 13 of 62

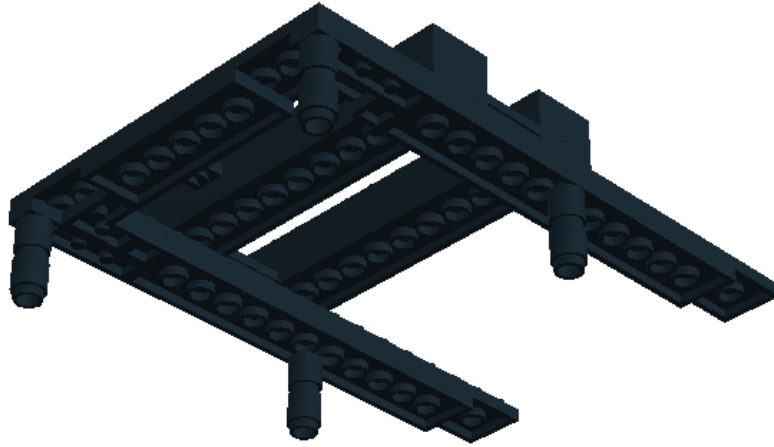
1 x



1 x

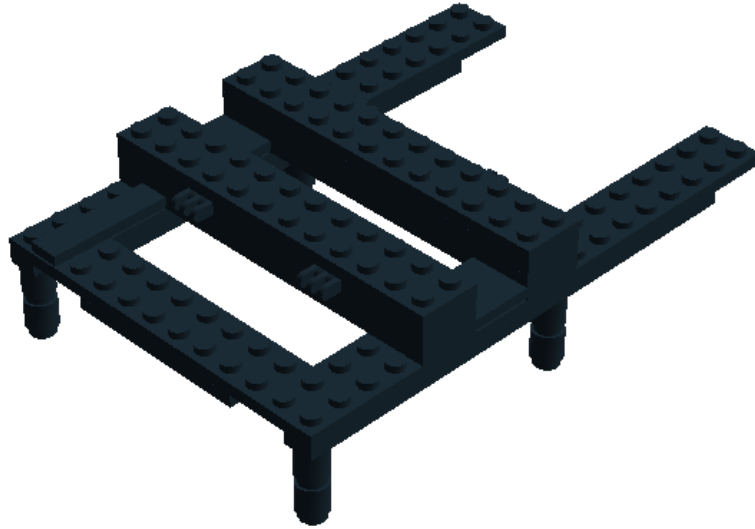


1 x

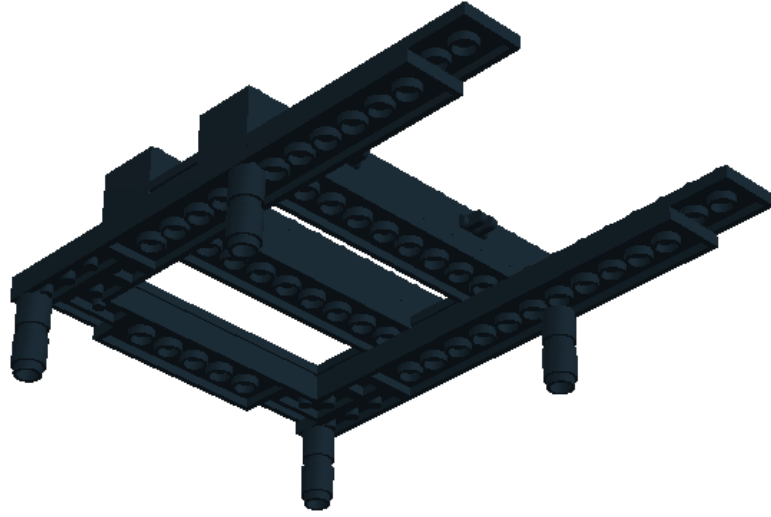
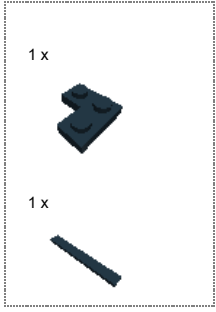


Step 14 of 62

1 x



Step 15 of 62



Step 16 of 62

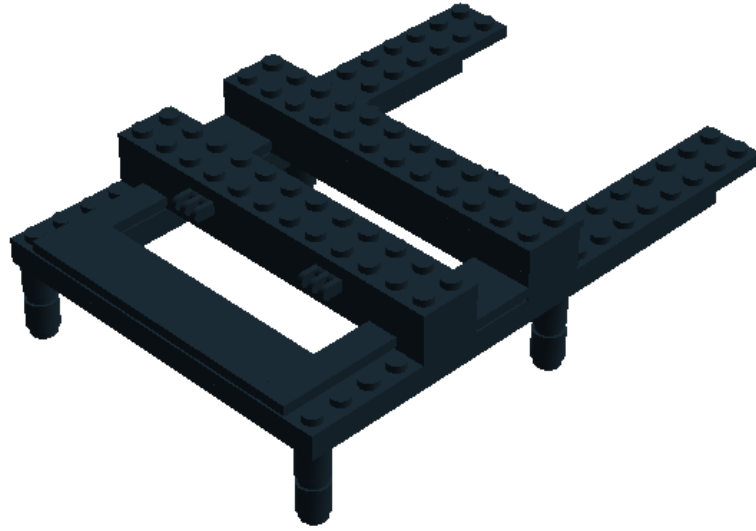
2 x



1 x



1 x

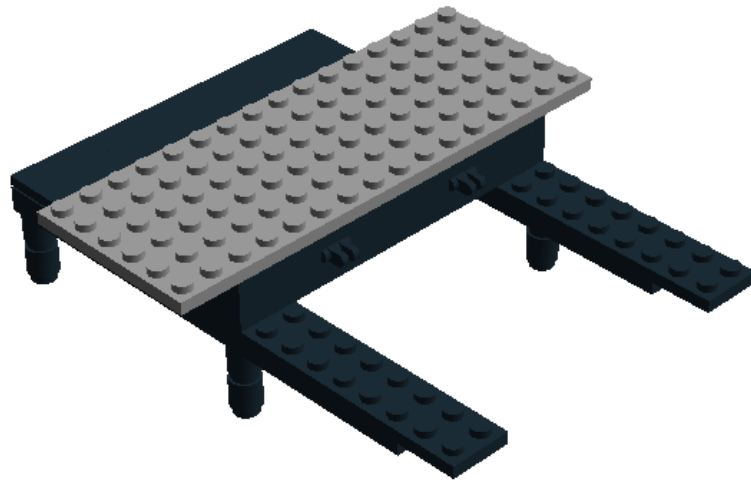


Step 17 of 62

2 x



2 x



Step 18 of 62

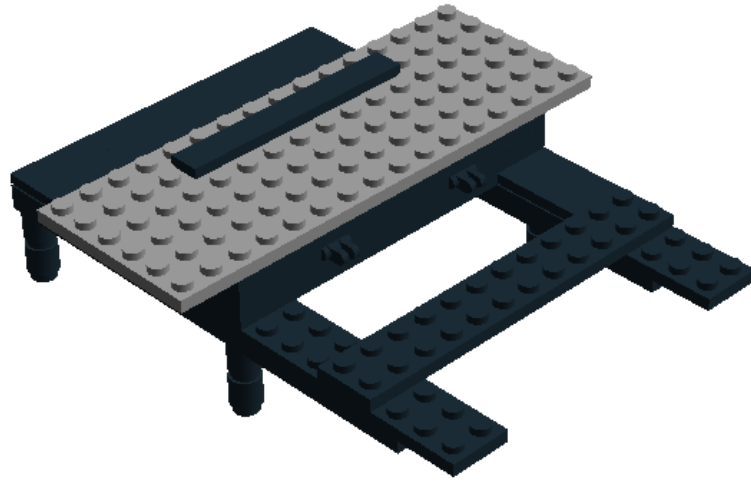
1 x



2 x



1 x



Step 19 of 62

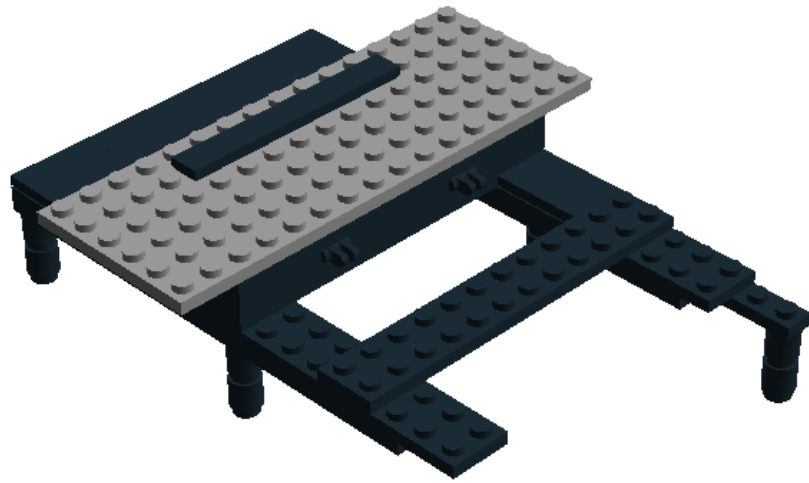
2 x



1 x



1 x

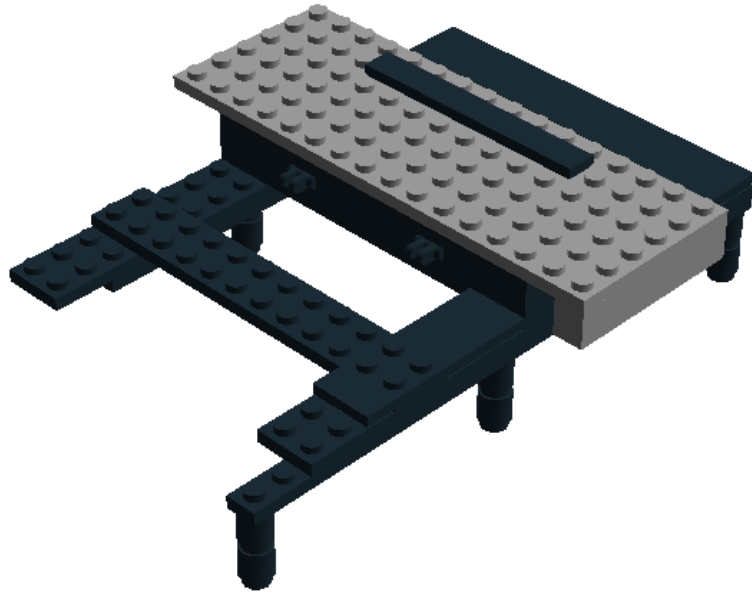


Step 20 of 62

1 x

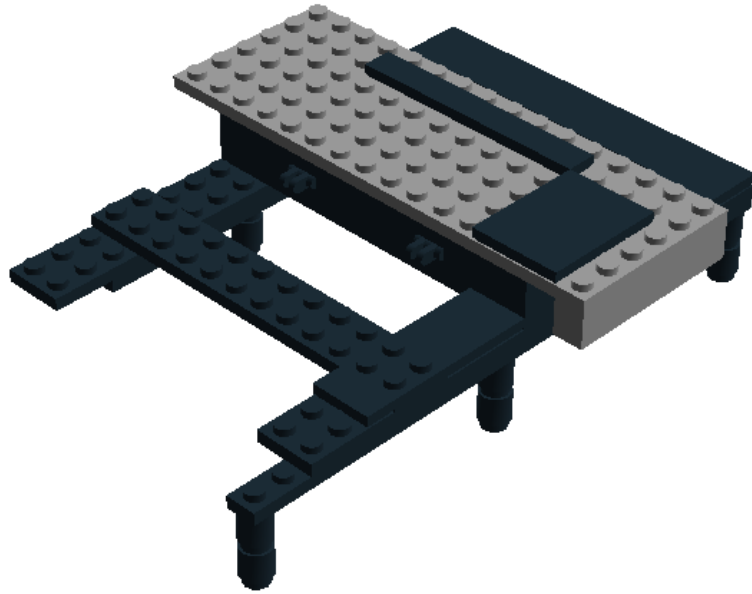


2 x



Step 21 of 62

4 x



Step 22 of 62

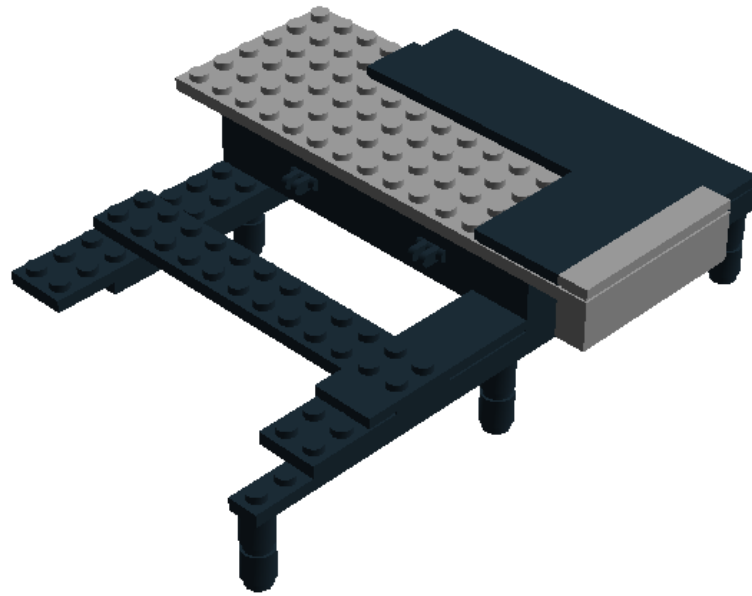
2 x



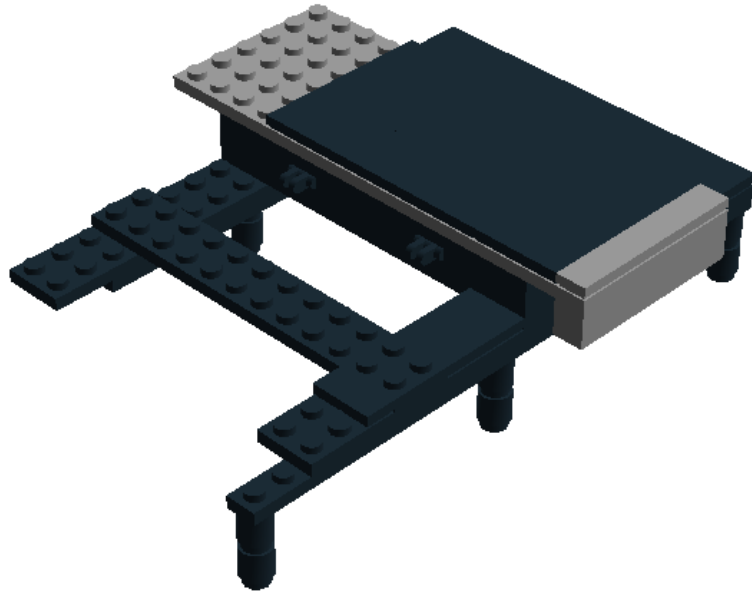
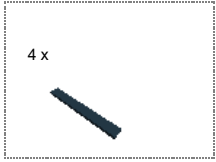
1 x



1 x



Step 23 of 62



Step 24 of 62

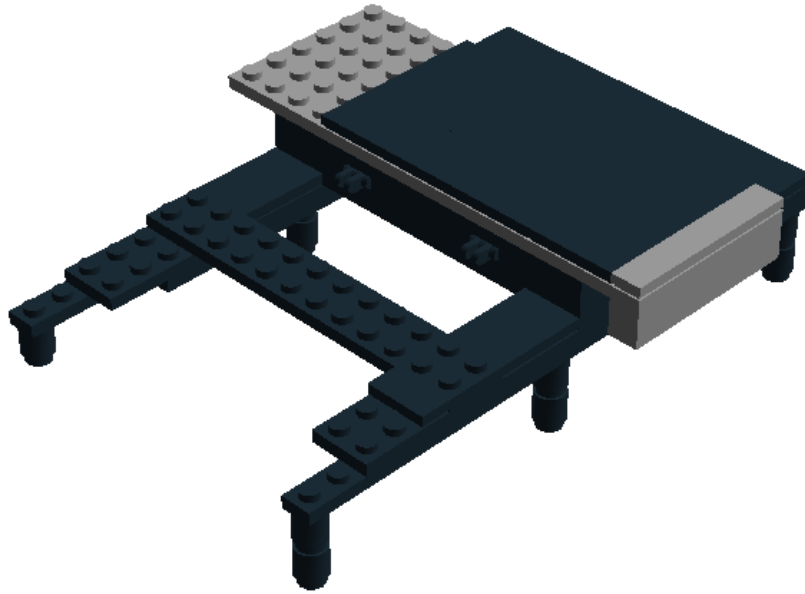
1 x



1 x



2 x



Step 25 of 62

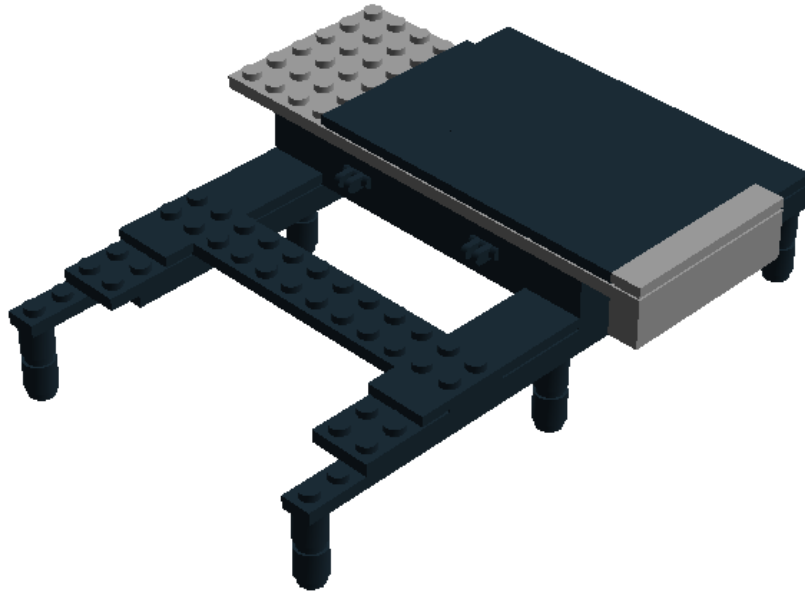
1 x



1 x



2 x



Step 26 of 62

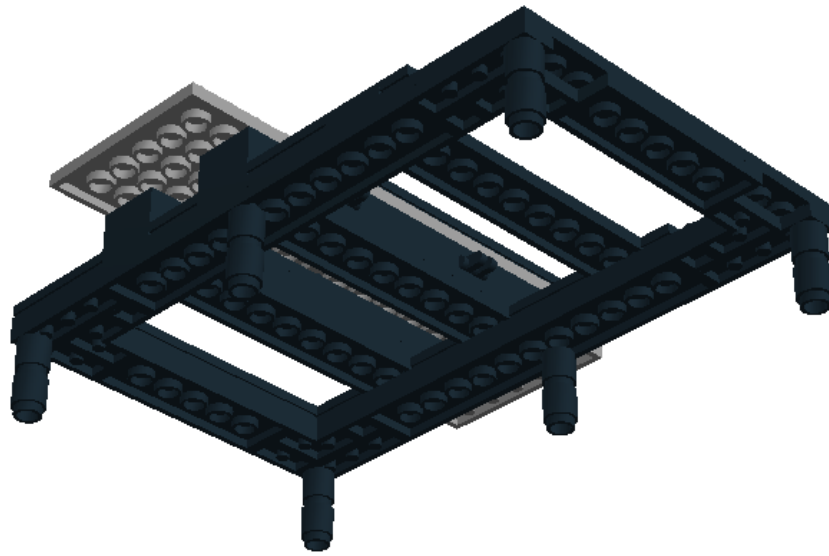
2 x



1 x



1 x



Step 27 of 62

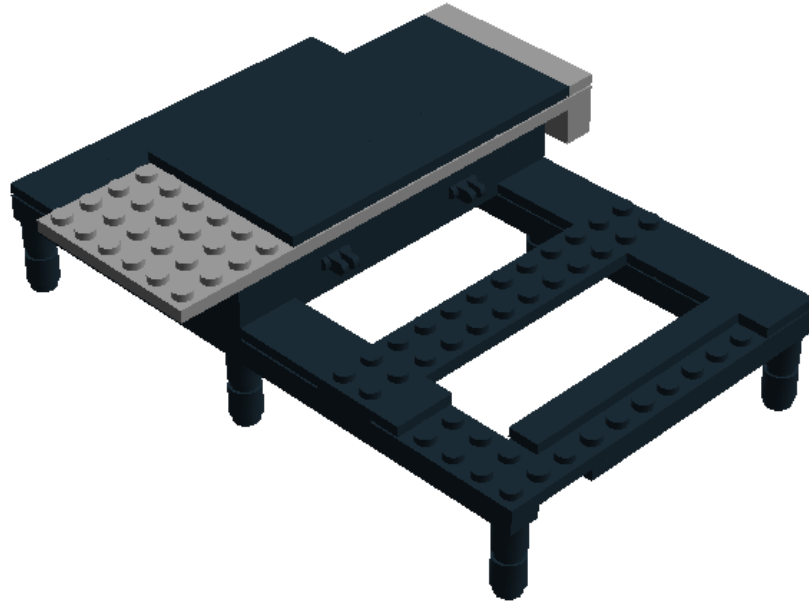
1 x



2 x



1 x



Step 28 of 62

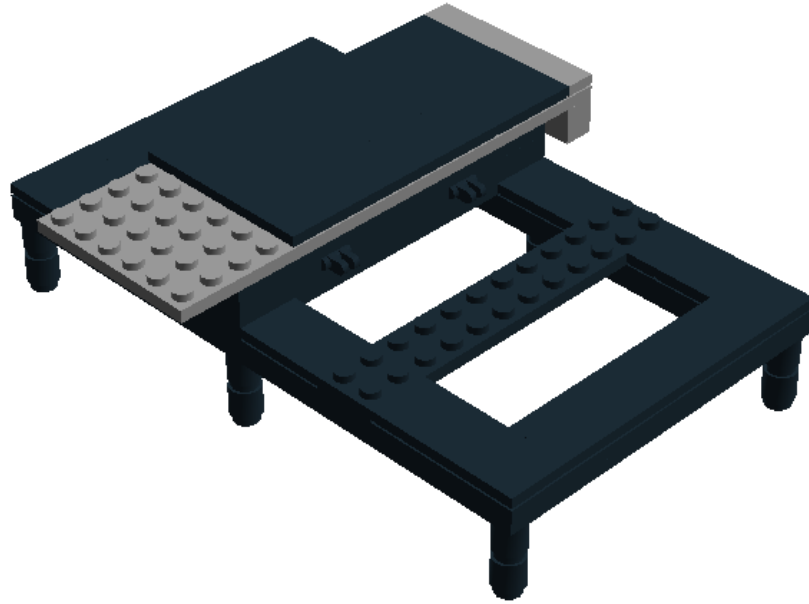
1 x



2 x



1 x

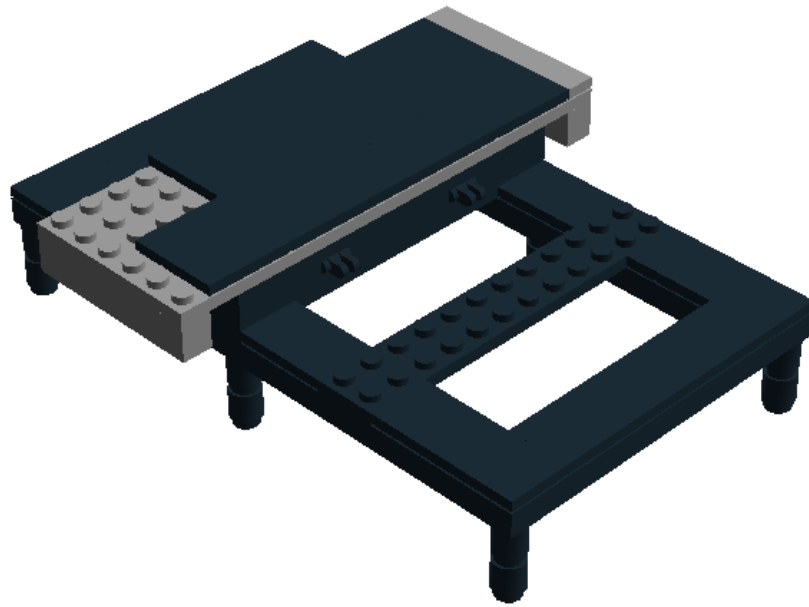


Step 29 of 62

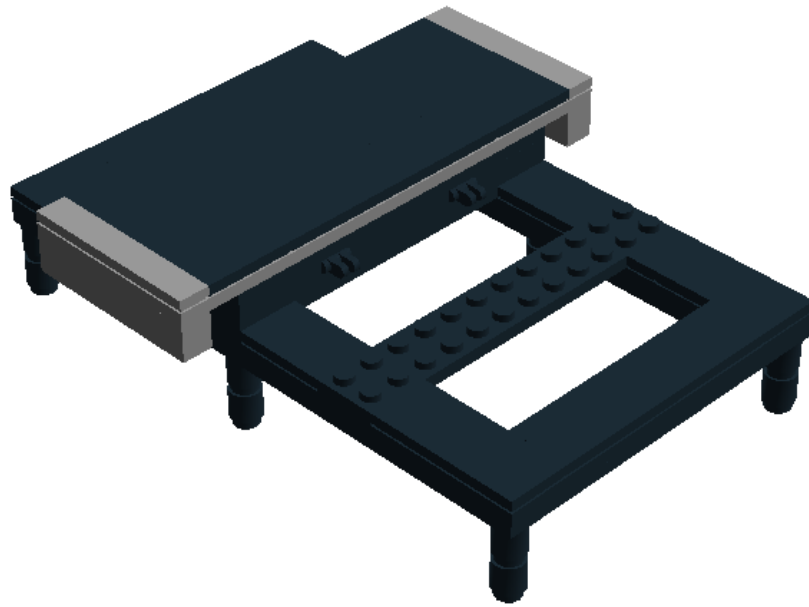
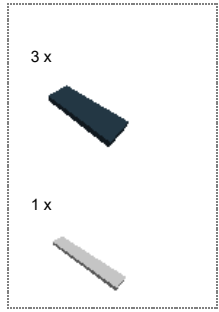
1 x

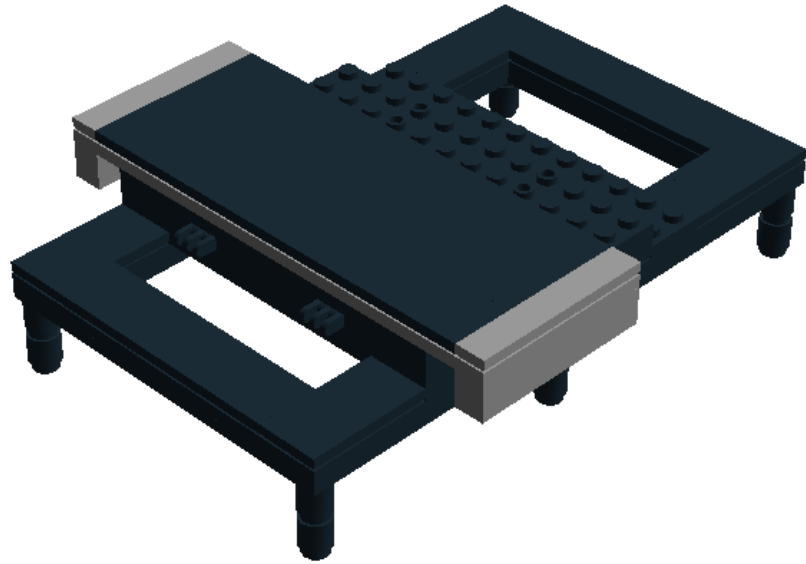


3 x



Step 30 of 62





Step 32 of 62

1 x



1 x



1 x



Step 33 of 62

1 x



2 x



1 x



Step 34 of 62

1 x



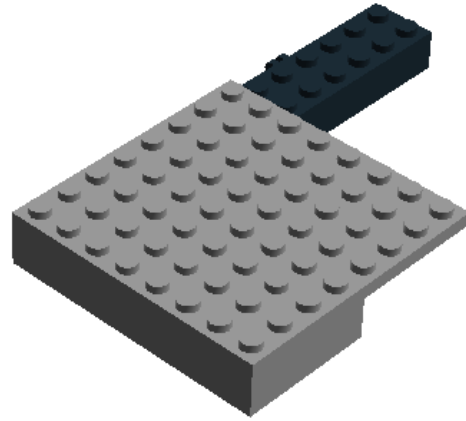
1 x



1 x



1 x



Step 35 of 62

1 x



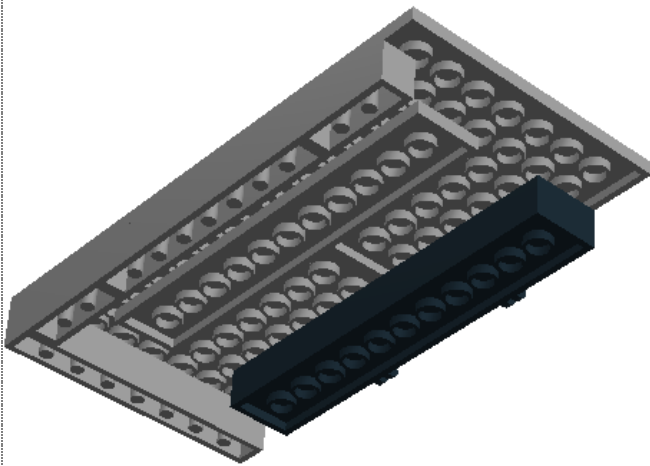
1 x



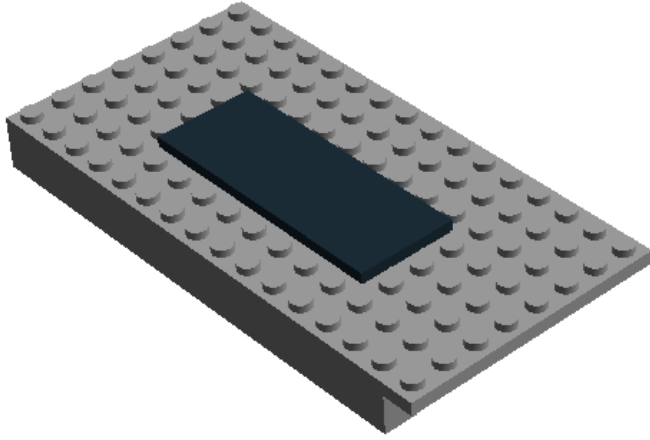
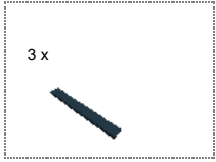
1 x



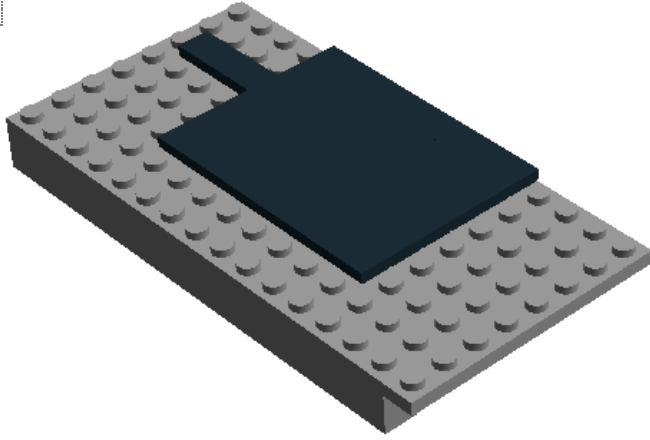
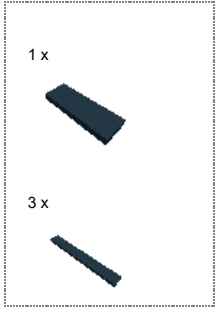
1 x



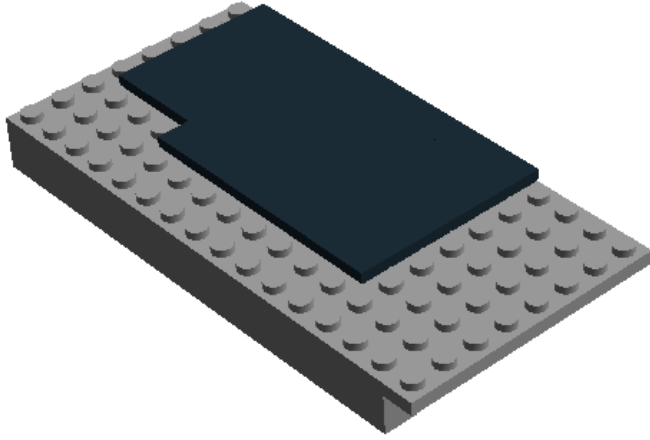
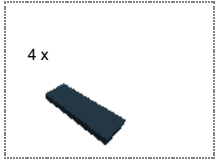
Step 36 of 62



Step 37 of 62



Step 38 of 62



Step 39 of 62

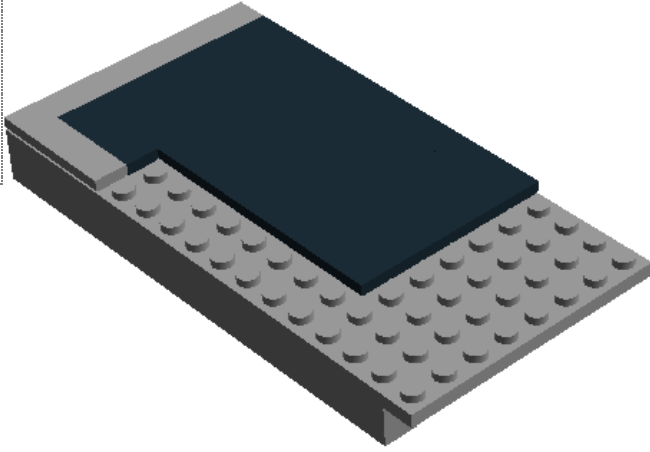
2 x



1 x



1 x



Step 40 of 62

1 x



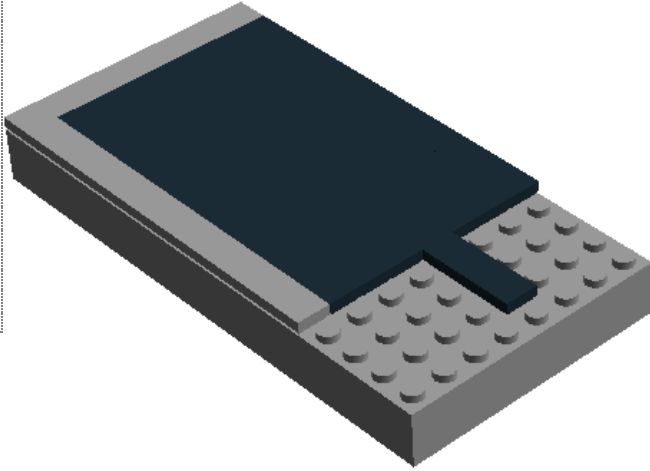
1 x



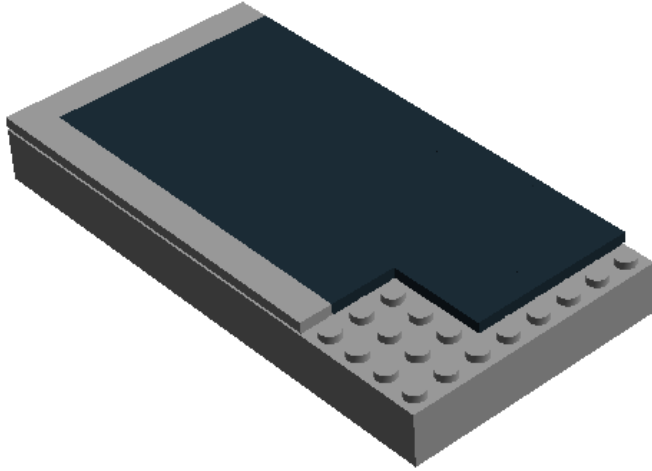
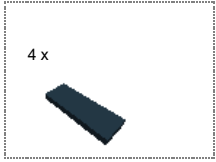
1 x



1 x



Step 41 of 62



Step 42 of 62

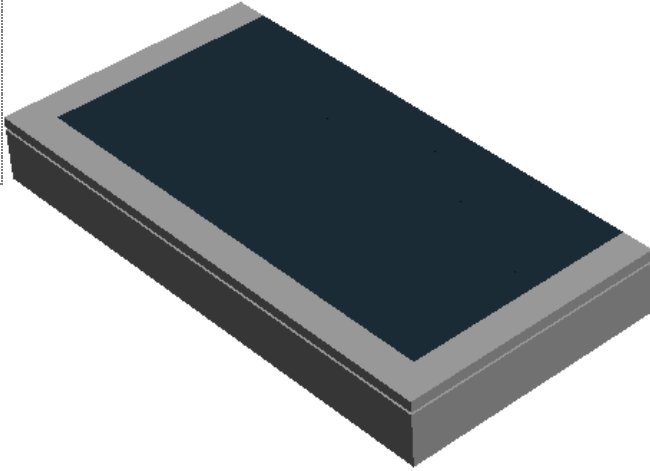
2 x

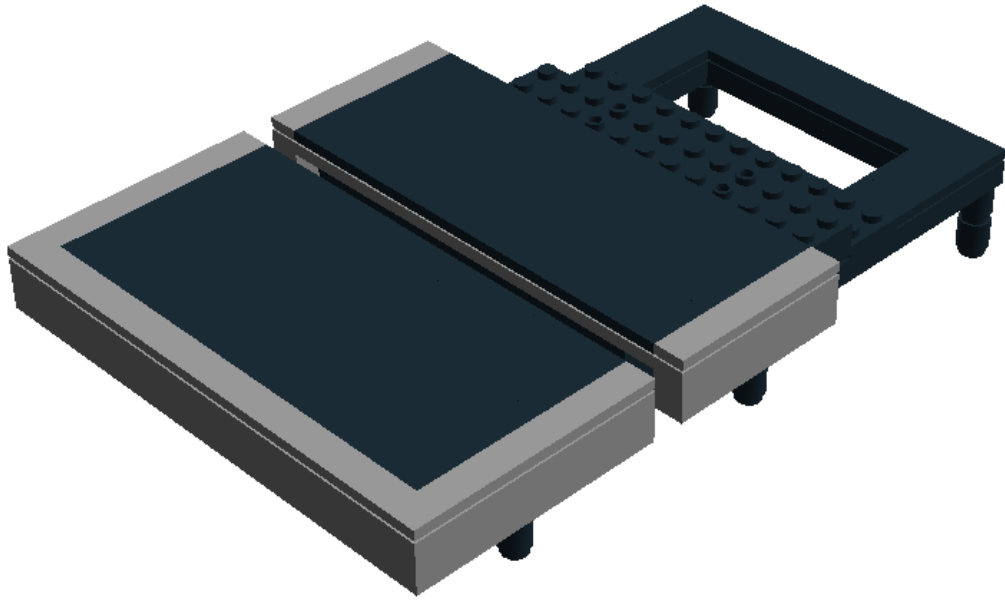


1 x



1 x





Step 44 of 62

2 x



1 x

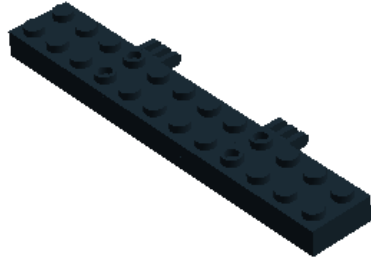


Step 45 of 62

2 x



2 x



Step 46 of 62

1 x



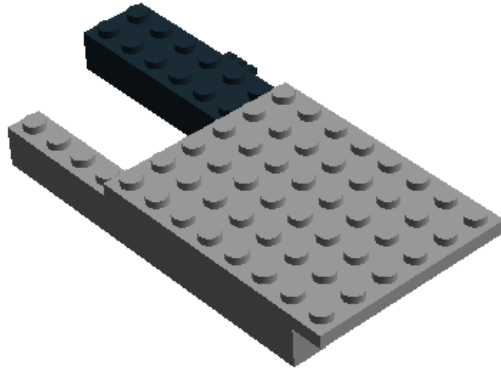
1 x



1 x



1 x



Step 47 of 62

1 x



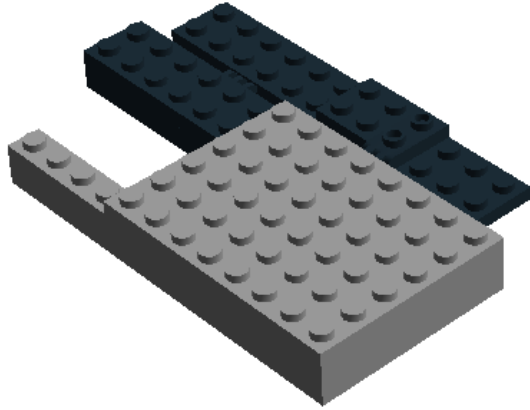
1 x



1 x



1 x



Step 48 of 62

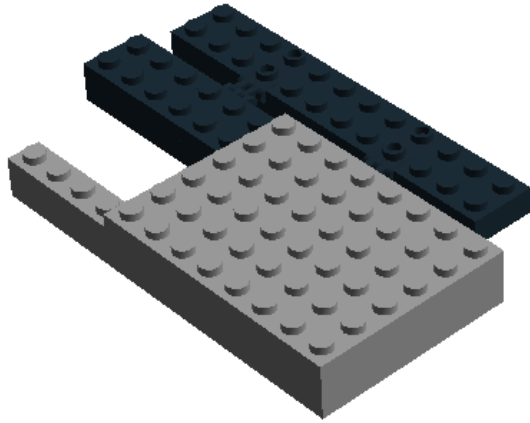
1 x



2 x



1 x



Step 49 of 62

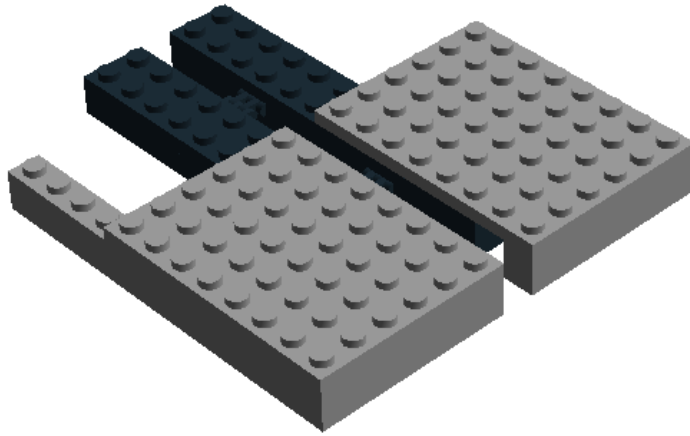
1 x



1 x



1 x



Step 50 of 62

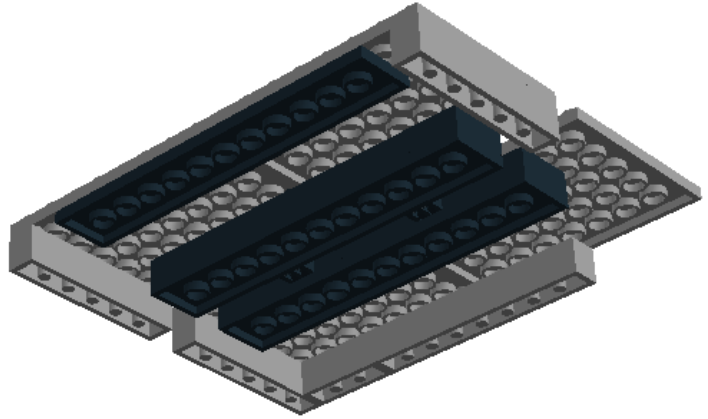
1 x



1 x



2 x



Step 51 of 62

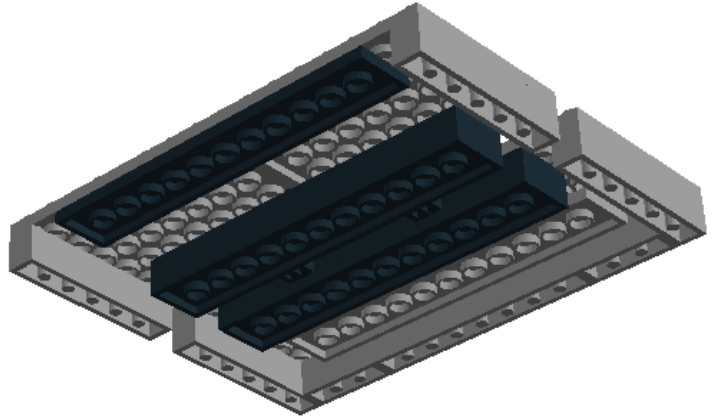
1 x



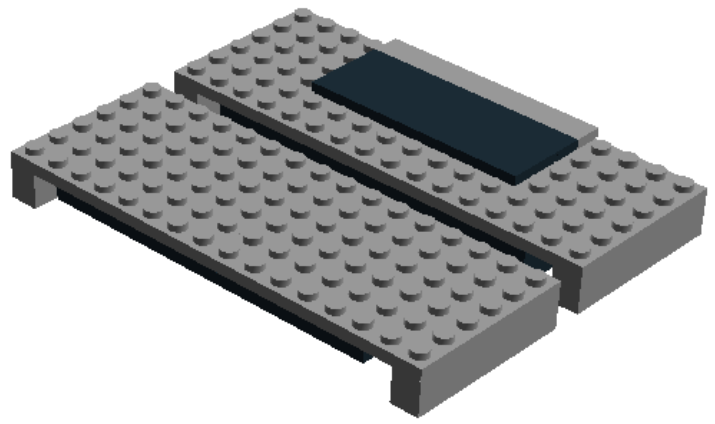
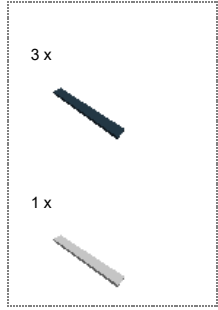
1 x



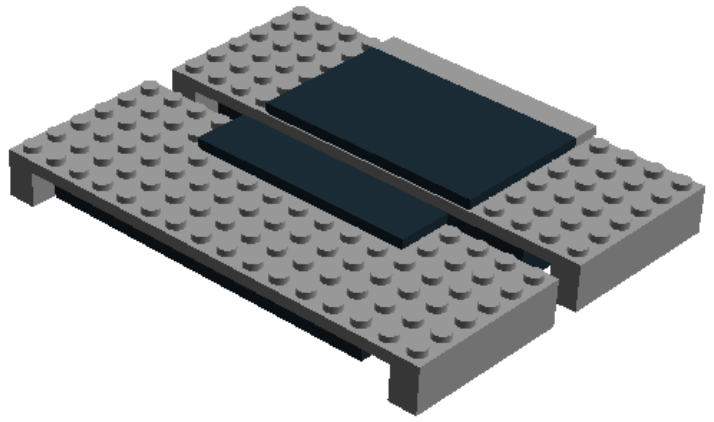
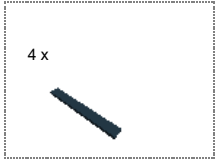
1 x



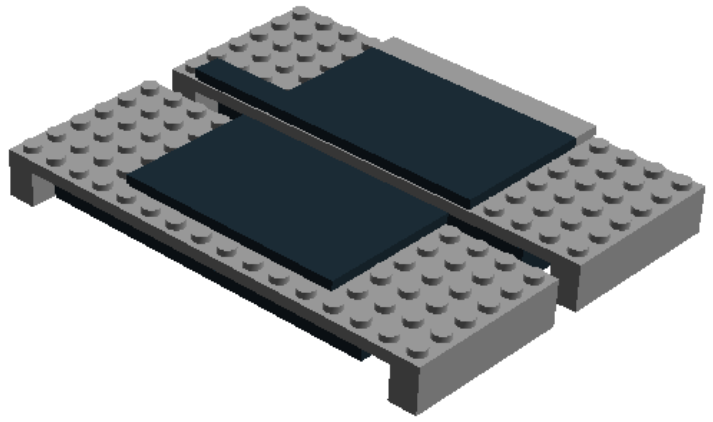
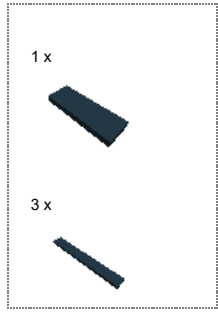
Step 52 of 62



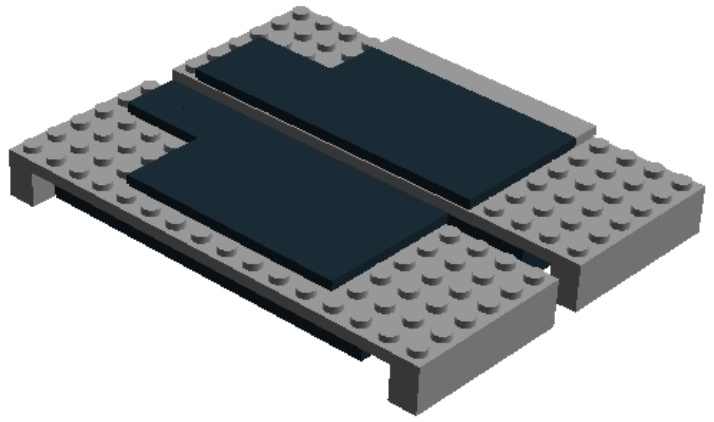
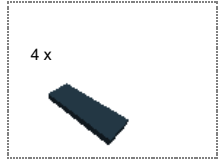
Step 53 of 62



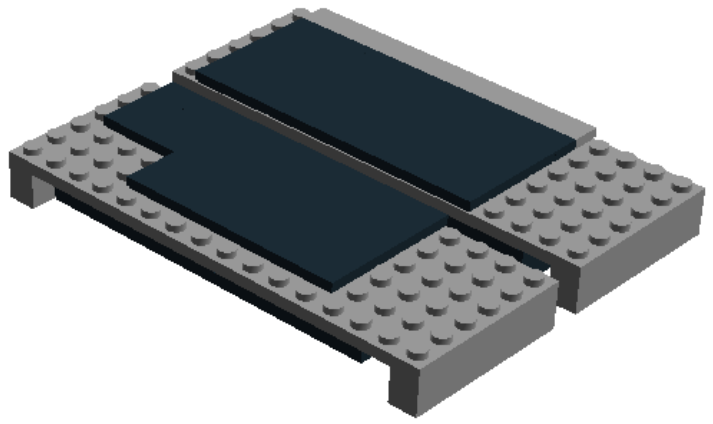
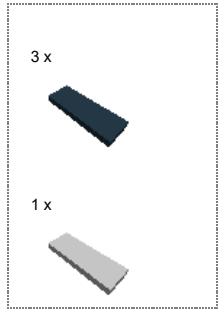
Step 54 of 62



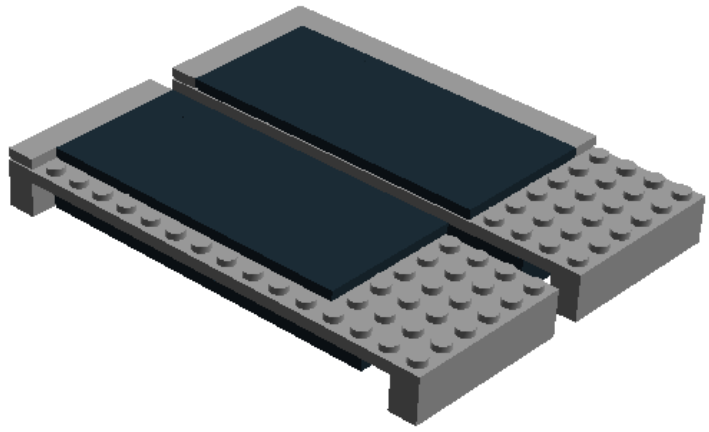
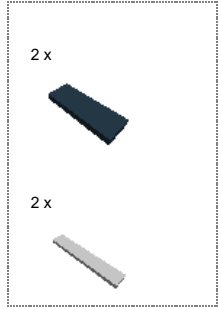
Step 55 of 62



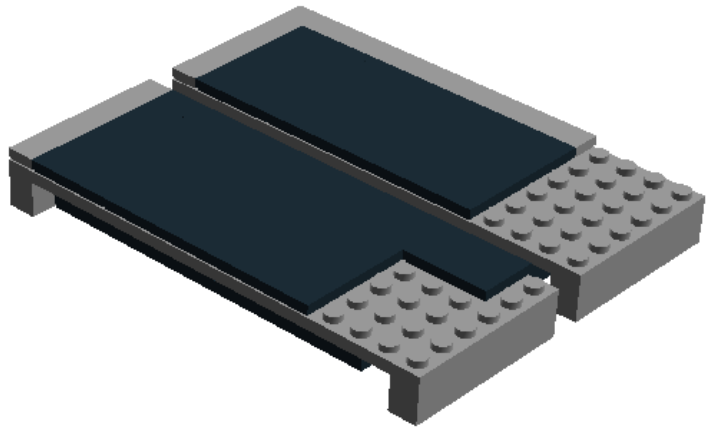
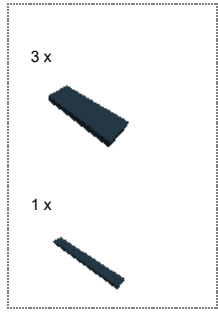
Step 56 of 62



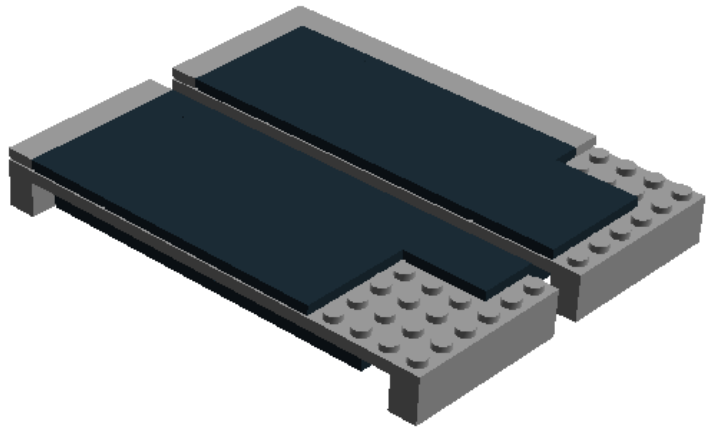
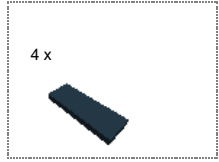
Step 57 of 62



Step 58 of 62



Step 59 of 62



Step 60 of 62

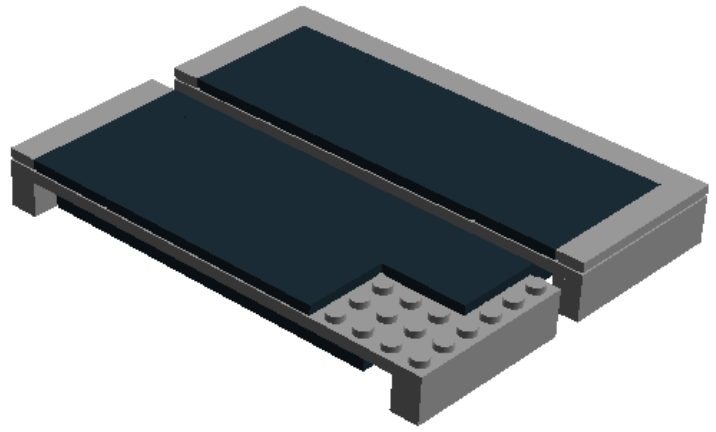
2 x



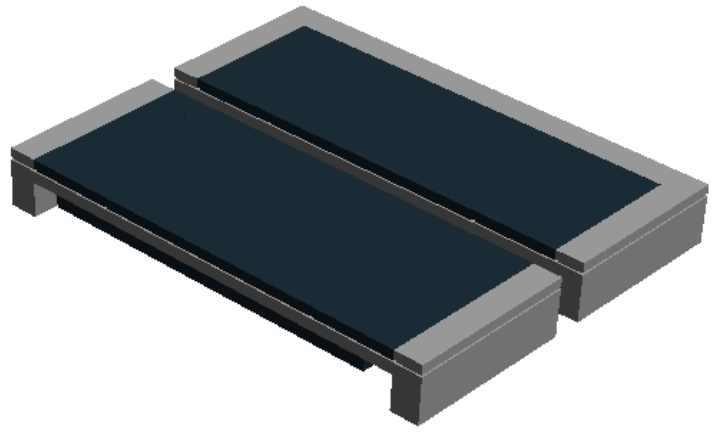
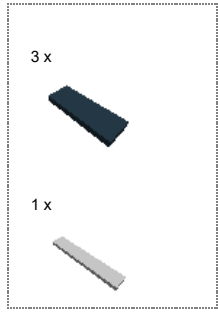
1 x

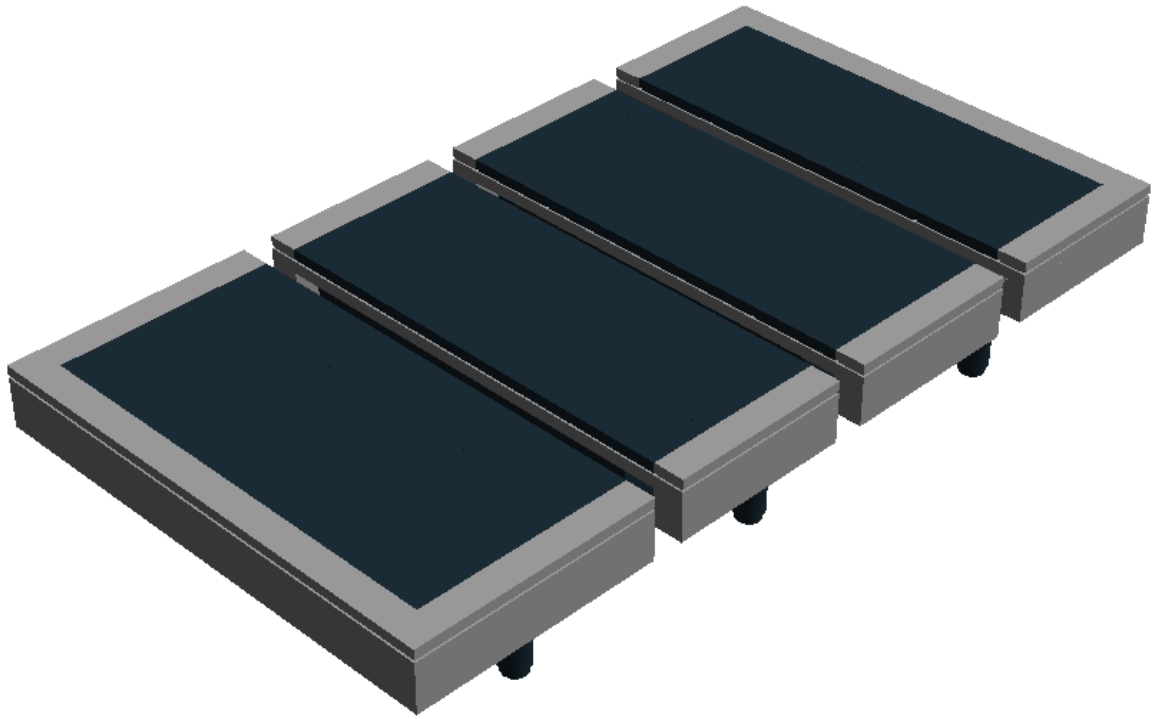


1 x





Step 61 of 62






4 x  4211428 BRICK 1X3 - ??
Material194??


6 x  4211393 BRICK 1X6 - ??
Material194??


4 x  4211392 BRICK 1X8 - ??
Material194??

12 x  306226 ROUND BRICK 1X1 - ??
Material26??


4 x  302426 PLATE 1X1 - ??Material26??

4 x  302326 PLATE 1X2 - ??Material26??


4 x  242026 CORNER PLATE 1X2X2 - ??
Material26??


12 x  302226 PLATE 2X2 - ??
Material26??

4 x  371026 PLATE 1X4 - ??Material26??

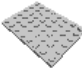
12 x  302126 PLATE 2X3 - ??
Material26??

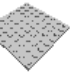
2 x  379526 PLATE 2X6 - ??Material26??


19 x  244526 PLATE 2X12 - ??
Material26??

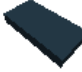
2 x  4211360 PLATE 2X12 - ??
Material194??


2 x  428226 PLATE 2X16 - ??
Material26??


6 x  4211408 PLATE 6X8 - ??
Material194??


2 x  4166618 PLATE 8X8 - ??
Material194??


4 x  307026 FLAT TILE 1X1 - ??
Material26??


4 x  306926 FLAT TILE 1X2 - ??
Material26??


52 x  4558170 FLAT TILE 1X3 - ??
Material26??


4 x  4558169 FLAT TILE 1X3 - ??
Material194??


8 x  243126 FLAT TILE 1X4 - ??
Material26??

6 x  427526 HINGE PLATE 1X2 1/2 - ??
Material26??

6 x  427626 HINGE PLATE 1X2 1/2 - ??
Material26??

6 x  4211549 FLAT TILE 1X6 - ??
Material194??

28 x  416226 FLAT TILE 1X8 - ??
Material26??

4 x  4211481 FLAT TILE 1X8 - ??
Material194??

