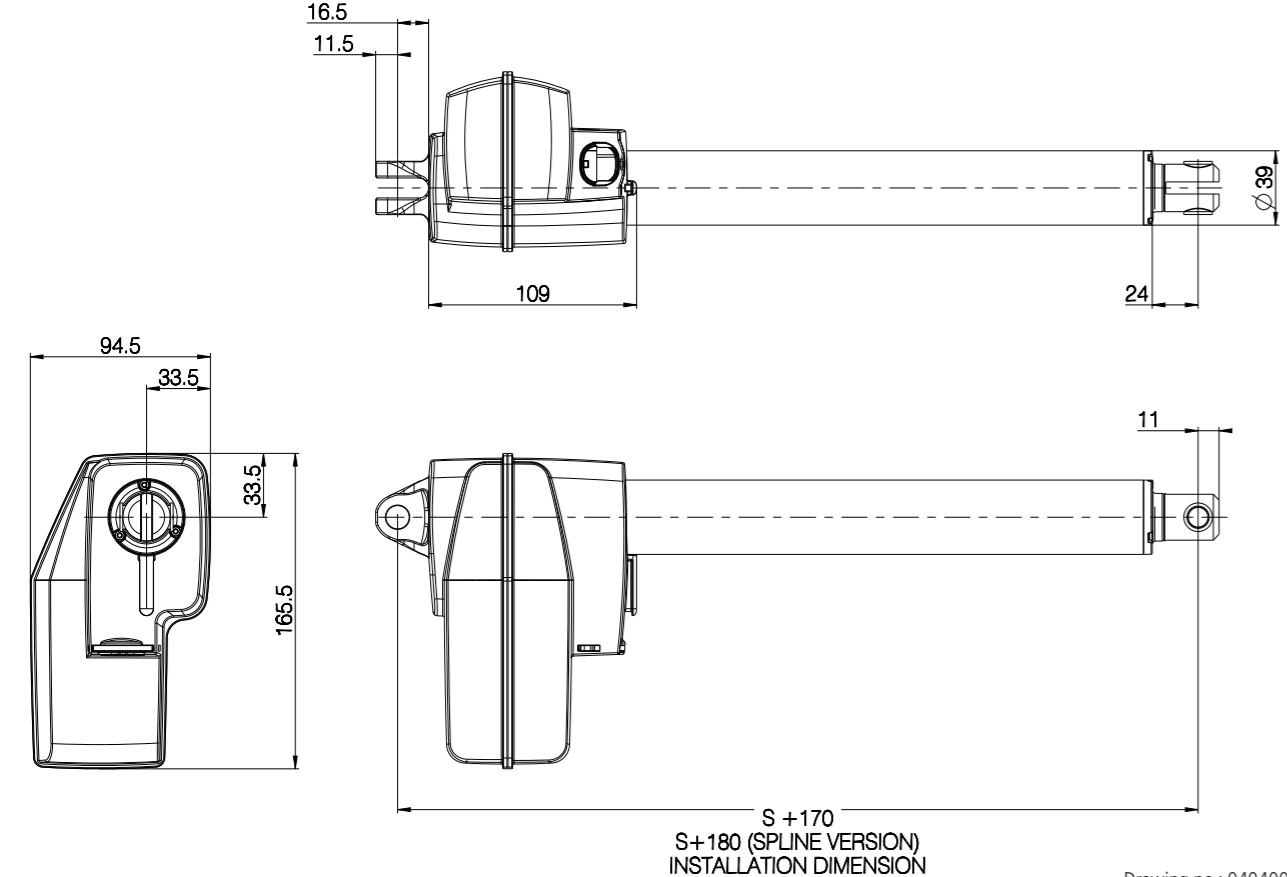


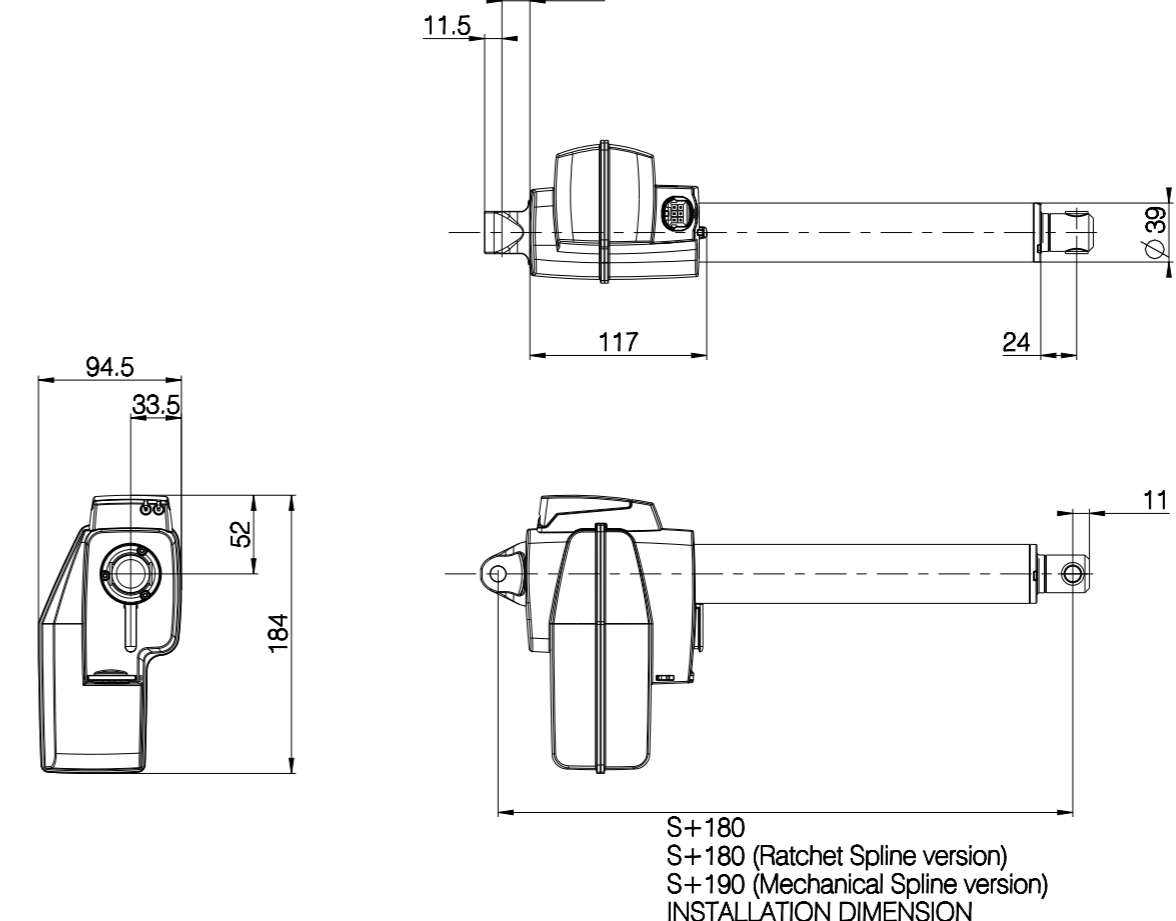
Dimension drawing

LA40 Standard



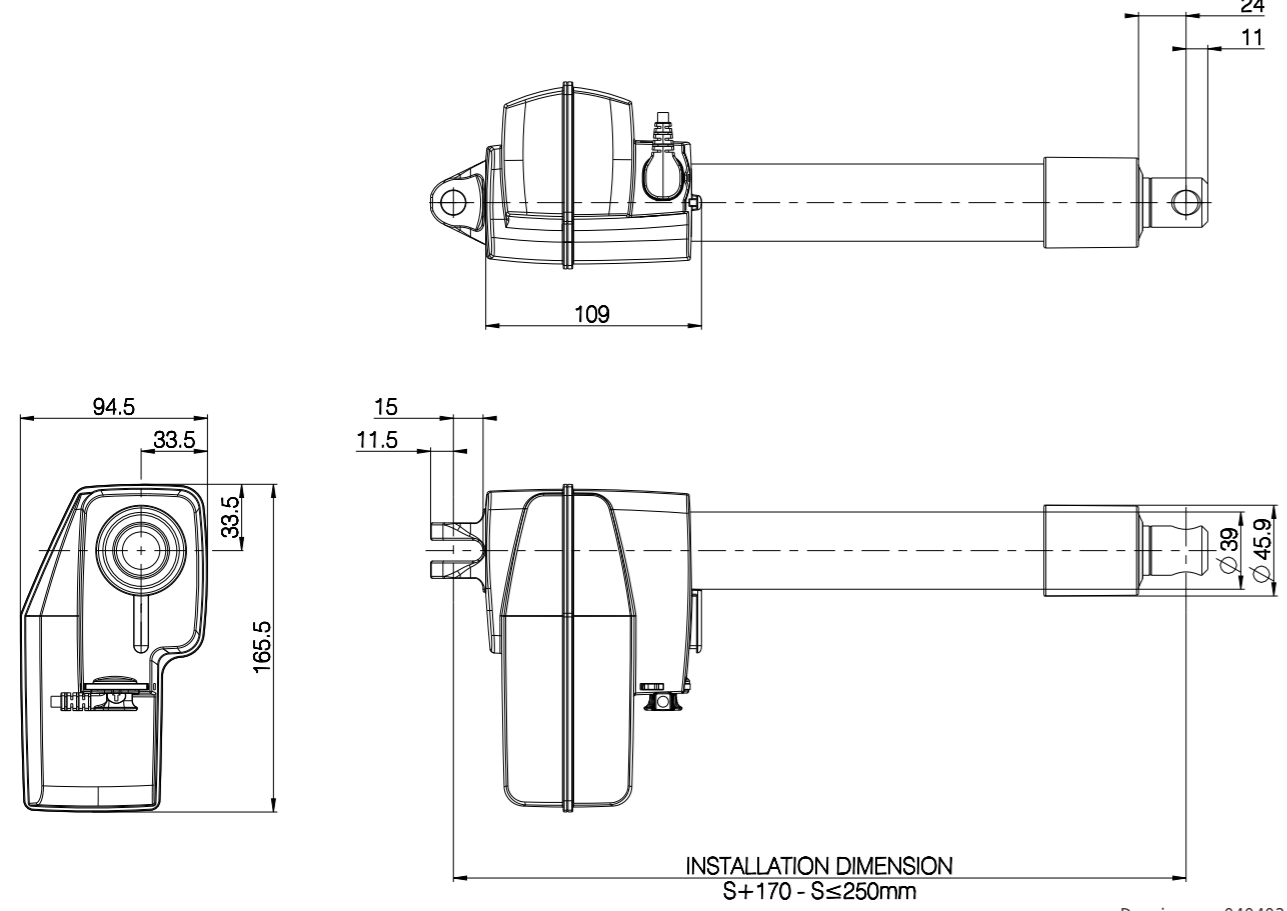
Drawing no.: 0404006

LA40 QR



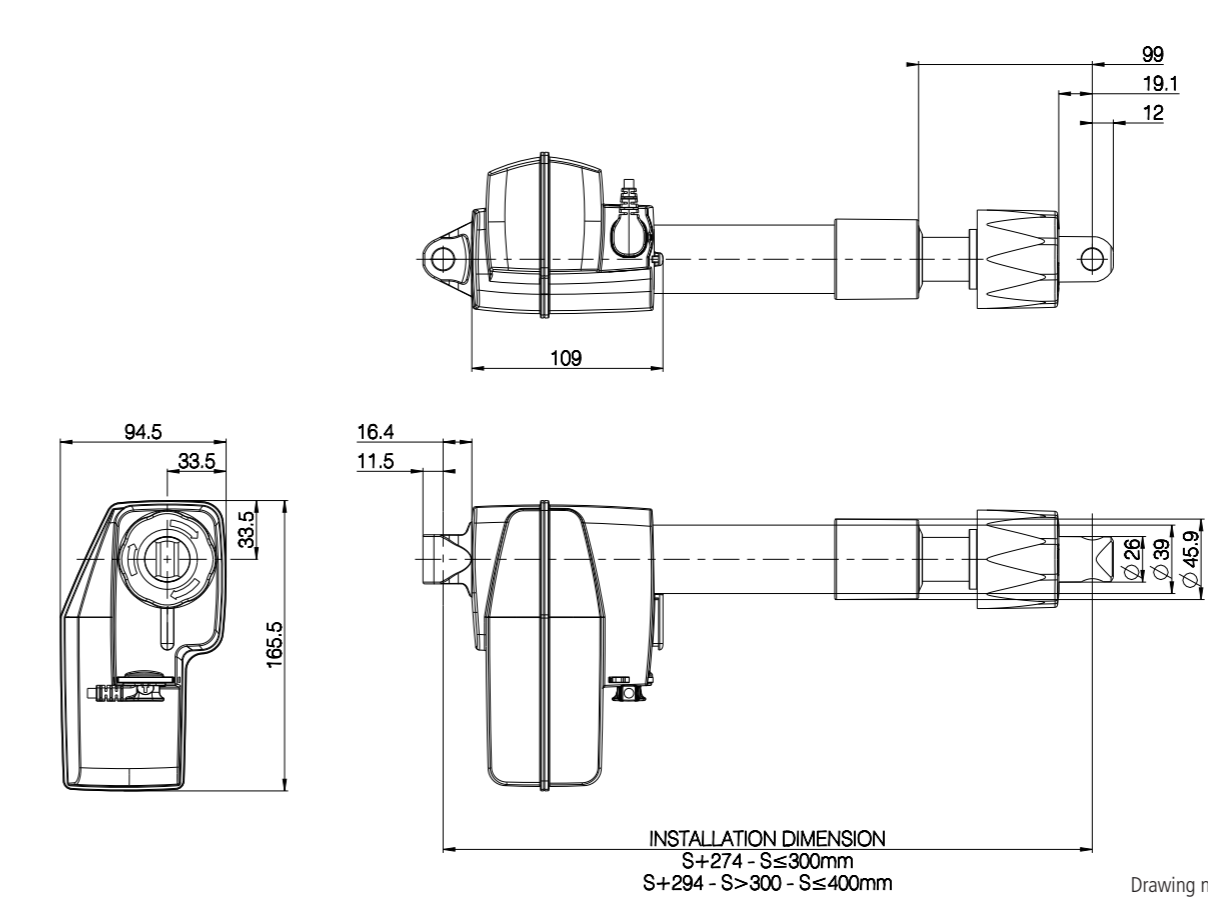
Drawing no.: 0404017

LA40 High Performance




Drawing no.: 0404021

LA40 Patient Lift



Drawing no.: 0404022

All rights reserved	Date: 11 June 2018
Description:  <div style="text-align: center;"> <b>Linear Actuator LA40</b> </div> <div style="text-align: right;">                   WE IMPROVE YOUR LIFE             </div>	