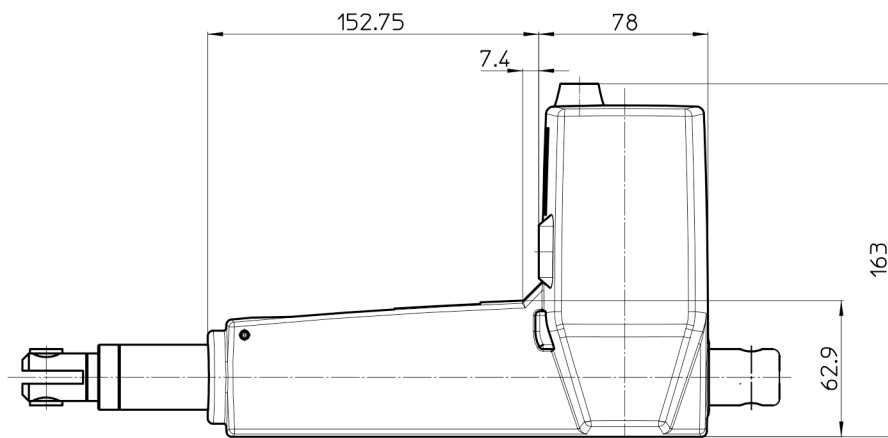
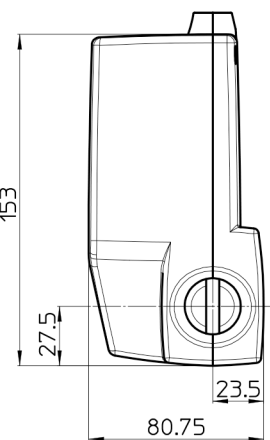


LINAK A/S
LA31002C



All rights reserved

Date:
22 January 2018

Description:

Linear Actuator LA31 Techline

LINAK® 
WE IMPROVE YOUR LIFE