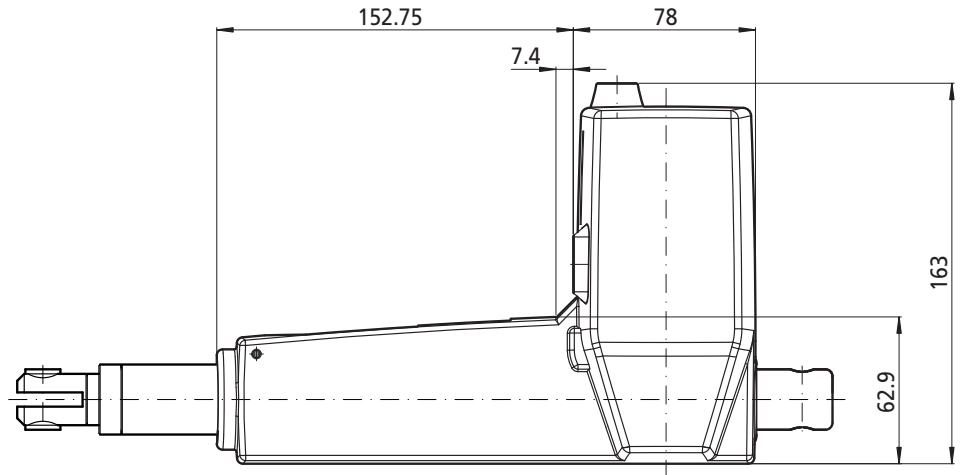
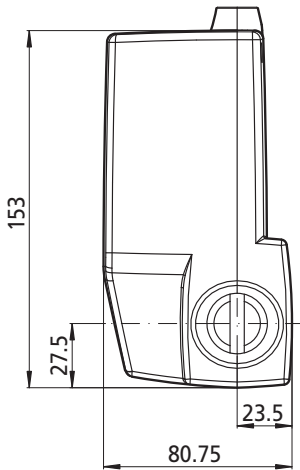


LINAK A/S
LA31002C



All rights reserved

Date:

17 June 2010

Description:

Linear Actuator LA31 HOMELINE



WE IMPROVE YOUR LIFE