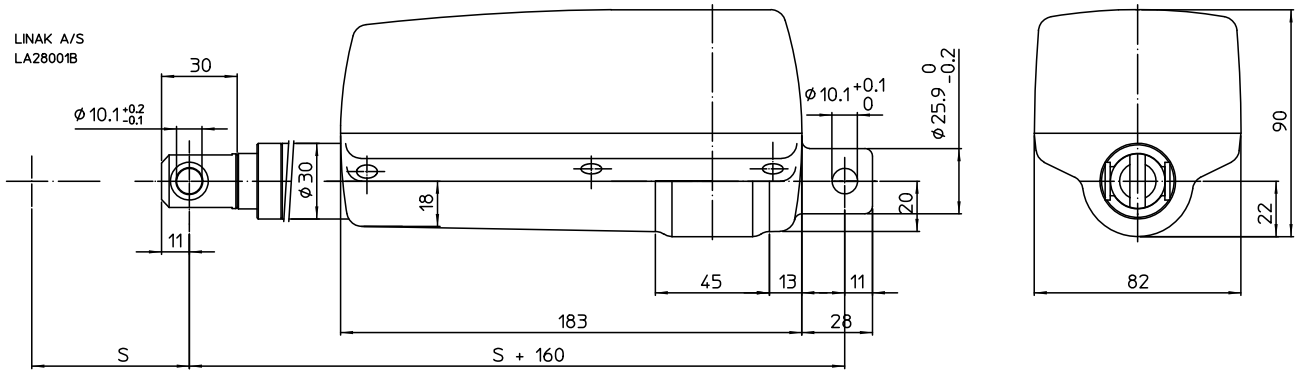
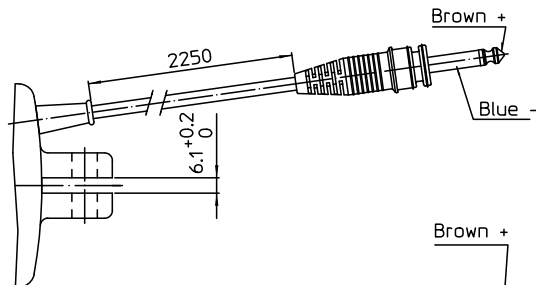
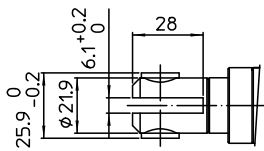


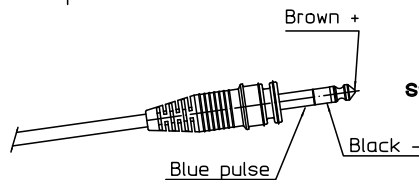
LINAK A/S
LA28001B



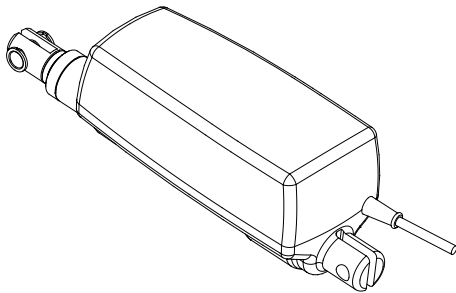
S+160 LA28 (with or without safety nut)
S+171 splines
S+185 safety nut and splines
S+192 brake



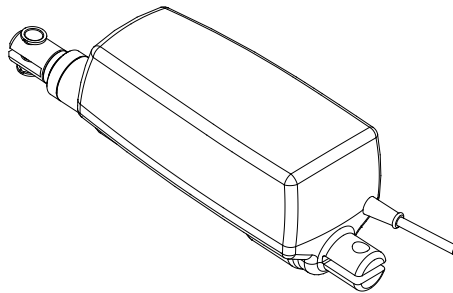
Mono Jack plug



Stereo Jack plug



Back fixture 01



Back fixture 02

Drawing no. 028745

All rights reserved

Date:

20 January 2020

Description:

Linear Actuator LA28



WE IMPROVE YOUR LIFE