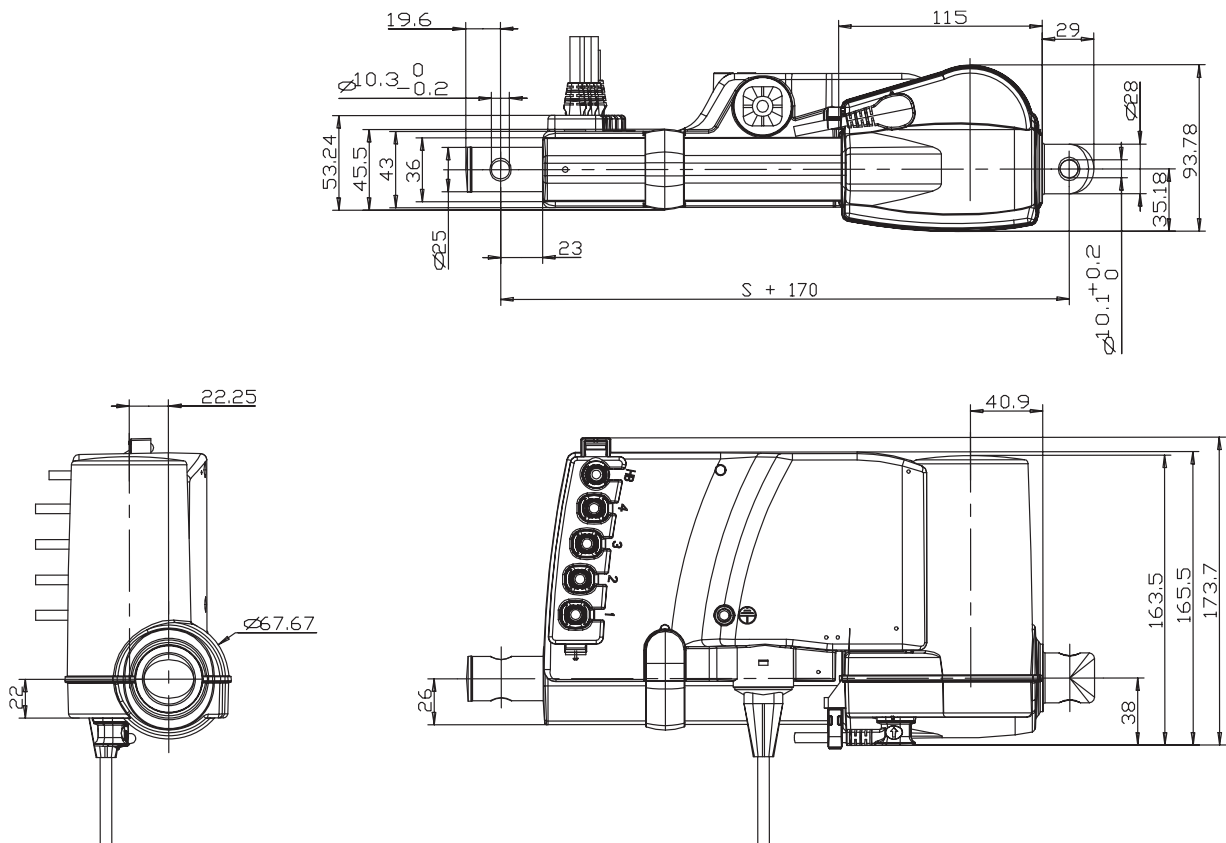


Drawing no.: LA27001B



Drawing no.: CB6_LA27001B

All rights reserved

Date:

17 June 2010

Description:

Linear Actuator LA27



WE IMPROVE YOUR LIFE