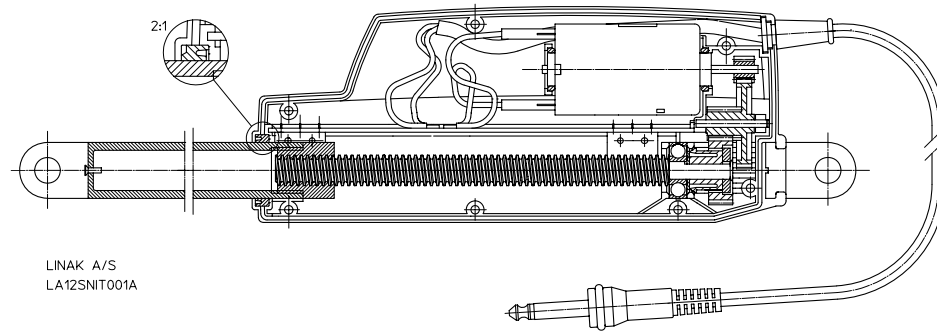


Drawing no.: 012902_3



LINAK A/S
LA12SNIT001A

Drawing no.: LA12SNIT001A

All rights reserved

Date:

17 June 2010

Description:

Linear Actuator LA12 PLC

LINAK® 
WE IMPROVE YOUR LIFE