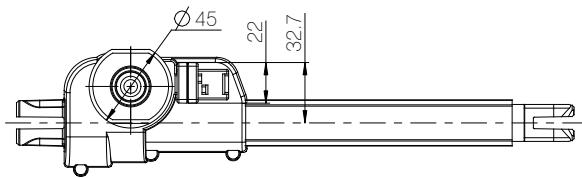
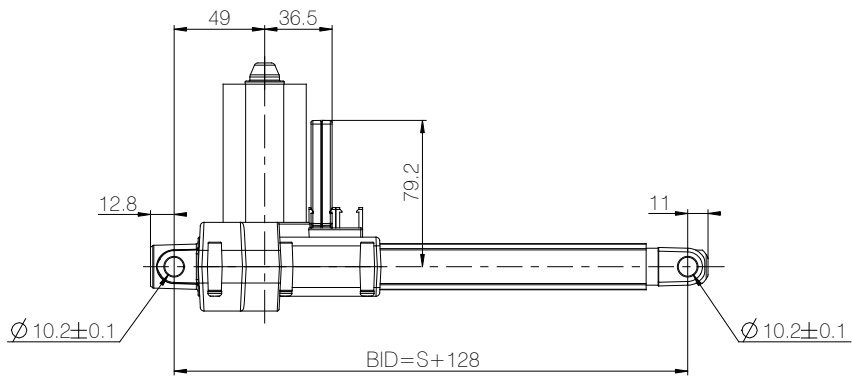


LA10



BLE2DC mounted in the LA10

All rights reserved

Date:  
28 October 2020

Description:

Linear Actuator LA10

**LINAK**®   
WE IMPROVE YOUR LIFE