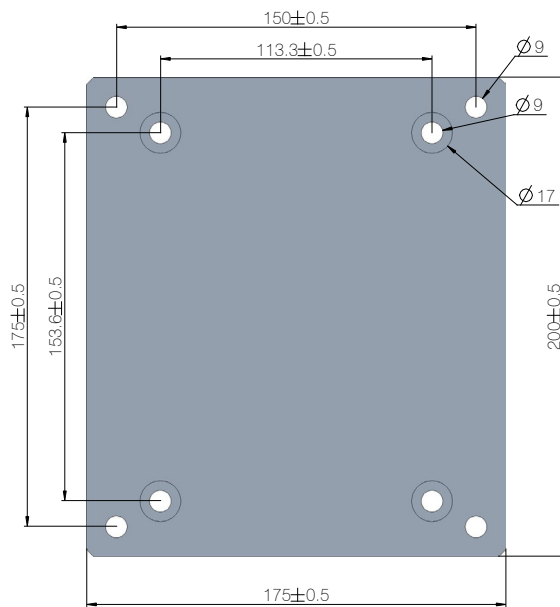


LC1 DESKLINE top end plate



LC1 DESKLINE bottom end plate

All rights reserved

Date:
22 August 2024

Description:

Top and bottom end plates
for LC1 DESKLINE column

LINAK® 
WE IMPROVE YOUR LIFE