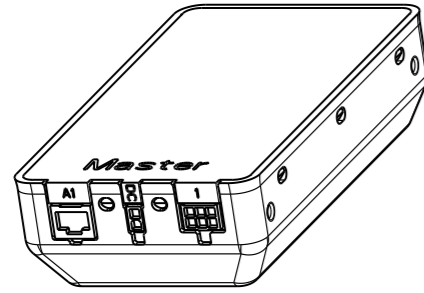
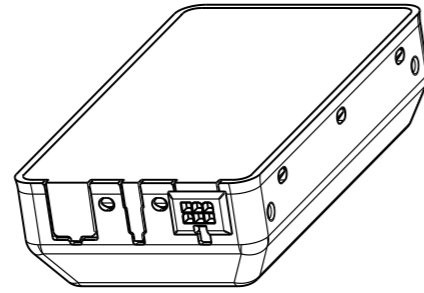


Socket



IC Master

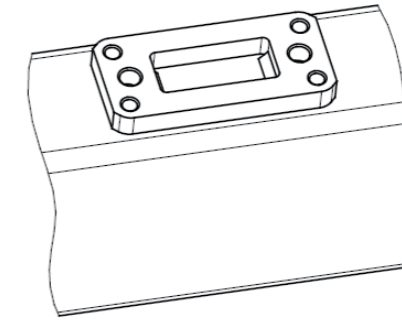


IC Follower

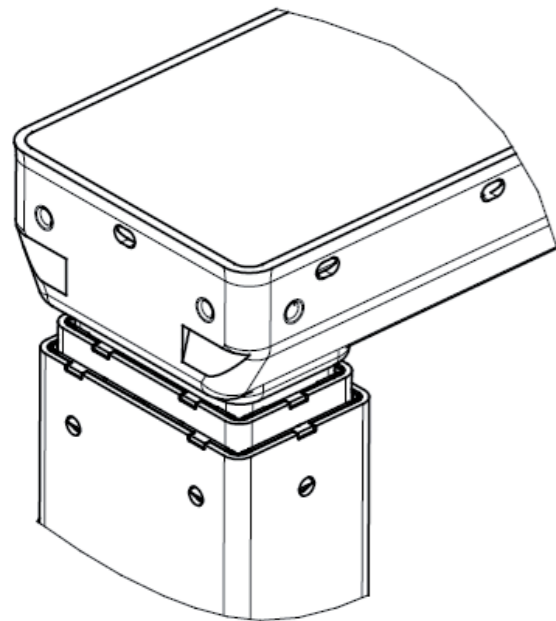
Combination code	Type
DL6xxxxMxxxxxx	IC Master
DL6xxxxSxxxxxx	IC Follower

Socket combination

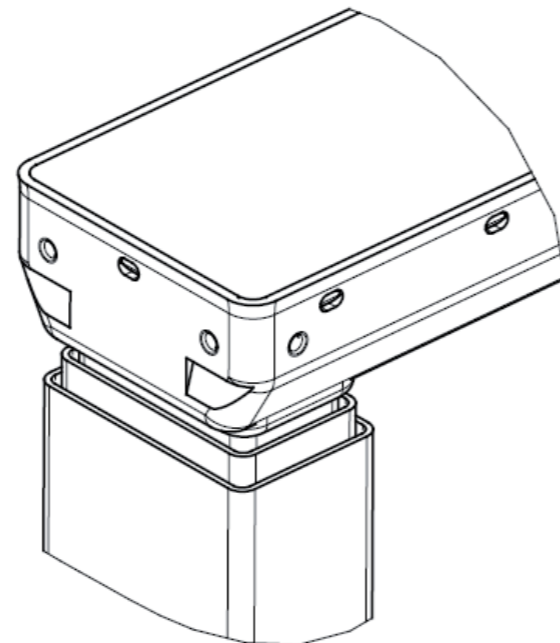
Bench bracket



Profile designs



Standard



PLUS™

Profile designs

All rights reserved

Date:
13 January 2021

Description:

Lifting Column DL6 IC -
Socket and Bracket

