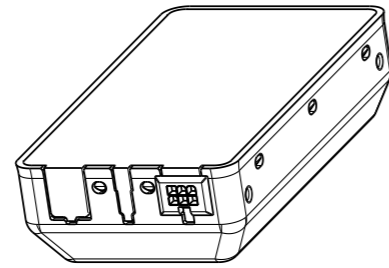


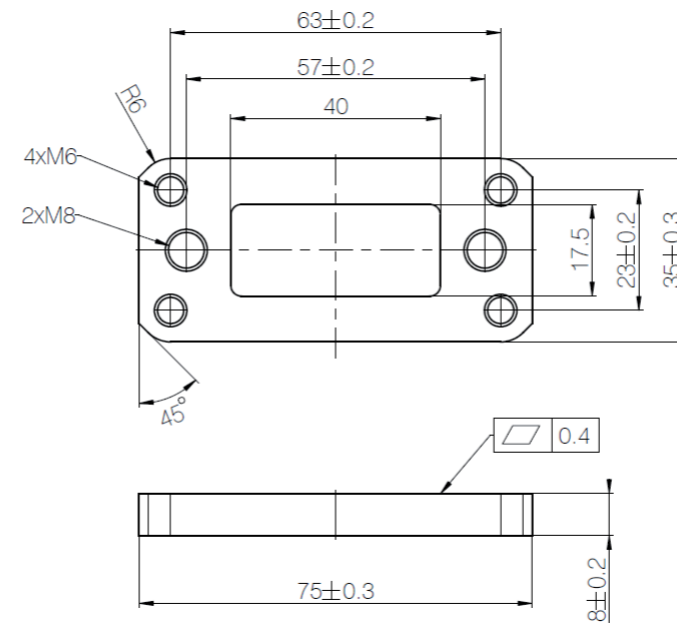
IC Master



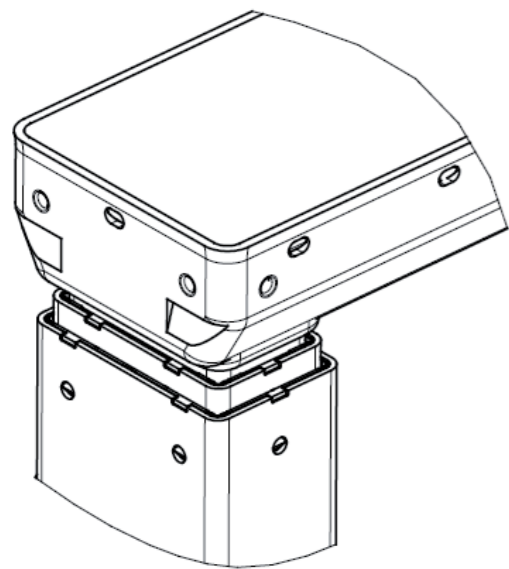
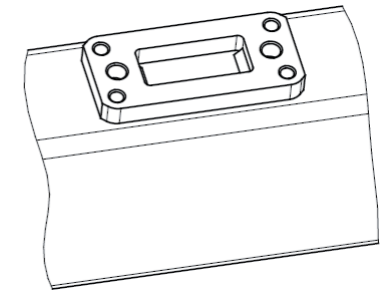
IC Slave

Combination code	Type
DL6xxxxxMxxxxxx	IC Master
DL6xxxxxSxxxxxx	IC Slave

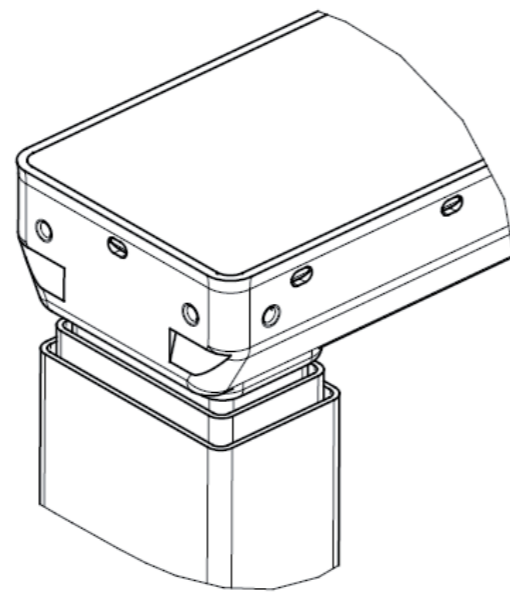
Socket combination



Bench bracket dimensions (mm)



Standard



PLUS™

Profile designs

All rights reserved

Date:
3 February 2020

Description:

Lifting Column DL6 IC -
Socket and Bracket

