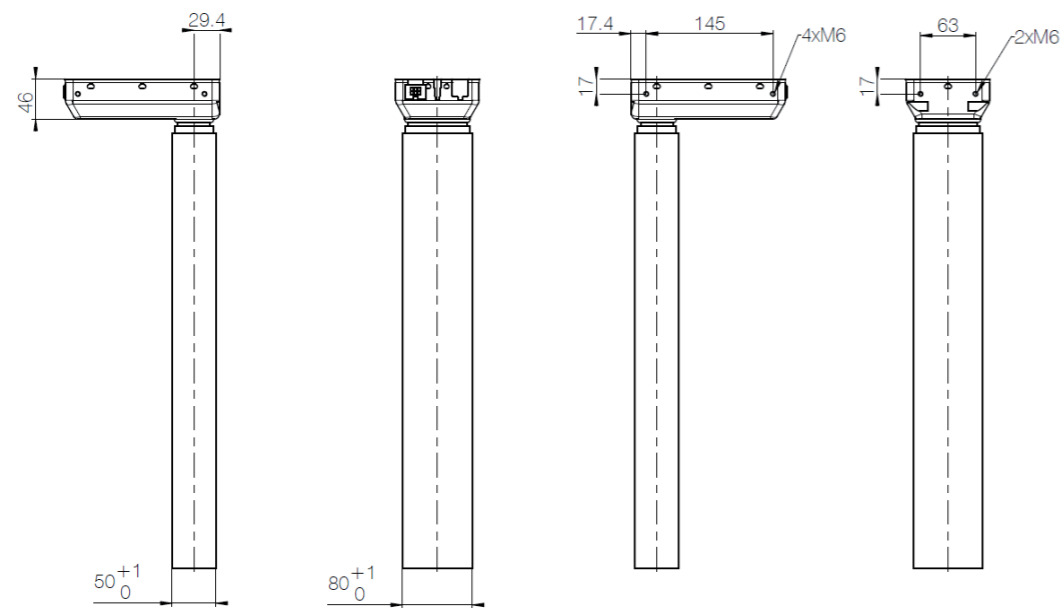
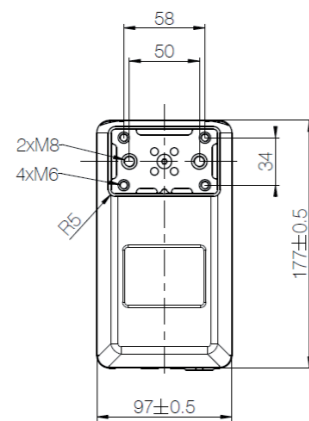


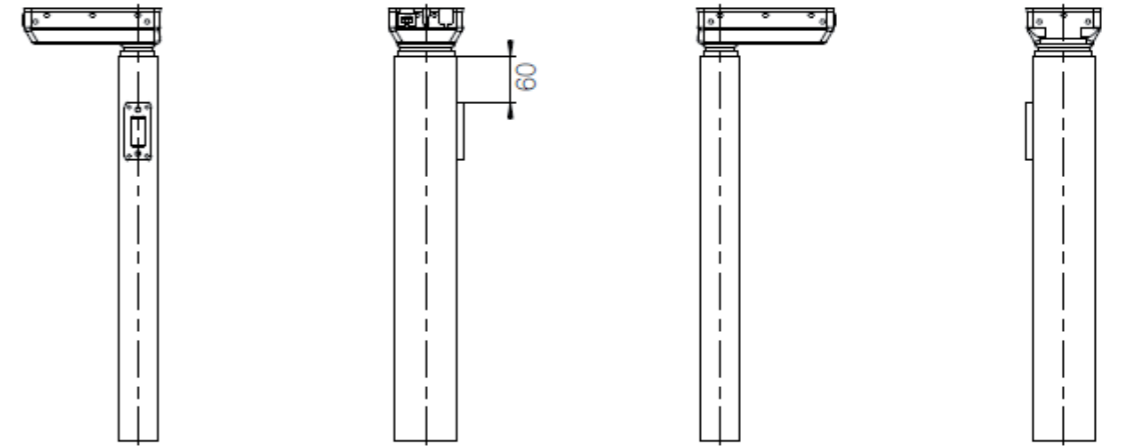
Version	Combination code	B (Built-in length) [mm]	S (Stroke length) [mm]	O (Outer profile length) [mm]
EU	DL6xxxxx650560	560	650	498
BIFMA	DL6xxxxx665518	518	665	456

DL6 built-in length, stroke length and outer profile length (mm)

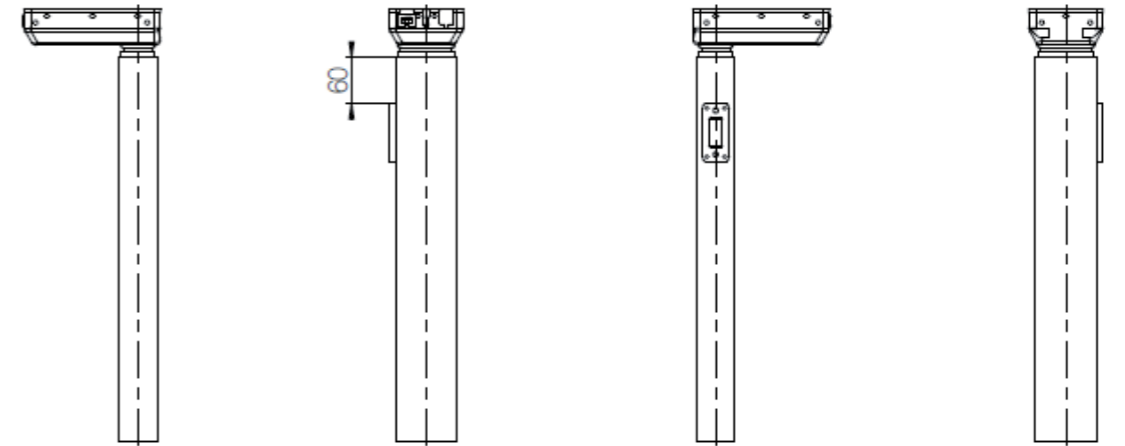


DL6 motor housing and profile dimensions (mm)

Bench left



Bench right



Combination code	Bench left	Bench right
DL6xxLxxSxxxxxx	X	
DL6xxRxxMxxxxxx		X

All rights reserved

Date:  
3 February 2020

Description:

Lifting Column DL6 IC

