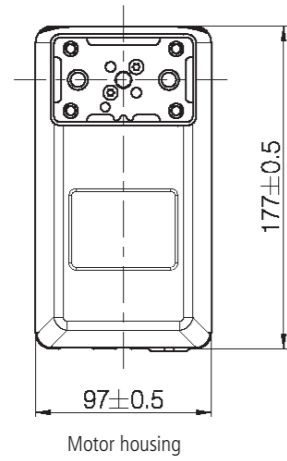
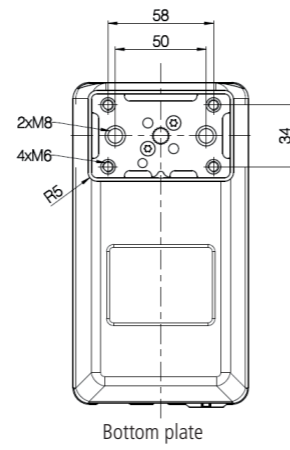


Version	Combination code	B (Built-in length) [mm]	S (Stroke length) [mm]	O (Outer profile length) [mm]
EU	DL6xxxxx650560	560	650	498
BIFMA	DL6xxxxx665518	518	665	456

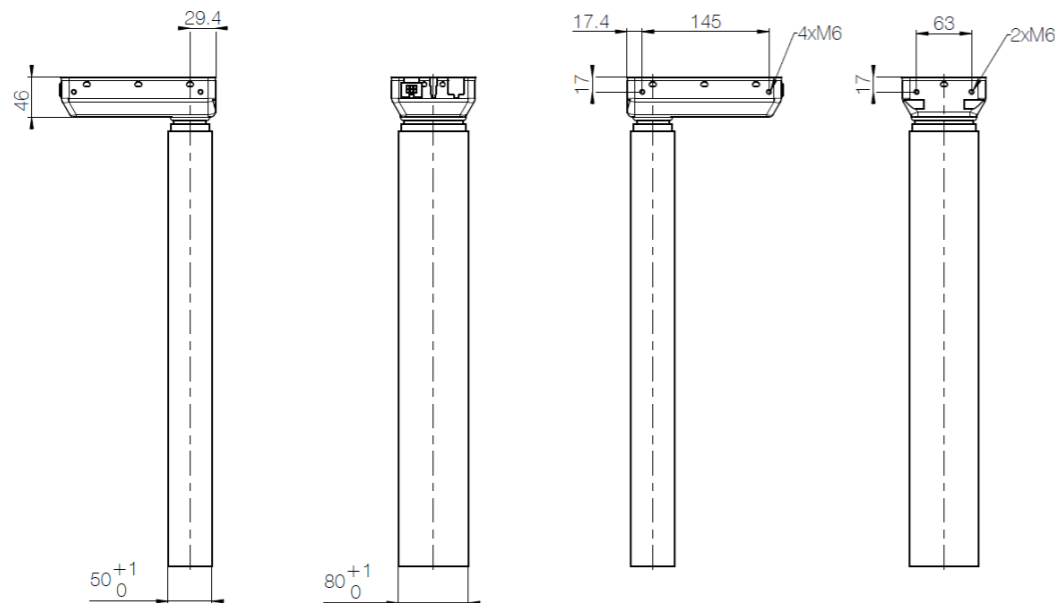
DL6 built-in length, stroke length and outer profile length (mm)



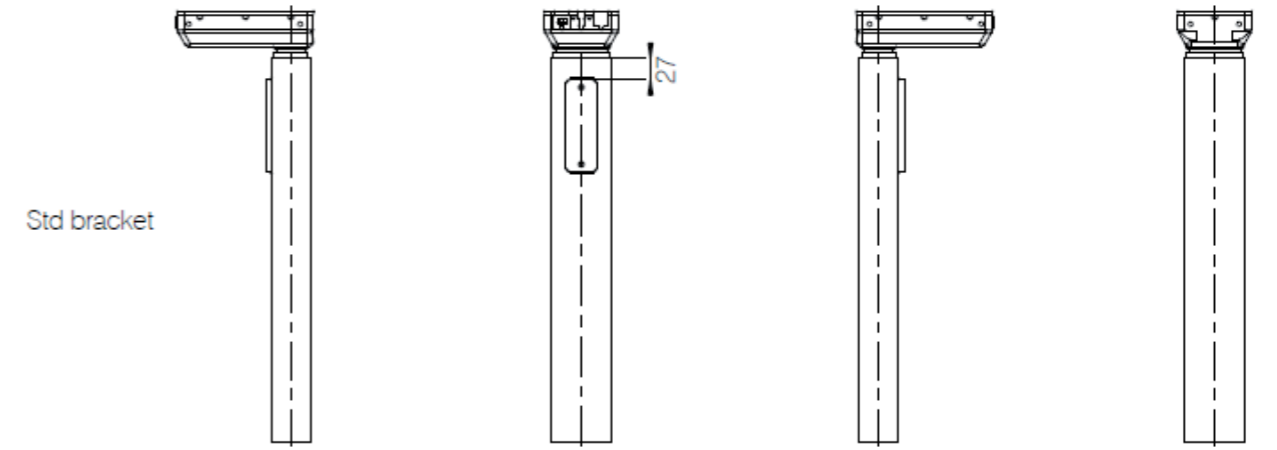
Motor housing



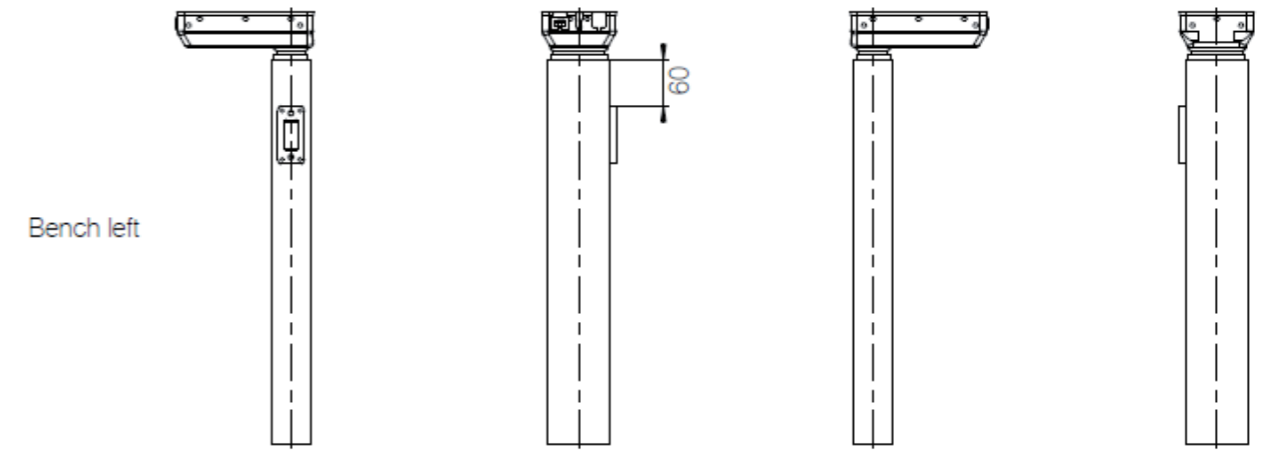
Bottom plate



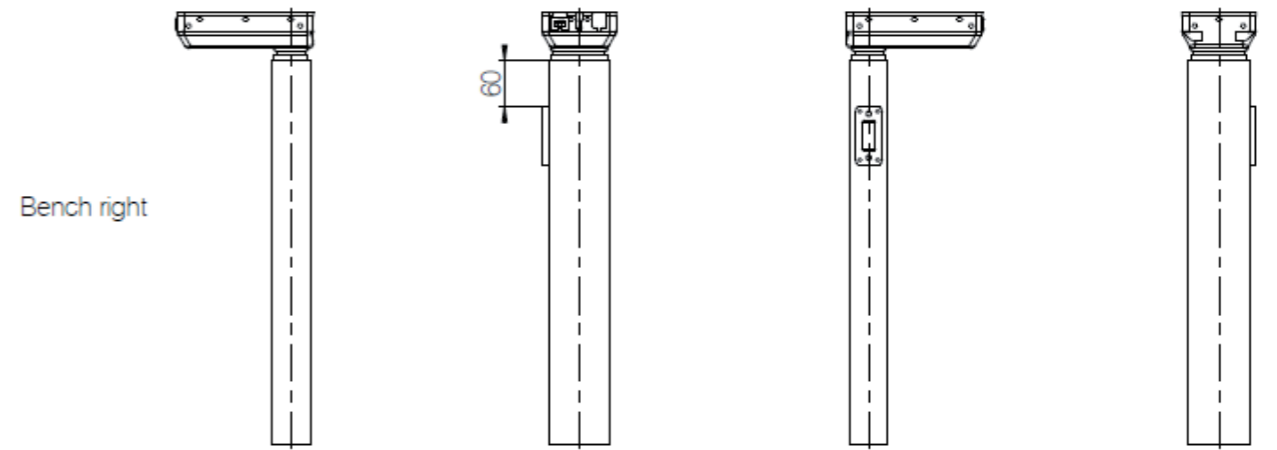
DL6 dimensions (mm)



Std bracket



Bench left



Bench right

Combination code	Std bracket	Bench left	Bench right
DL6xx1xxxxxxxx	X		
DL6xxLxxxxxxxx		X	
DL6xxRxxxxxxxx			X

Bracket options (dimensions in mm)