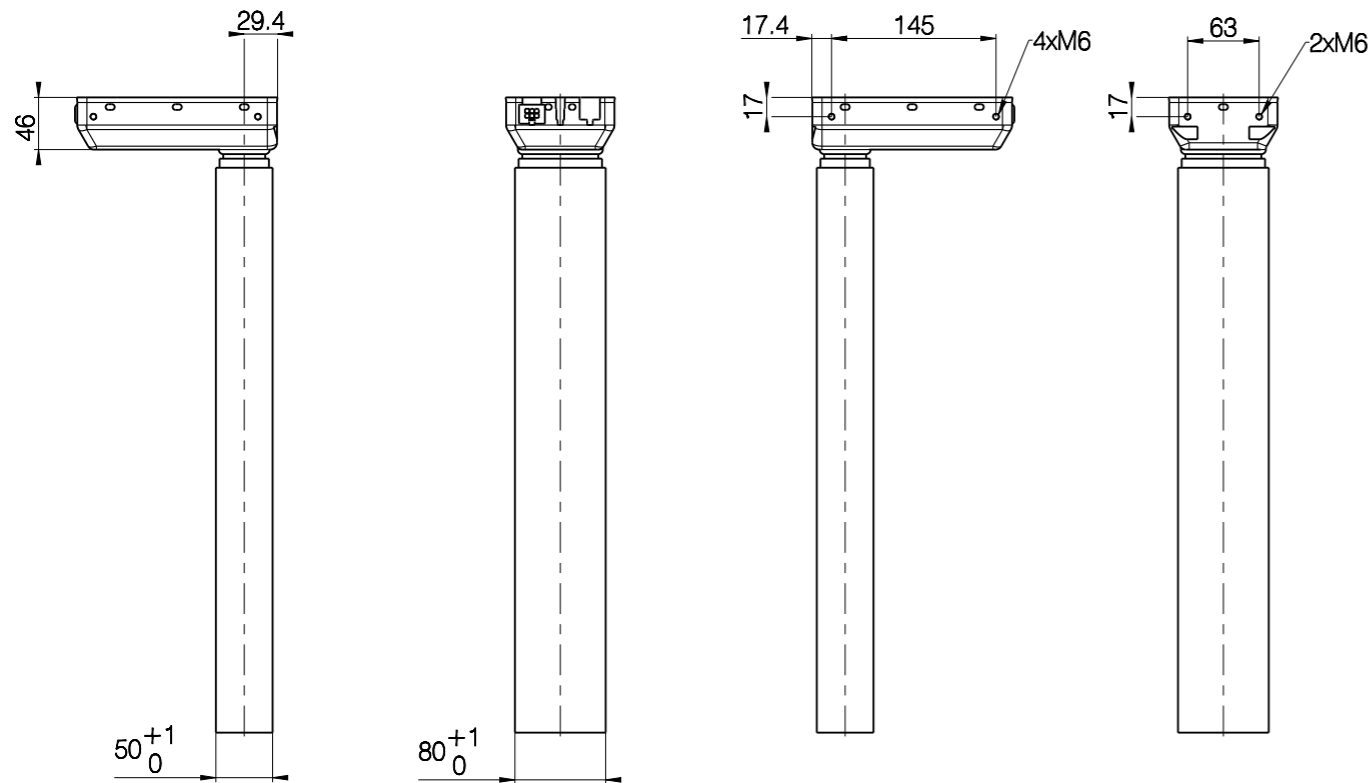
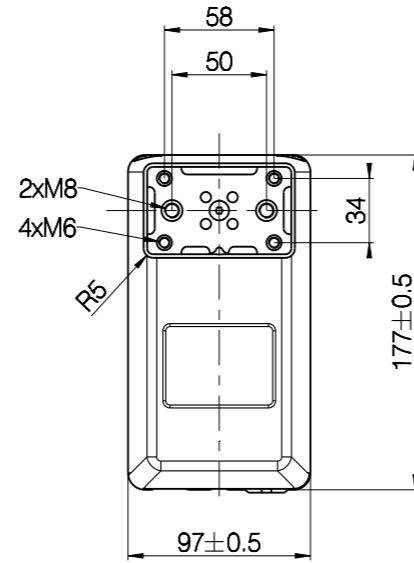
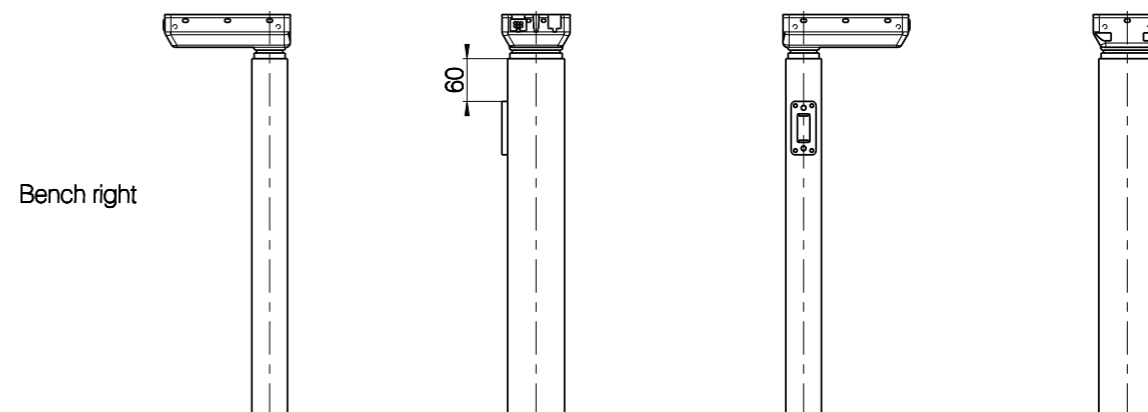
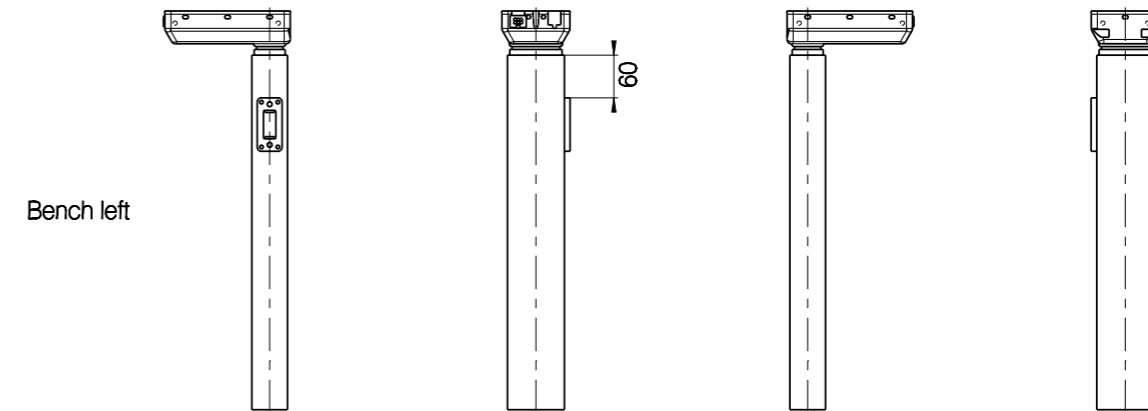
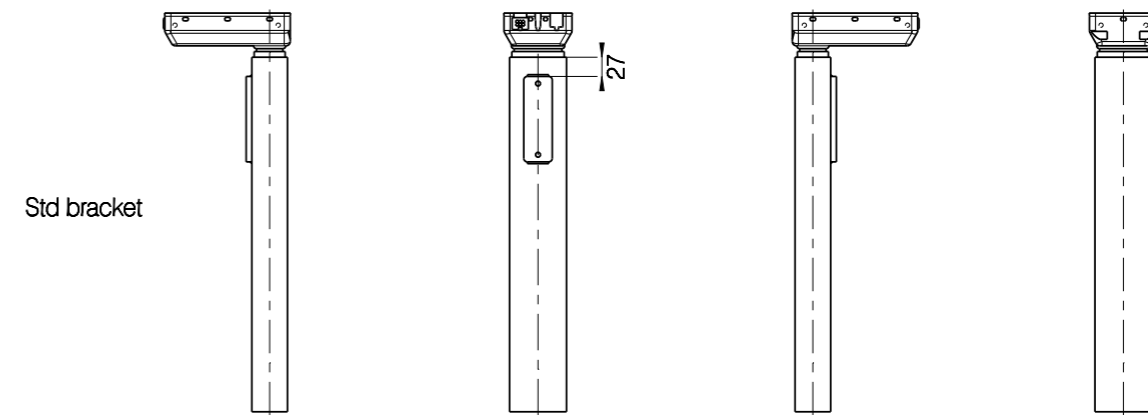


Dimensions			
Combination code	S (Stroke)	B (Built-in)	O (Outer profile)
DL6xxxxx650560	650	560	498
DL6xxxxx665518	665	518	456



Bracket option			
Combination code	Std bracket	Bench left	Bench right
DL6x1xxxxxxxx	X		
DL6xLxxxxxxxx		X	
DL6xRxxxxxxxx			X
DL6xLxSxxxxx		X	
DL6xRxMxxxxx			X



All rights reserved

Date:  
23 January 2020

Description:

Lifting Column DL6

