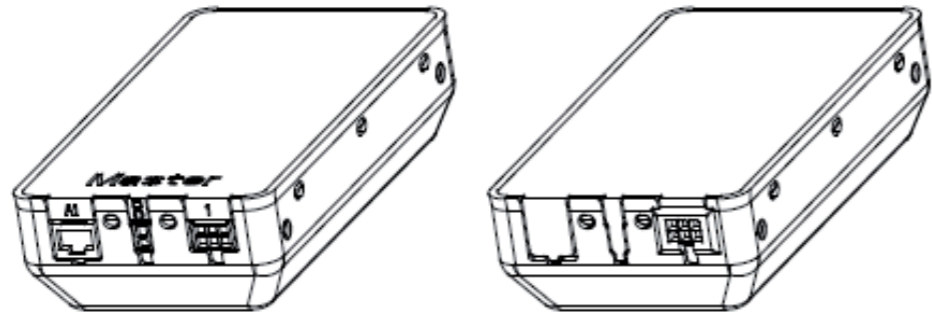


Socket



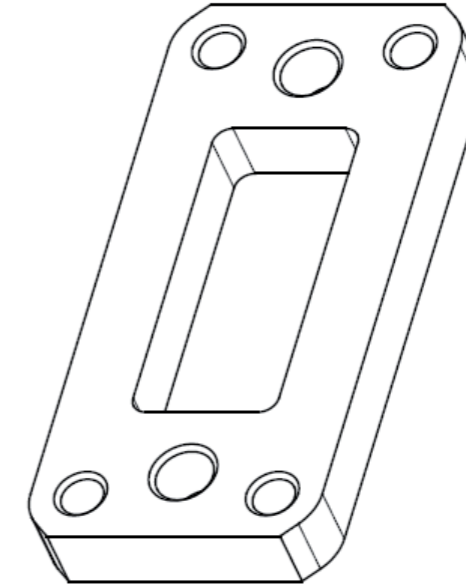
IC Master

IC Follower

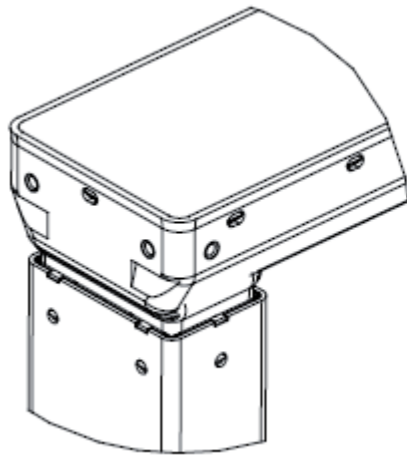
Combination code	Type
DL5xxxxMxxxxx	IC Master
DL5xxxxSxxxxx	IC Follower

Socket combination

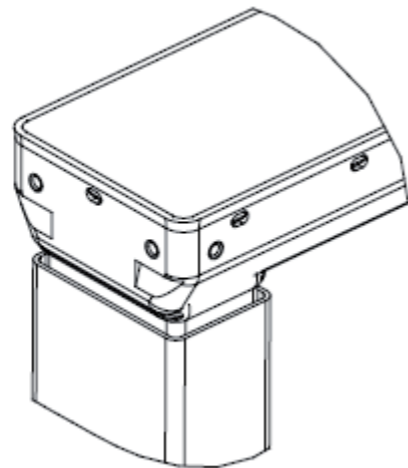
Bench bracket



Profile designs



Standard



PLUS™