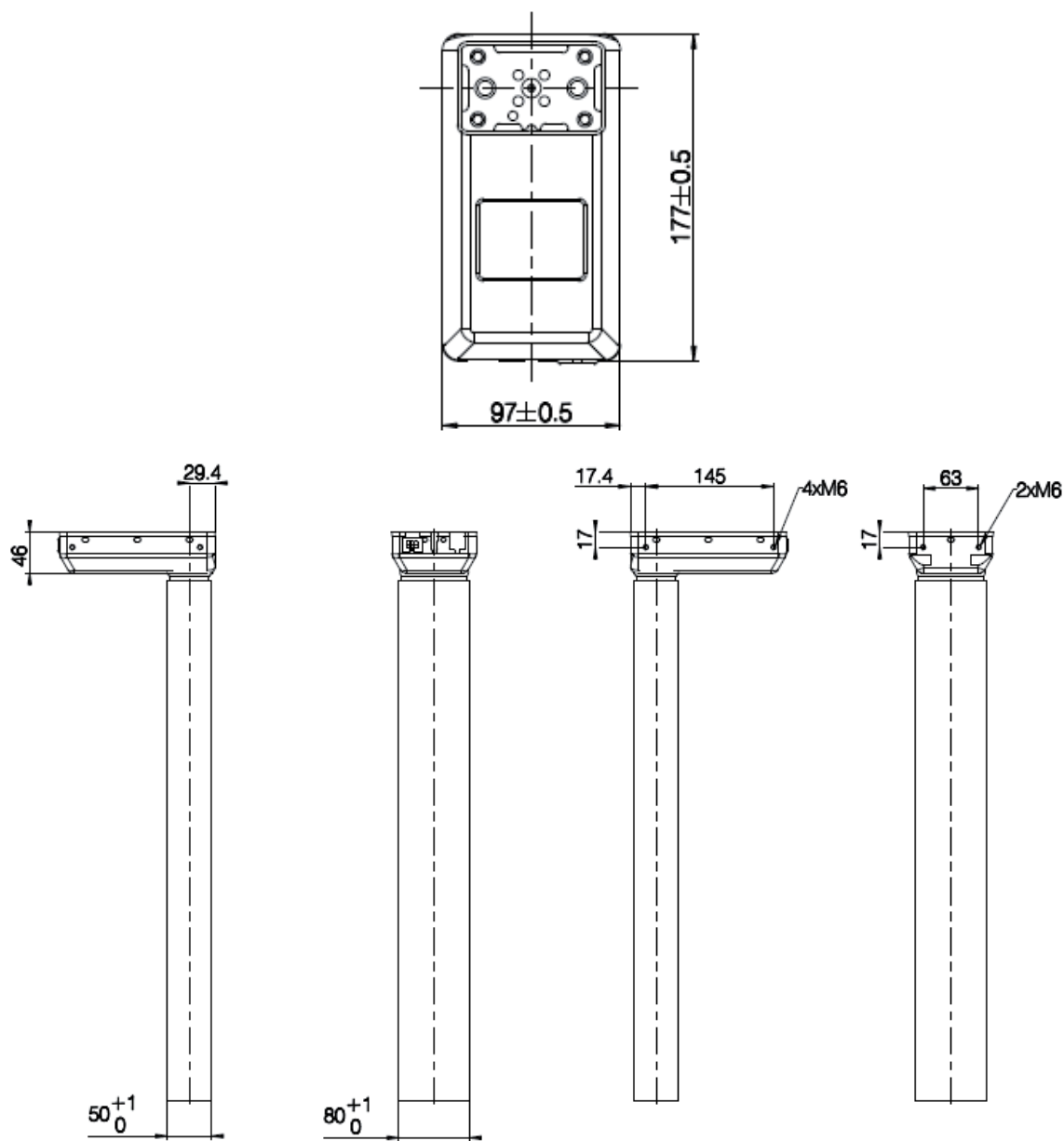


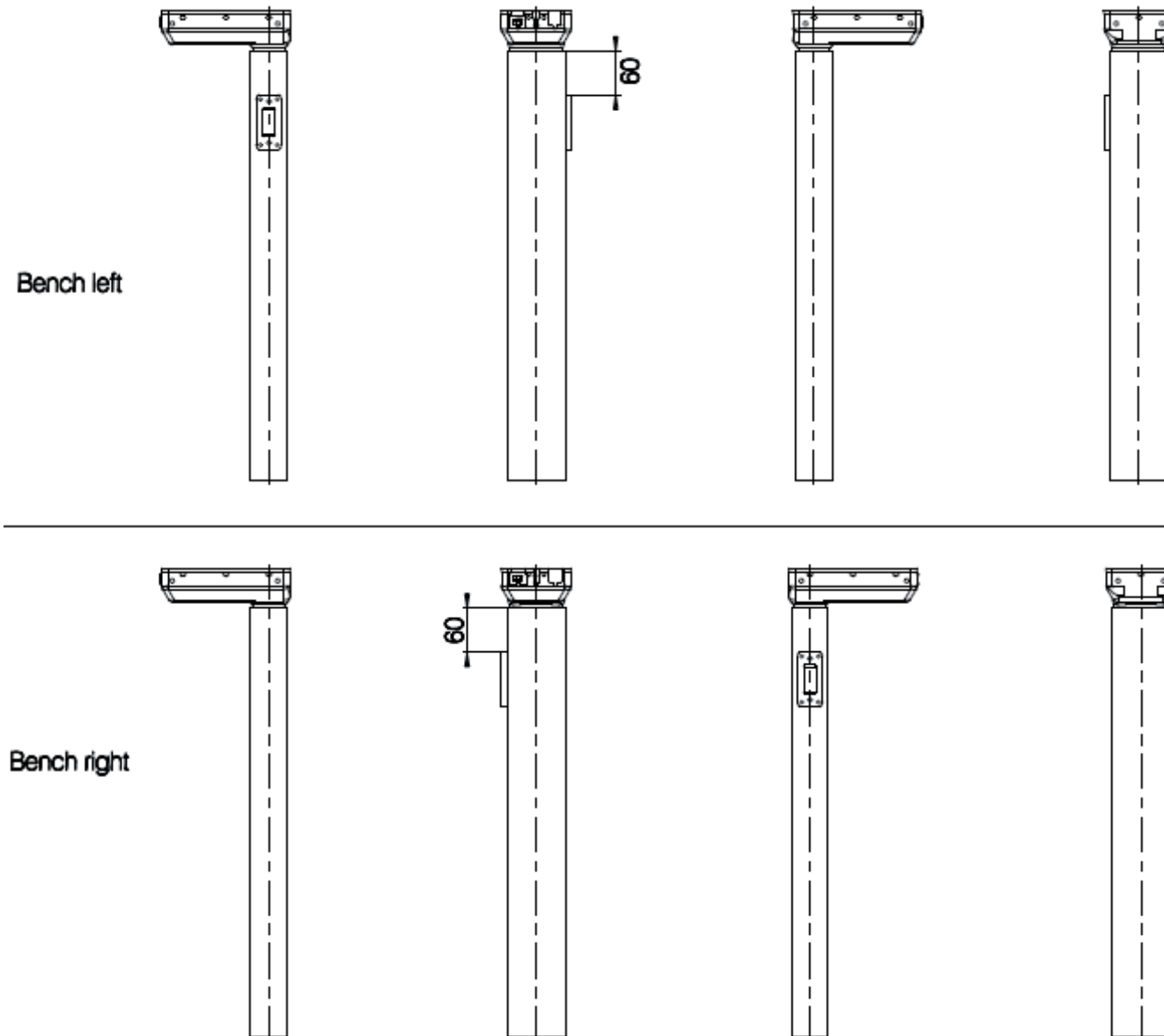
Version	Combination code	B (Built-in length) [mm]	S (Stroke length) [mm]	O (Outer profile length) [mm]
EU	DL5xxxxx645500	645	500	590

DL5 built-in length, stroke length, and outer profile length (mm)

DL5 IC motor housing and profile dimensions (mm)



DL5 IC Bracket options



Combination code	Bench left	Bench right
DL5xxLxxSxxxxxx	X	
DL5xxRxxMxxxxxx		X

Bracket options (dimensions in mm)