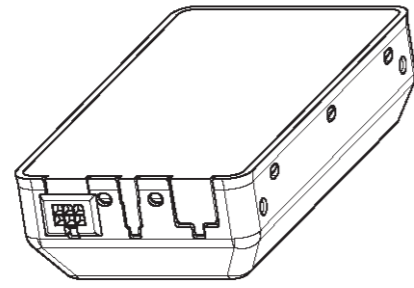


Socket

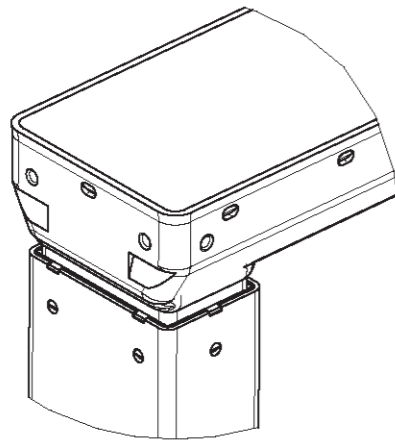


Standard

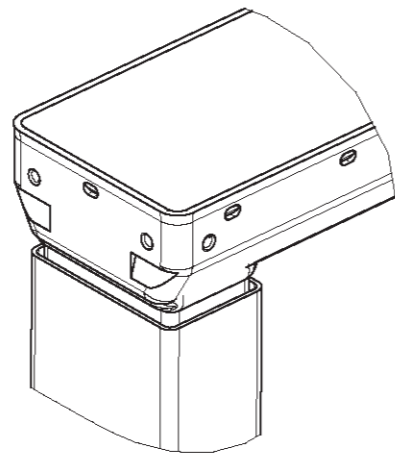
Combination code	Type
DL5xxxxx0xxxxxx	Standard

Socket combination

Profile designs

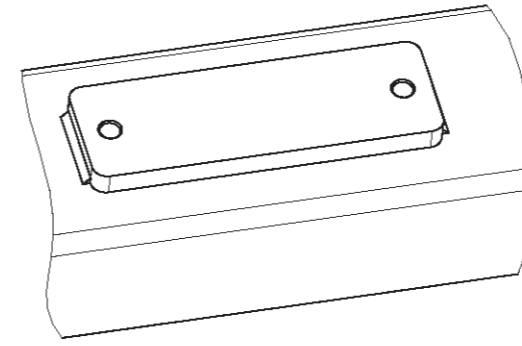


Standard

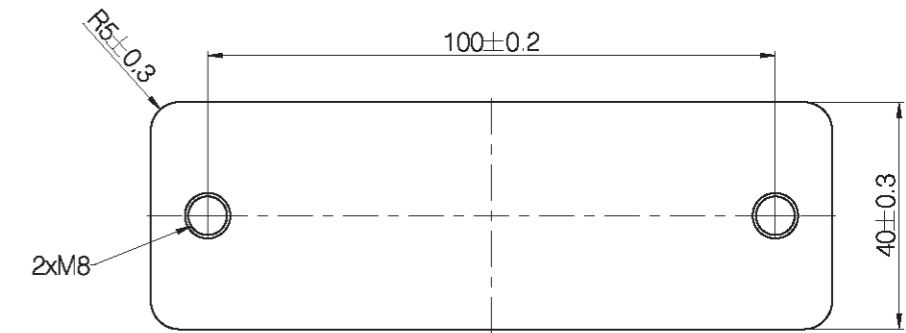


PLUS™

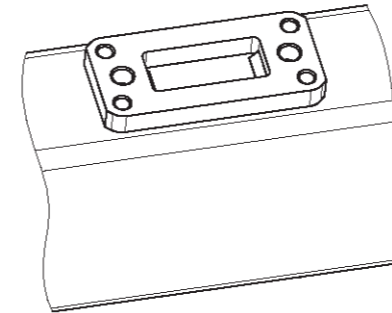
Standard bracket



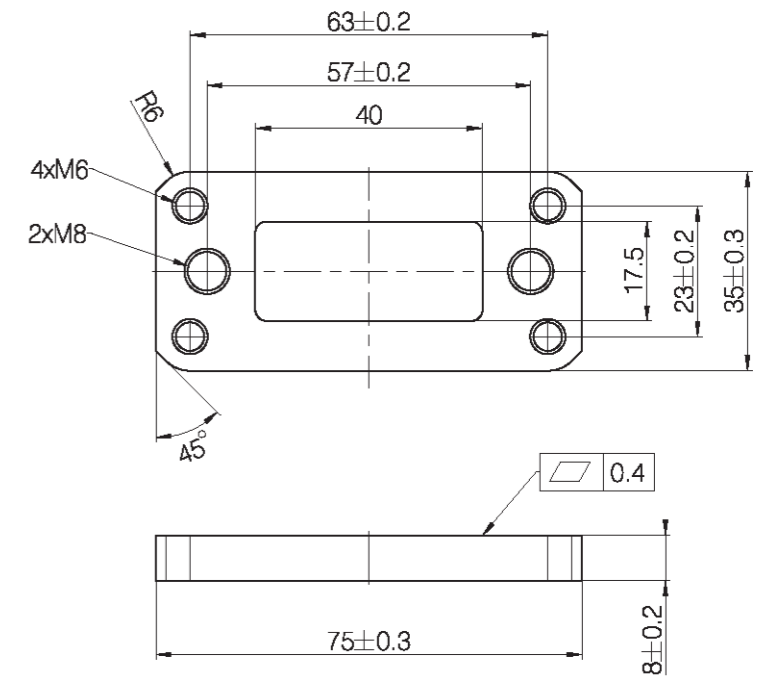
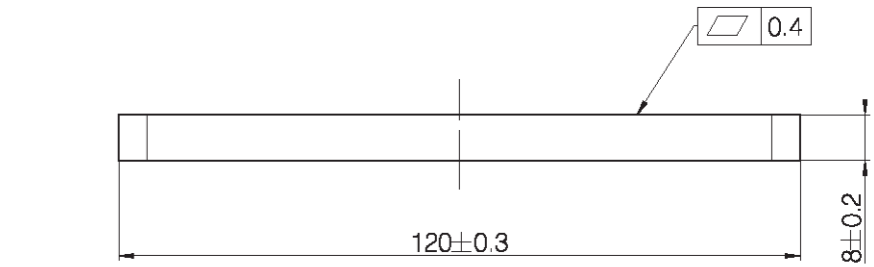
Standard bracket



Bench bracket



Bench bracket



All rights reserved

Date:  
10 September 2020

Description:

Lifting Column DL5 -  
Socket and Bracket

