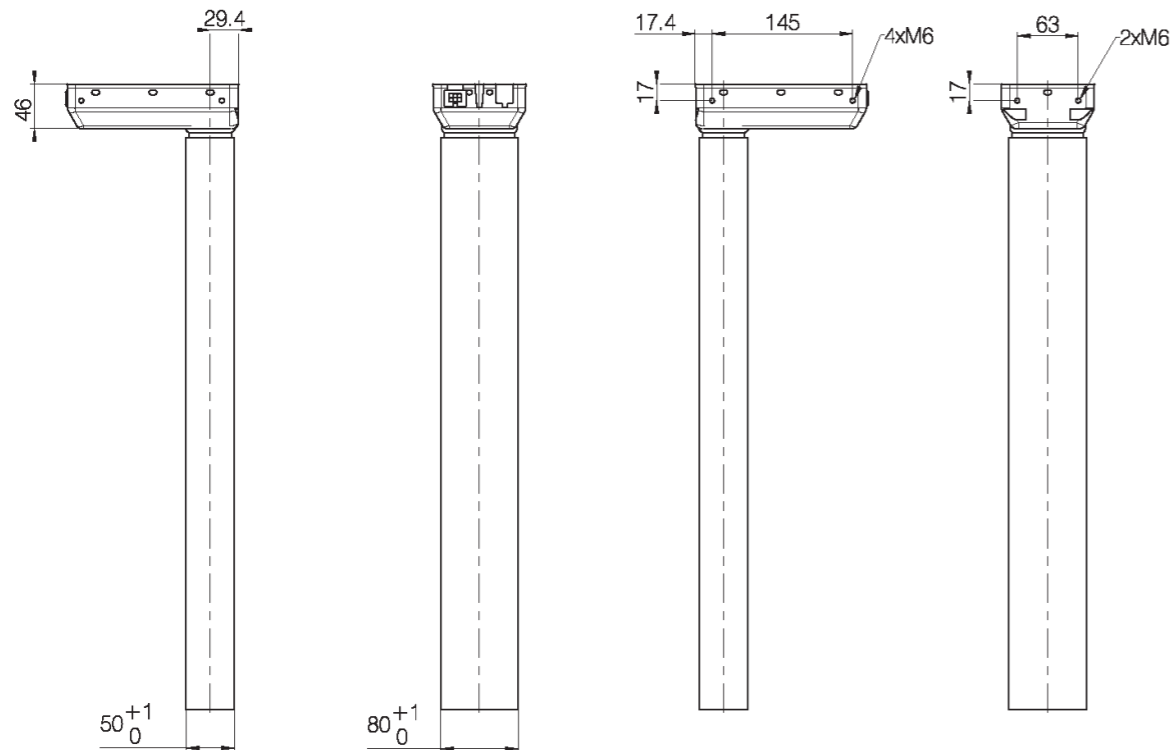
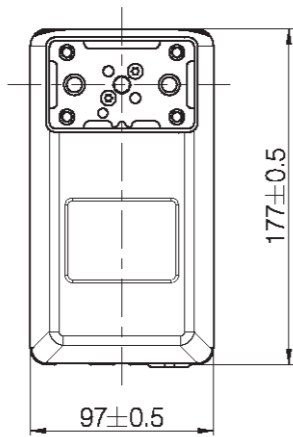


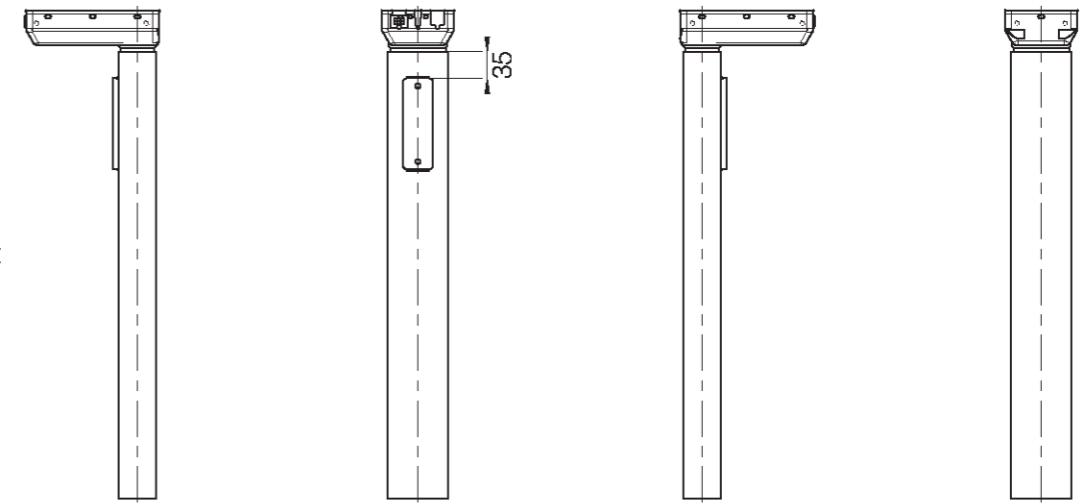
Version	Combination code	B (Built-in length) [mm]	S (Stroke length) [mm]	O (Outer profile length) [mm]
EU	DL5xxxxx645500	645	500	590

DL5 built-in length, stroke length, and outer profile length (mm)

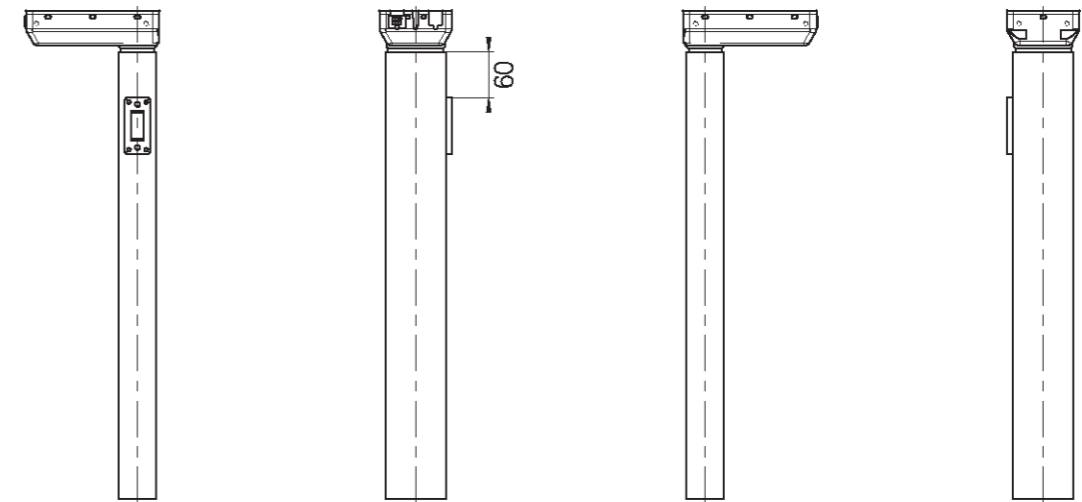


DL5 motor housing and profile dimensions (mm)

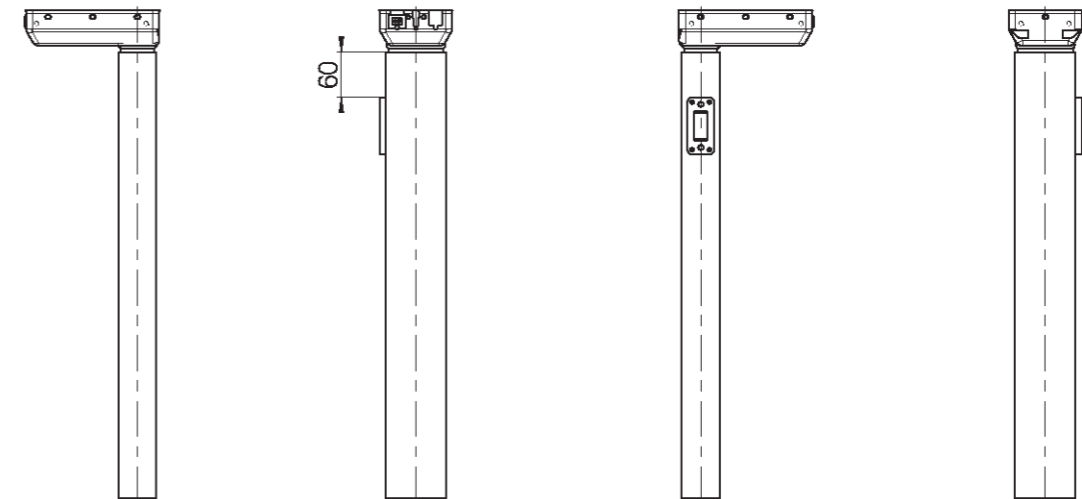
Std bracket



Bench left




Bench right



Combination code	Std bracket	Bench left	Bench right
DL5xx1xxxxxxxx	X		
DL5xxLxxxxxxxx		X	
DL5xxRxxxxxxxx			X

Bracket options (dimensions in mm)

All rights reserved	Date: 10 September 2020
Description: Lifting Column DL5	
 WE IMPROVE YOUR LIFE	