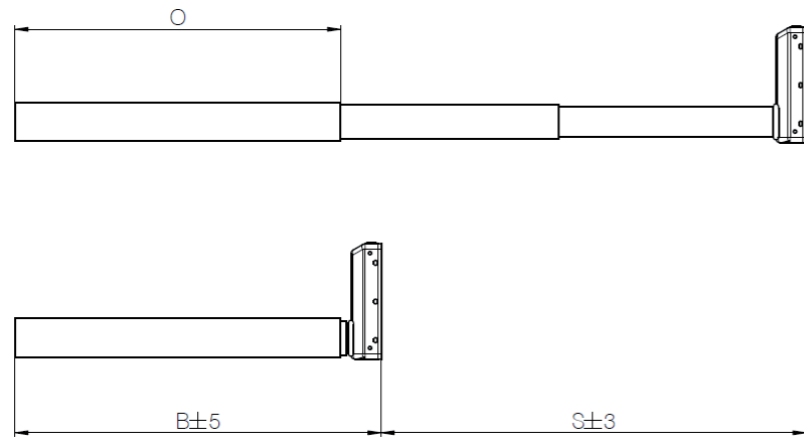


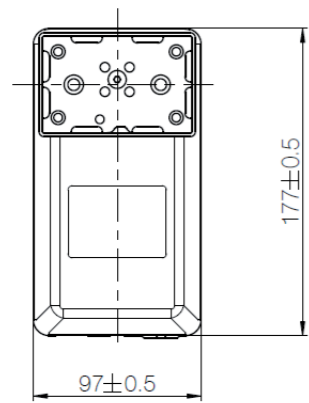


All measurements are without powder coating.

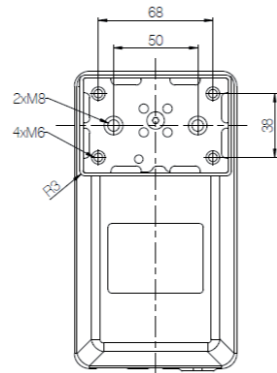


Version	Combination code	B (Built-in length) [mm]	S (Stroke length) [mm]	O (Outer profile length) [mm]
EU	DL21xxxxx650560	560	650	498
BIFMA	DL21xxxxx665518	518	665	456

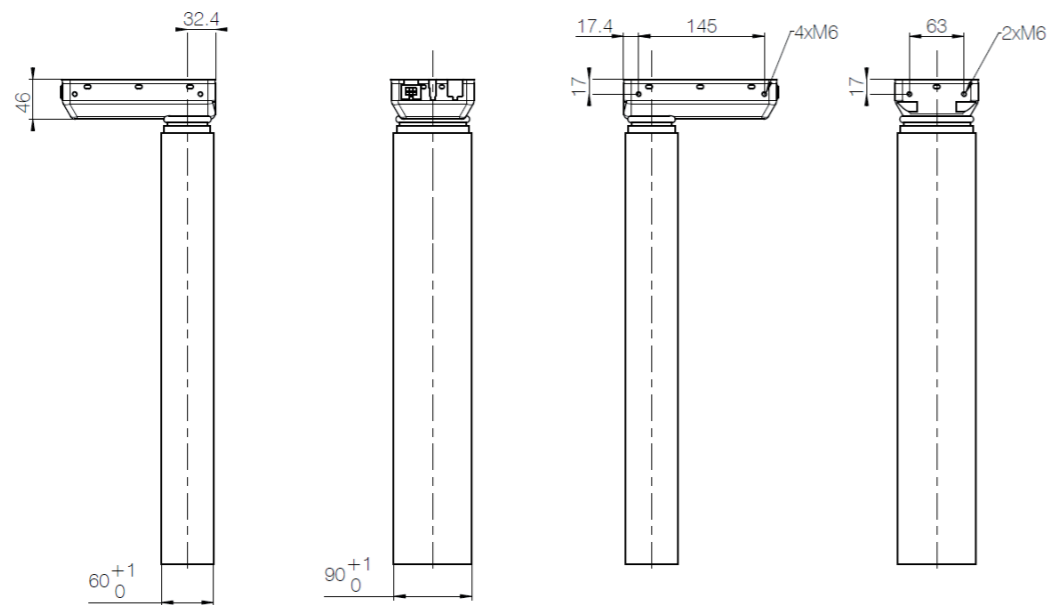
DL21 built-in length, stroke length, and outer profile length (mm)



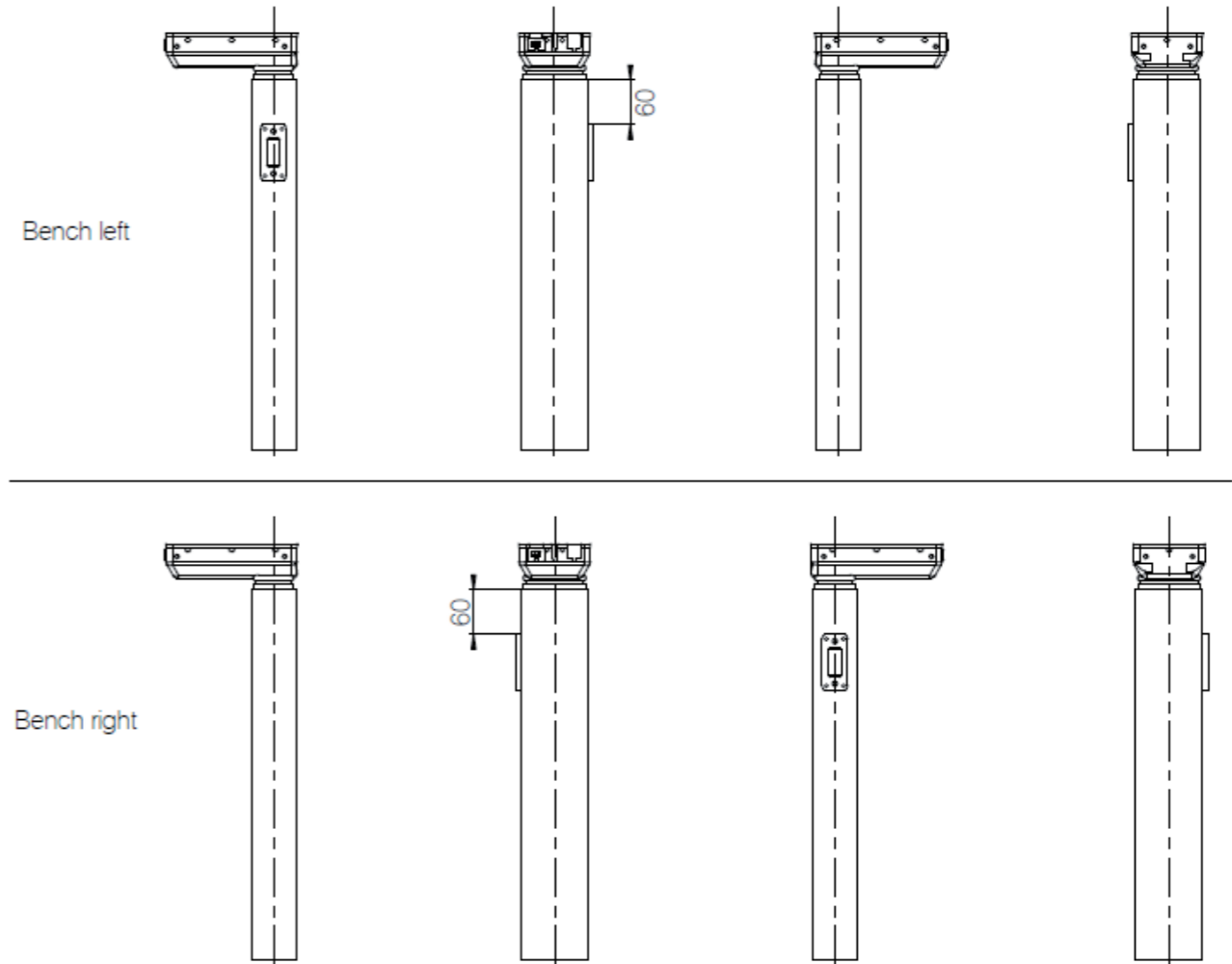
Motor housing



Bottom plate



DL21 IC dimensions (mm)



Combination code	Bench left	Bench right
DL21xxLxxSxxxxxx	X	
DL21xxRxxMxxxxxx		X

Bracket options (dimensions in mm)

All rights reserved

Date: 8 April 2021

Description:

Lifting Column DL21 IC

