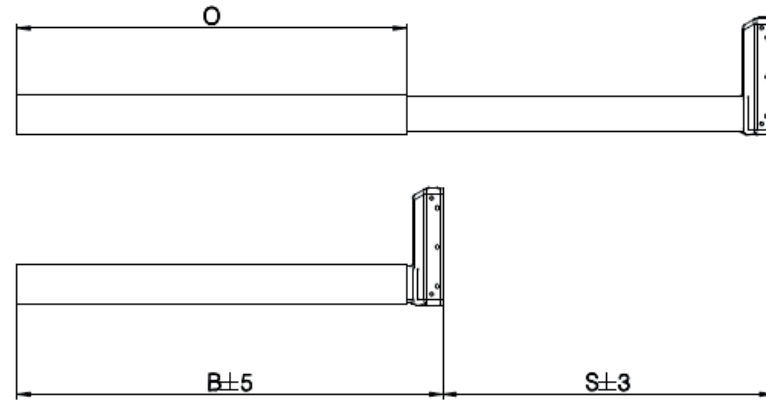


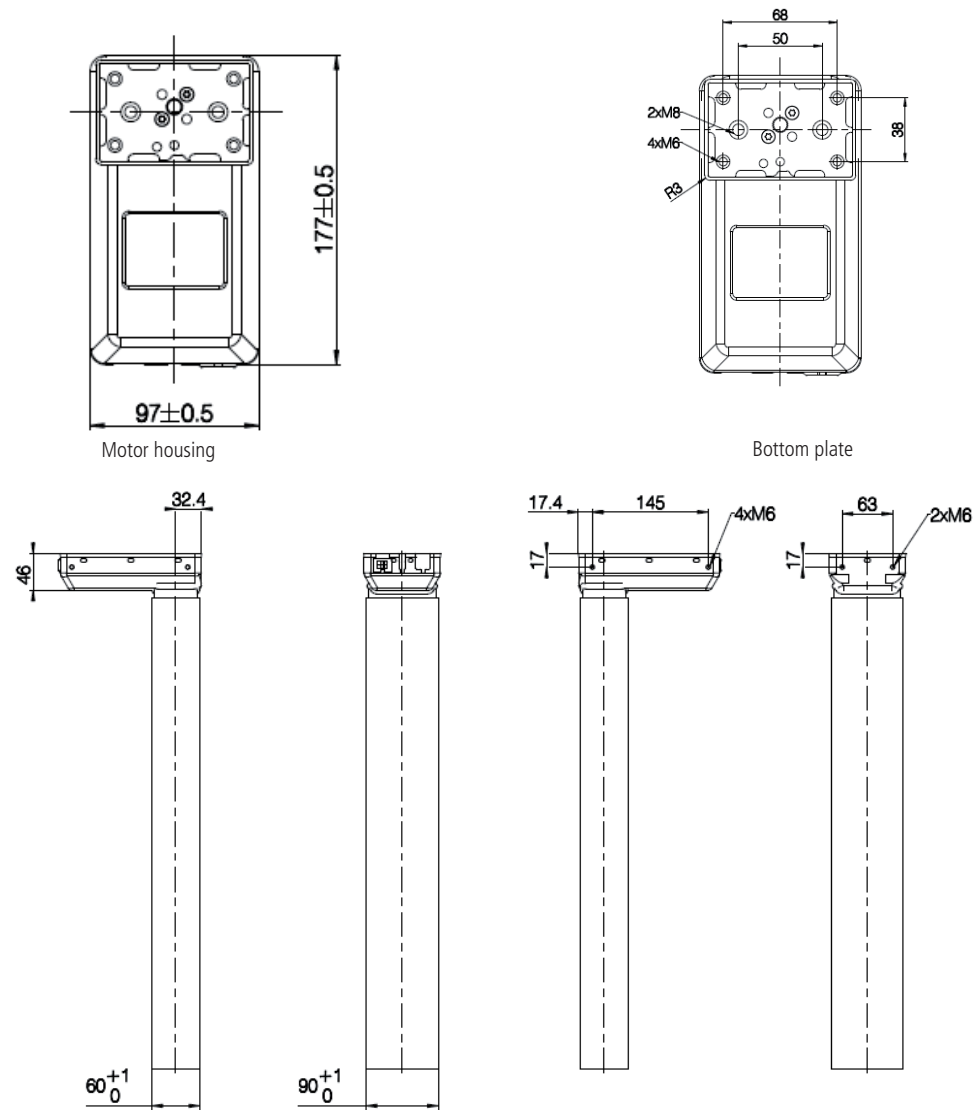


All measurements are without powder coating.



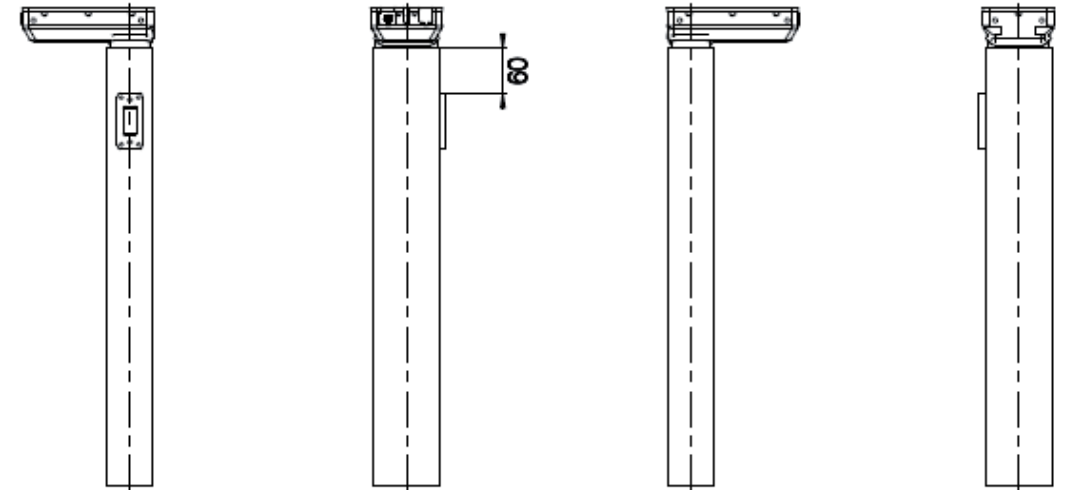
Version	Combination code	B (Built-in length) [mm]	S (Stroke length) [mm]	O (Outer profile length) [mm]
EU	DL20xxxxx500645	645	500	590

DL20 IC built-in length, stroke length, and outer profile length (mm)

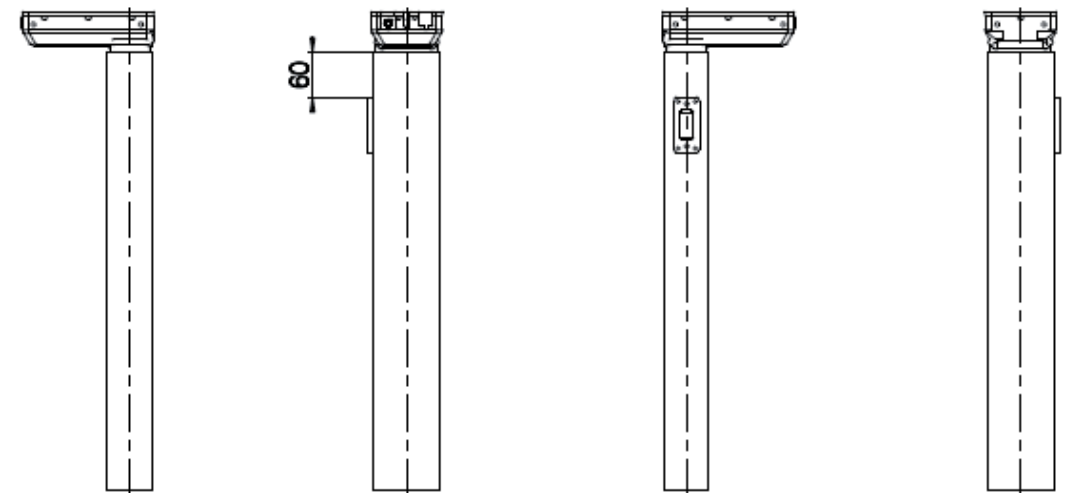


DL20 IC dimensions (mm)

Bench left



Bench right



Combination code	Bench left	Bench right
DL20xxLxxSxxxxxx	X	
DL20xxRxxMxxxxxx		X

Bracket options (dimensions in mm)

All rights reserved

Date: 25 June 2021

Description:

Lifting Column DL20 IC

