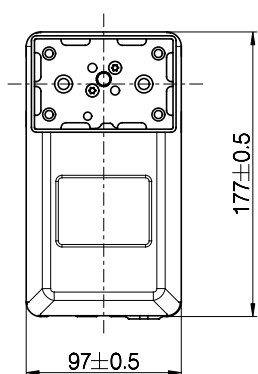
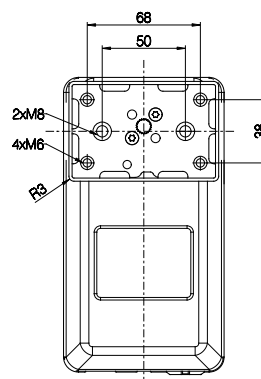


Combination code	B (Built-in length) [mm]	S (Stroke length) [mm]	O (Outer profile length) [mm]
DL20xxxxx500645	645	500	590

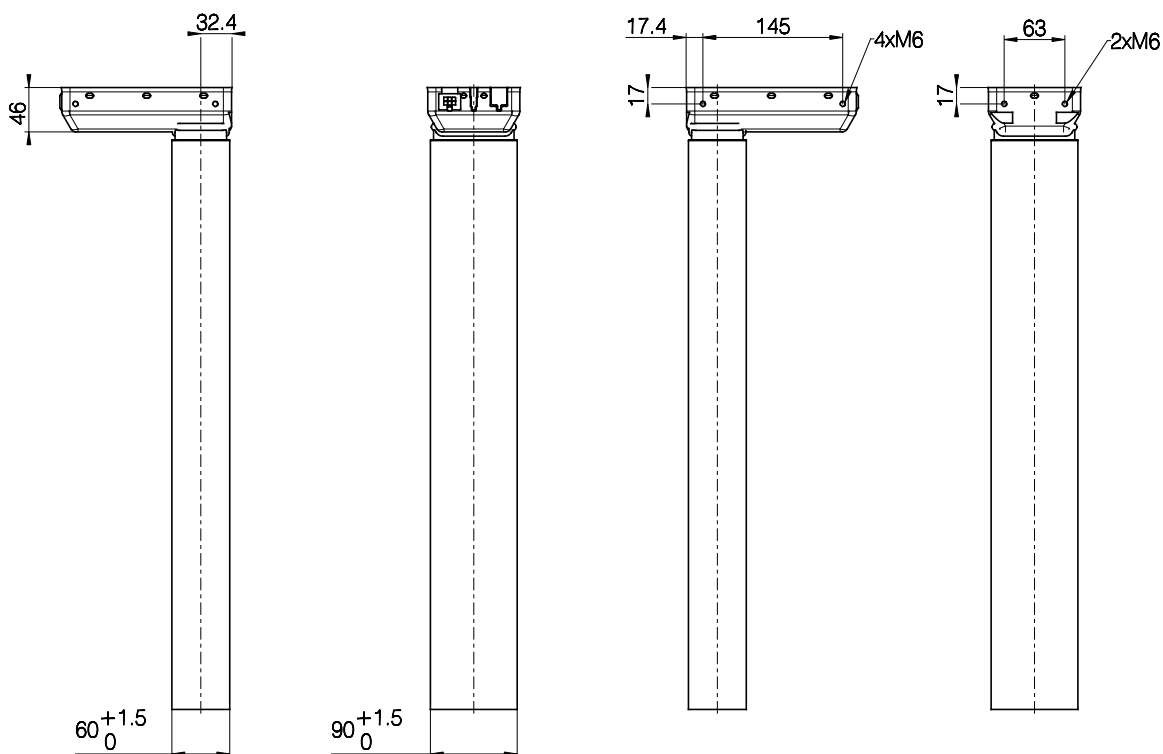
Built-in length, stroke length, and outer profile length



Motor housing



Bottom plate



Profile dimensions (mm)

All rights reserved

Date:

30 June 2023

Description:

DESKLIFT™ Column DL20 IC



WE IMPROVE YOUR LIFE