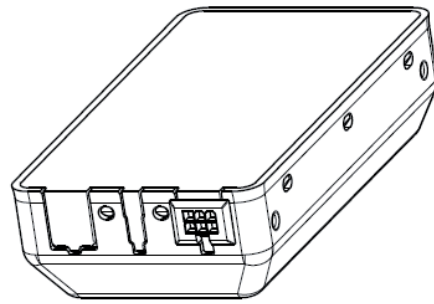


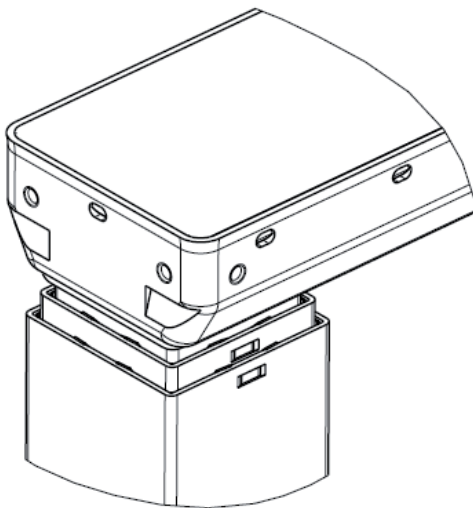
IC Master



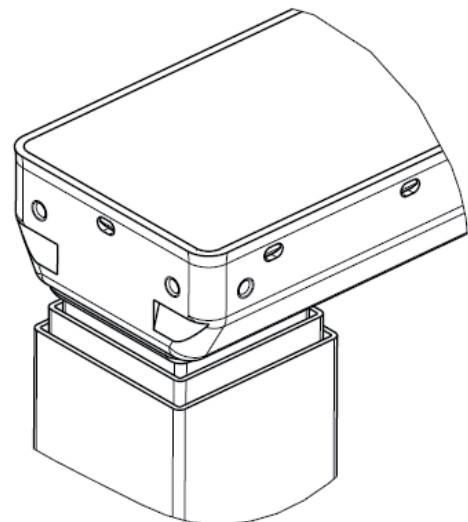
IC Follower

Combination code	Type
DL19xxxxxMxxxxxx	IC Master
DL19xxxxxSxxxxxx	IC Follower

Socket combination



Standard



PLUS™

Profile designs

All rights reserved

Date:

8 April 2021

Description:

Lifting Column DL19 IC -
Socket and Profile designs



WE IMPROVE YOUR LIFE