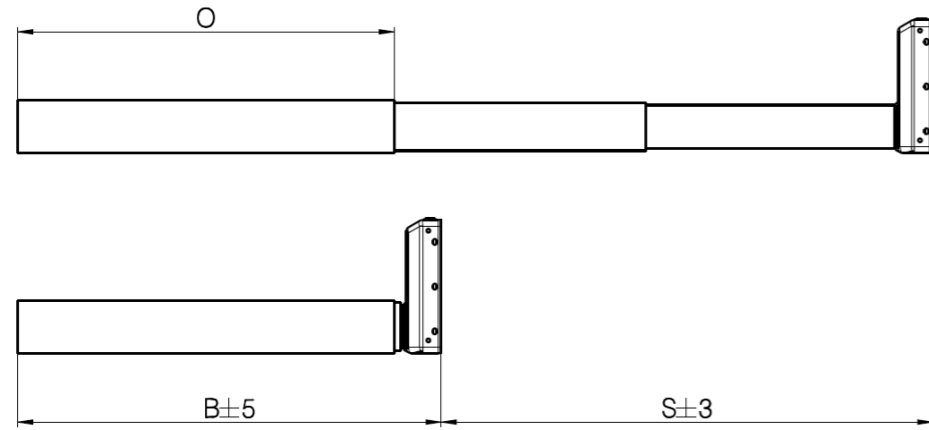


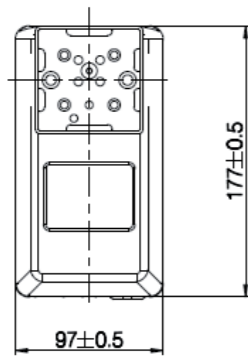


All measurements are without powder coating.

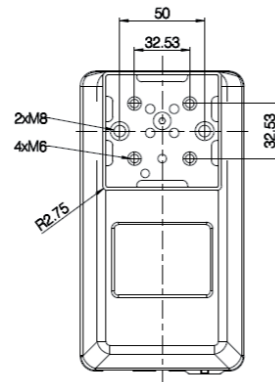


Version	Combination code	B (Built-in length) [mm]	S (Stroke length) [mm]	O (Outer profile length) [mm]
EU	DL19xxxxx650560	560	650	498

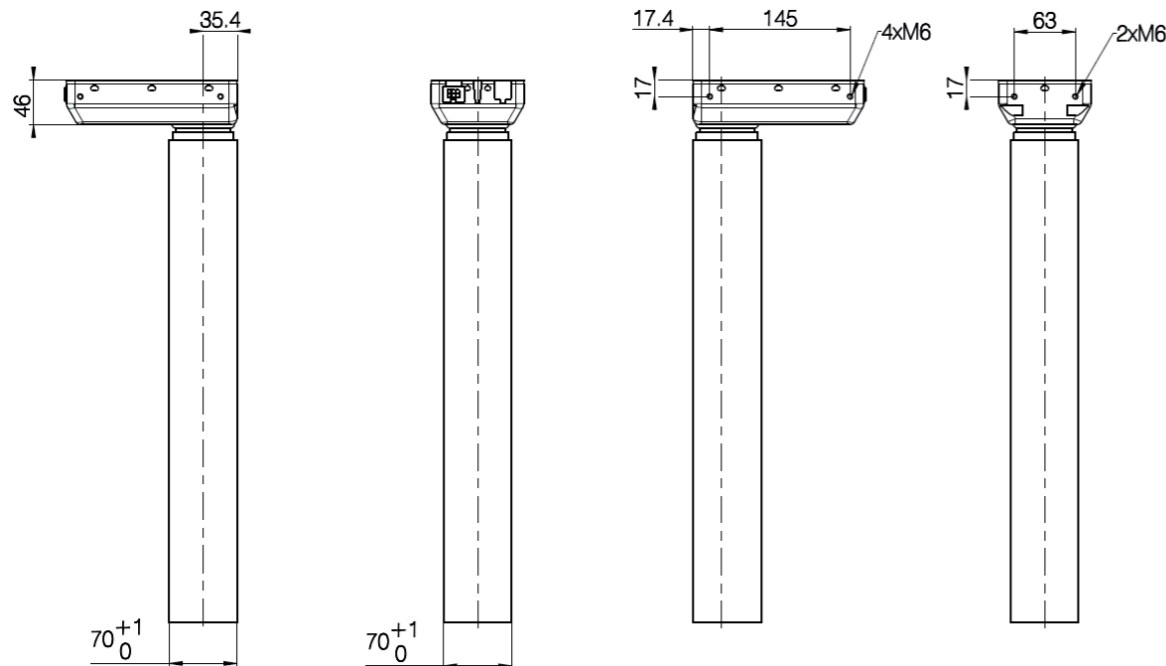
DL19 built-in length, stroke length, and outer profile length (mm)



Motor housing

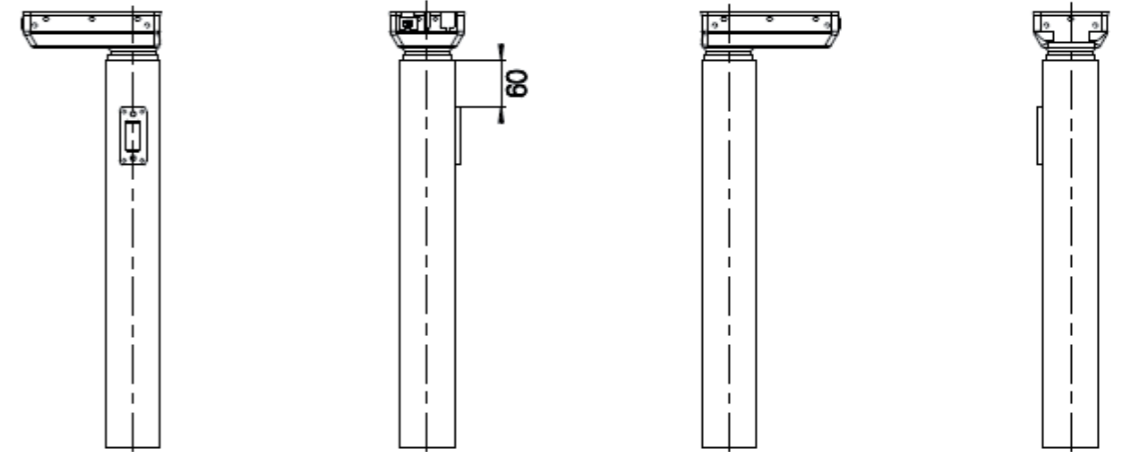


Bottom plate

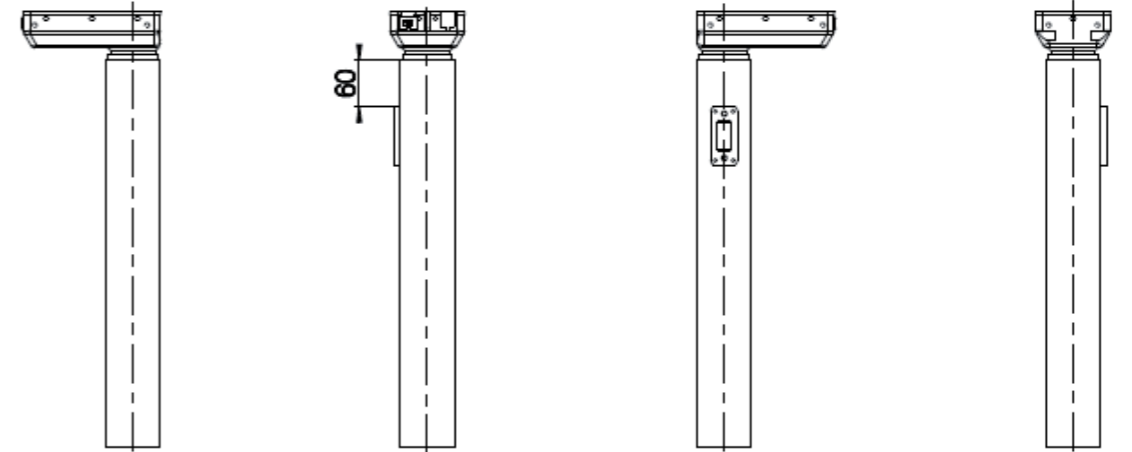


DL19 IC dimensions (mm)

Bench left



Bench right



Combination code	Bench left	Bench right
DL19xxLxxSxxxxxx	X	
DL19xxRxxMxxxxxx		X

Bracket options (dimensions in mm)

All rights reserved

Date: 8 April 2021

Description:

Lifting Column DL19 IC

