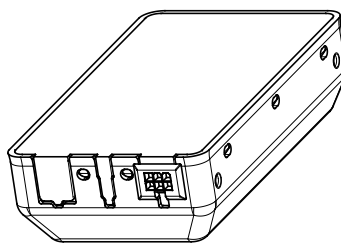


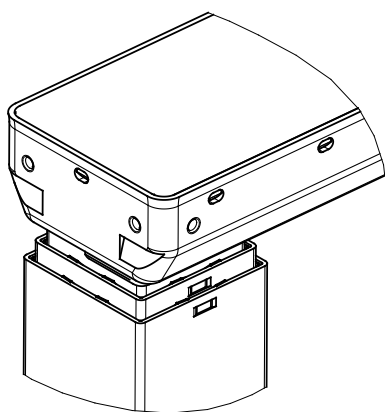
IC Control



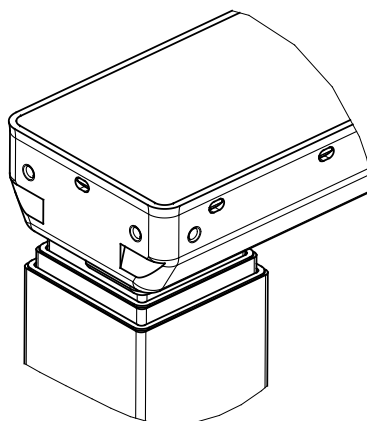
IC Companion

Combination code	Type
DL19xxxxMxxxxxx	IC Control
DL19xxxxSxxxxxx	IC Companion

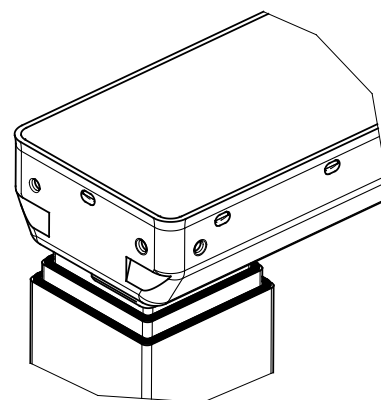
Socket combination



Standard



PLUS™ without trim rings
Profile design



PLUS™ with trim rings

All rights reserved

Date:

30 June 2023

Description:

DL19 IC - Sockets and design



WE IMPROVE YOUR LIFE