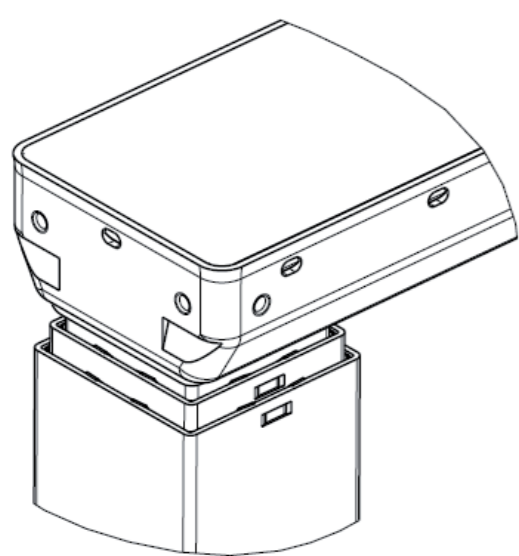
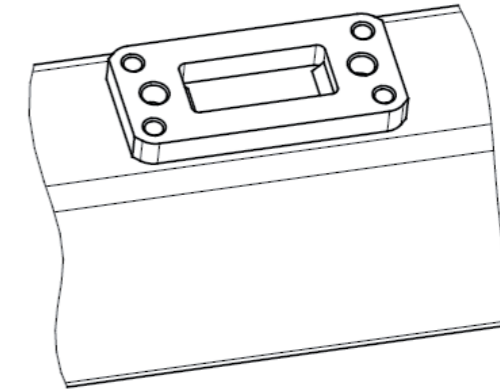


*Standard*

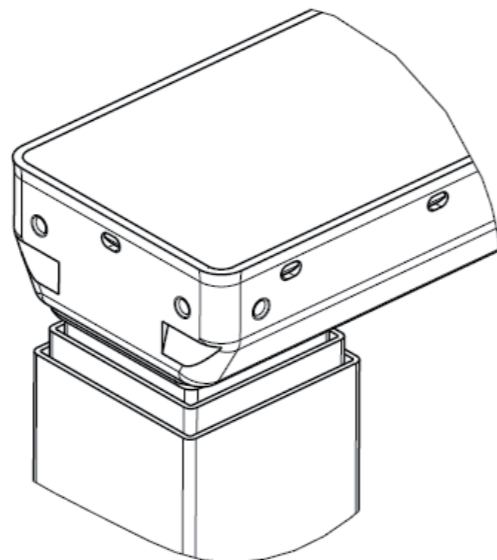
| Combination code | Type     |
|------------------|----------|
| DL19xxxxx0xxxxxx | Standard |
| DL19xxxxxExxxxxx | Standard |

*Socket combination*

Bench bracket



*Standard*



*PLUS™*

*Profile designs*

All rights reserved

Date:  
13 January 2021

Description:

Lifting Column DL19 -  
Socket and Bracket

