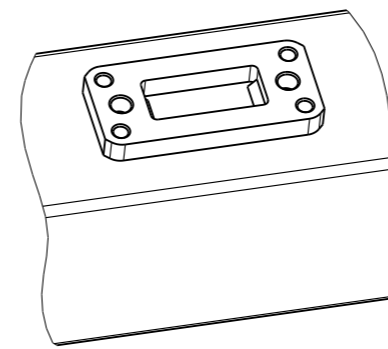
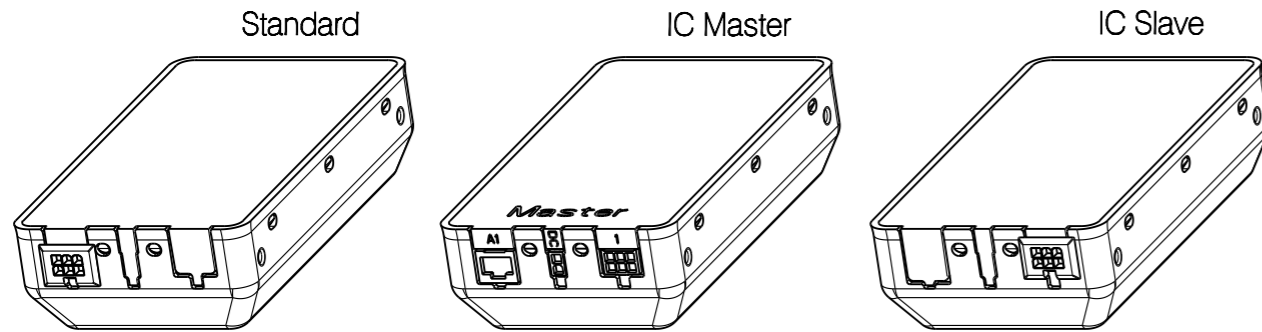
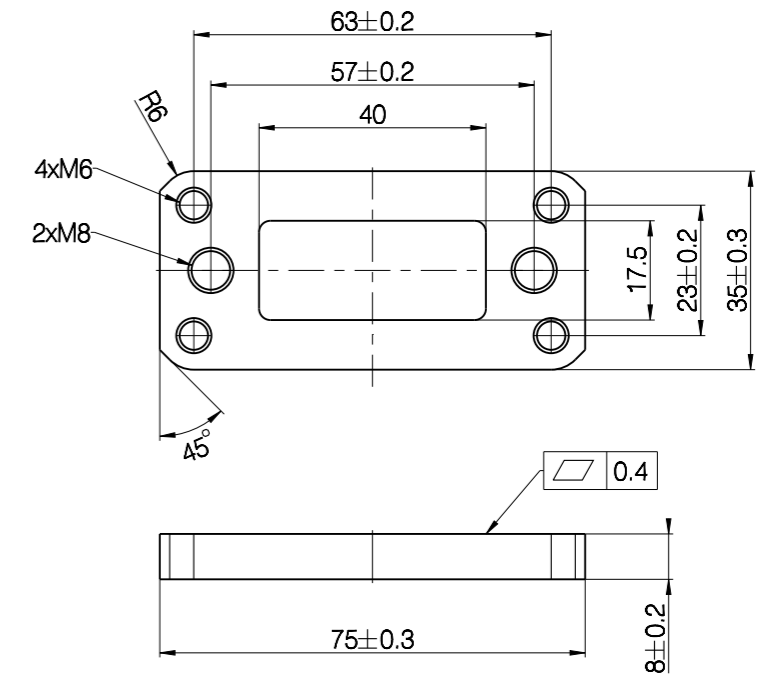


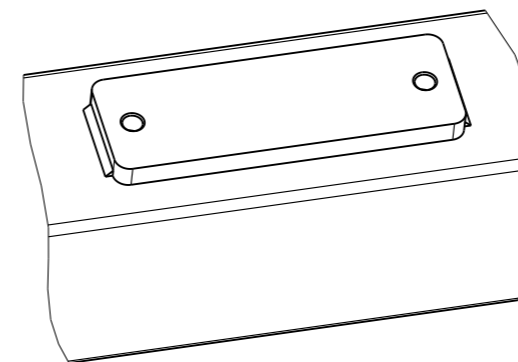
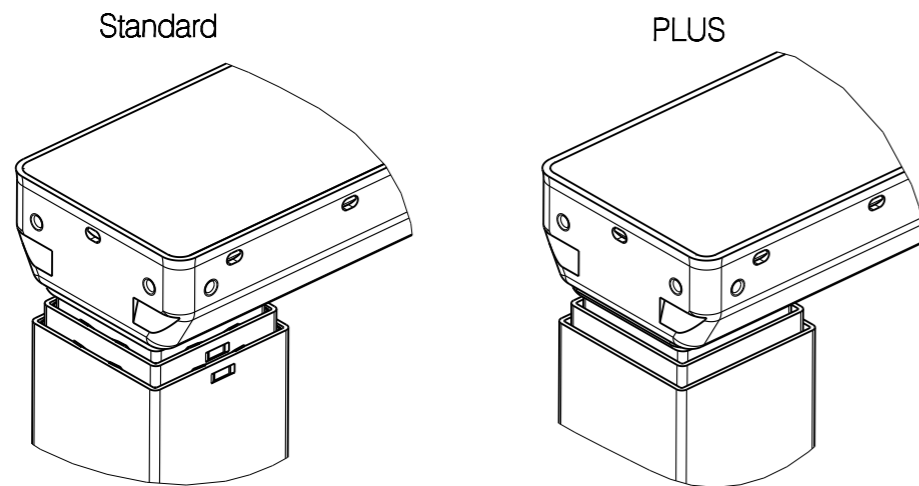
Socket combination	
Combination code	Type
DL19xxxx0xxxxx	Standard
DL19xxxxExxxxx	Standard
DL19xxxxMxxxxx	IC Master
DL19xxxxSxxxxx	IC Slave



Bench bracket



End-design of profiles	
Combination code	Type
DL19xxxx0xxxxx	Standard
DL19xxxxPxxxxx	PLUS



Standard bracket

