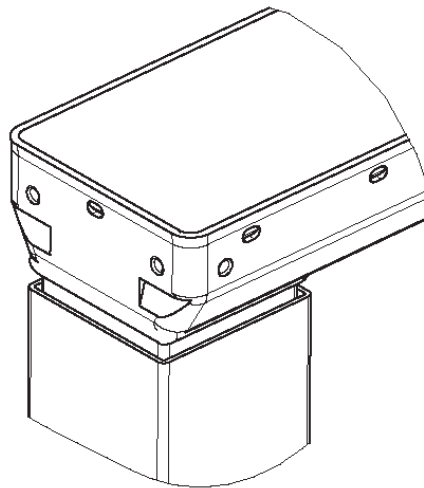


Standard

Combination code	Type
DL18xxxxx0xxxxxx	Standard

Socket combination



PLUS™

Profile designs

All rights reserved

Date:

8 April 2021

Description:

Lifting Column DL18 -
Socket and Profile designs



WE IMPROVE YOUR LIFE