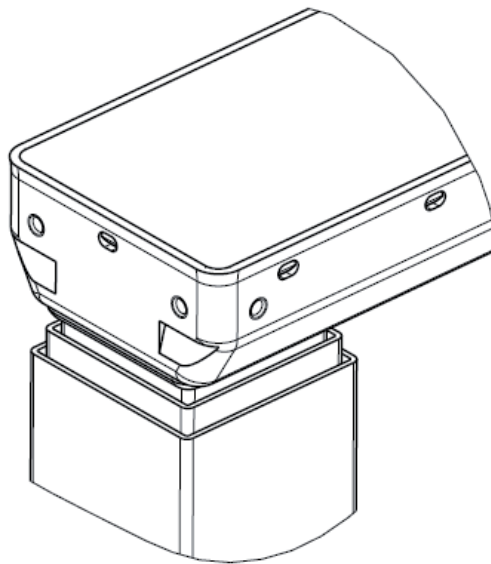


*Standard*

Combination code	Type
DL18xxxxx0xxxxxx	Standard

*Socket combination*



*PLUS™*

*Profile designs*

All rights reserved

Date:  
29 May 2020

Description:

Lifting Column DL18 -  
Socket and Profile designs

**LINAK**®   
WE IMPROVE YOUR LIFE