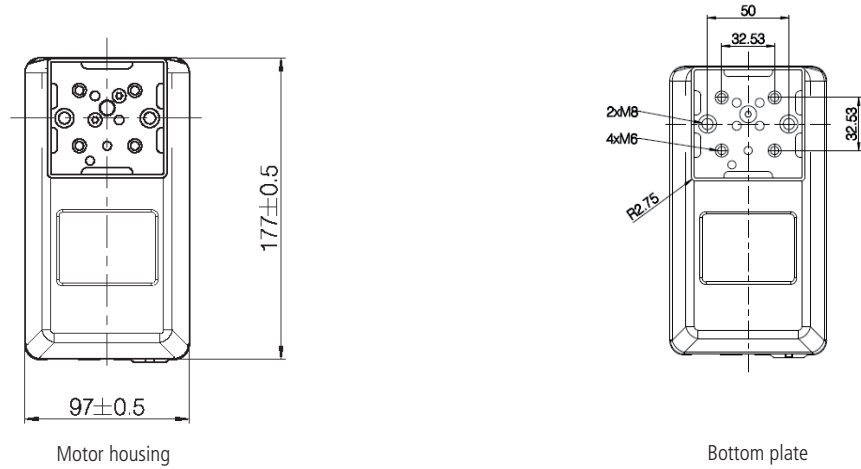


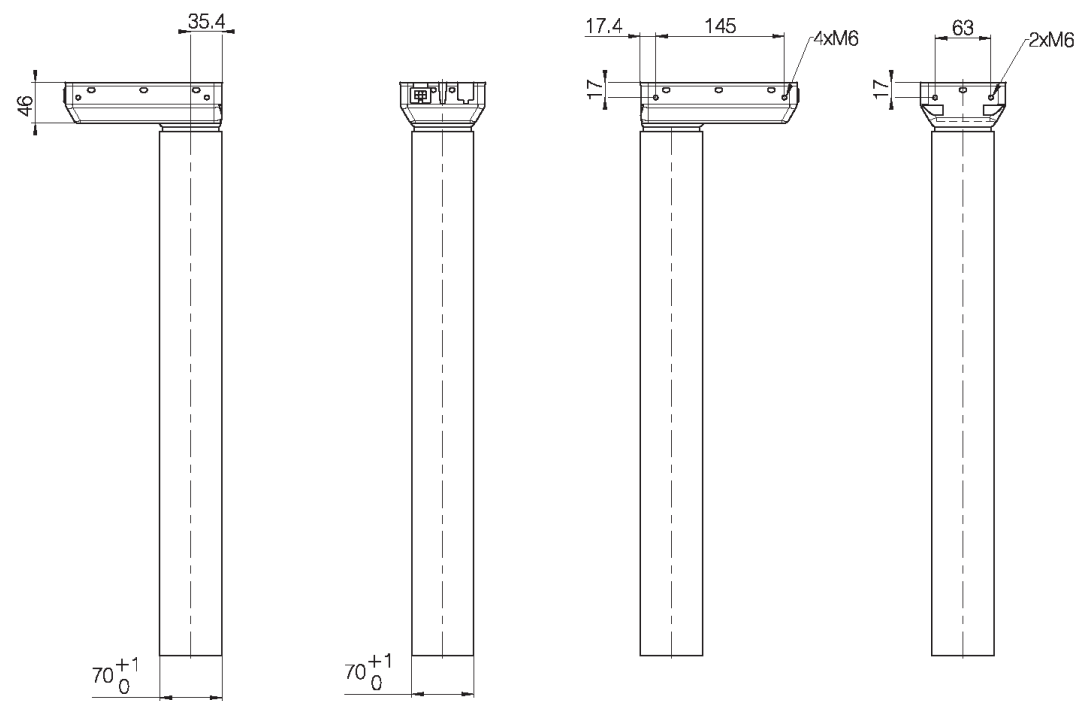
Version	Combination code	B (Built-in length) [mm]	S (Stroke length) [mm]	O (Outer profile length) [mm]
EU	DL18xxxxx500645	645	500	590

DL18 built-in length, stroke length, and outer profile length (mm)



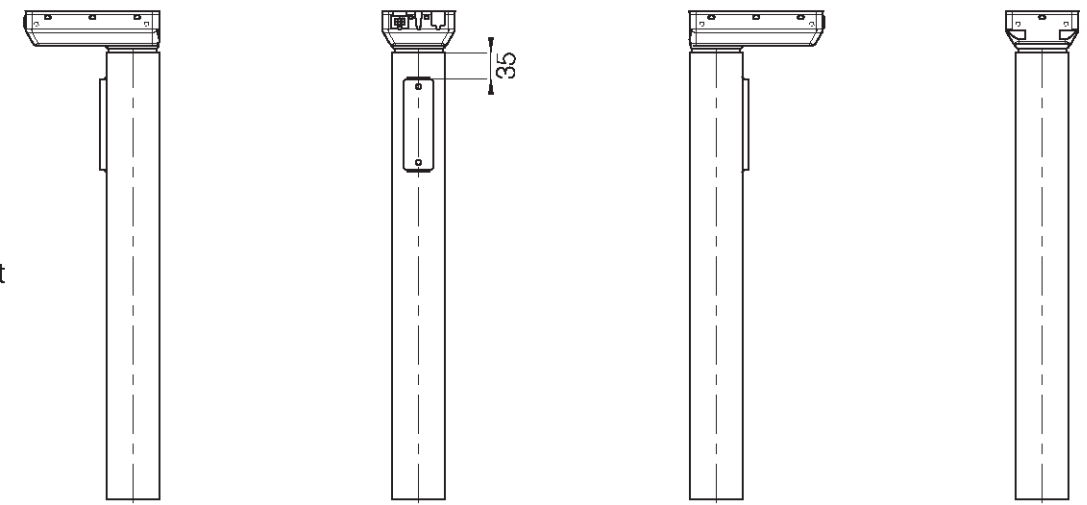
Motor housing

Bottom plate

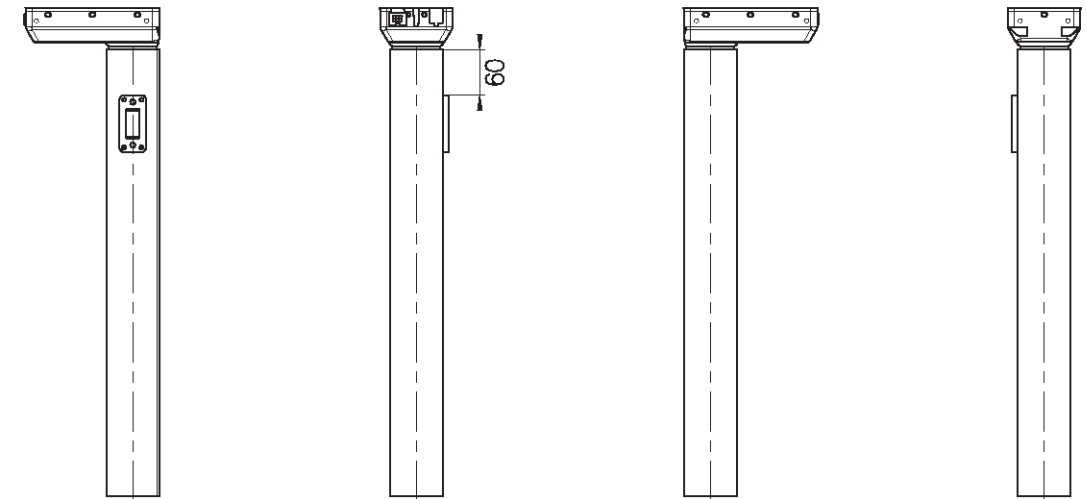


DL18 dimensions (mm)

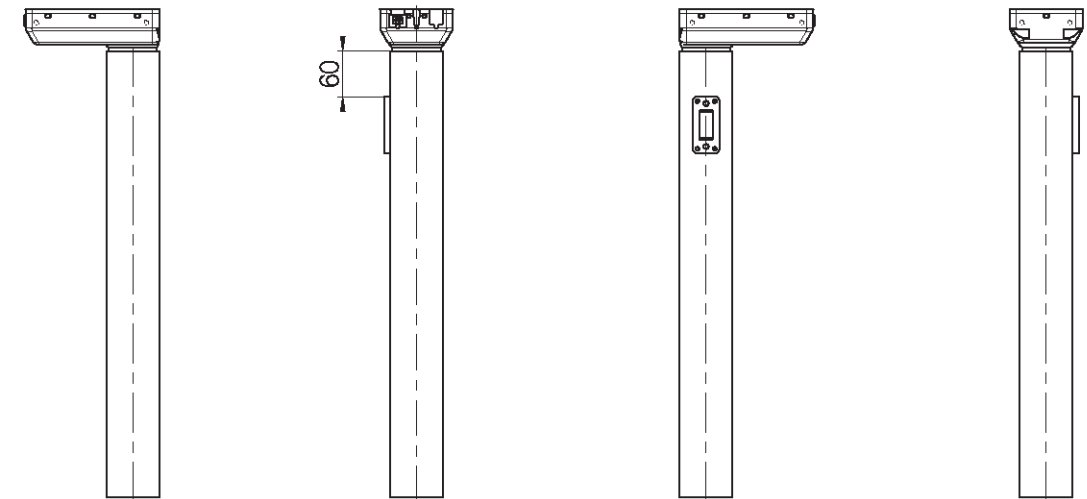
Std bracket



Bench left




Bench right



Combination code	Std bracket	Bench left	Bench right
DL18xx1xxxxxxxx	X		
DL18xxLxxxxxxxx		X	
DL18xxRxxxxxxxx			X

Bracket options (dimensions in mm)

All rights reserved	Date: 8 April 2021
Description: Lifting Column DL18	
 WE IMPROVE YOUR LIFE	