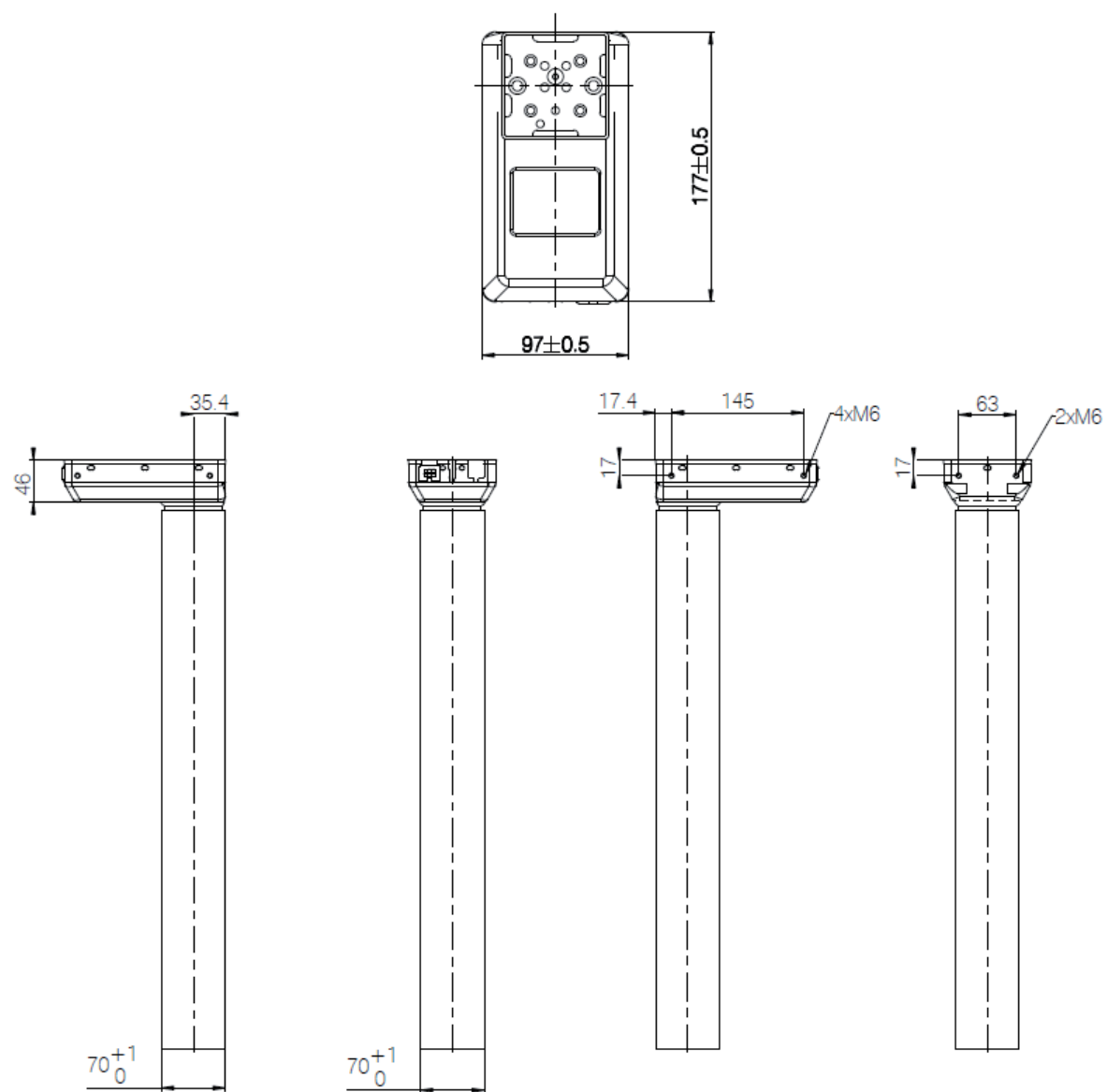


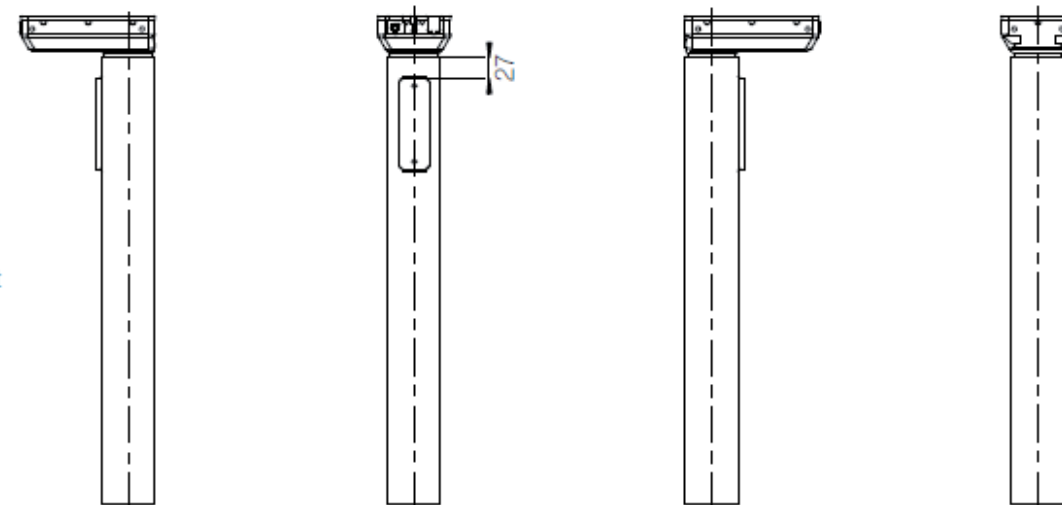
Version	Combination code	B (Built-in length) [mm]	S (Stroke length) [mm]	O (Outer profile length) [mm]
EU	DL18xxxxx500645	645	500	590

DL18 built-in length, stroke length, and outer profile length (mm)

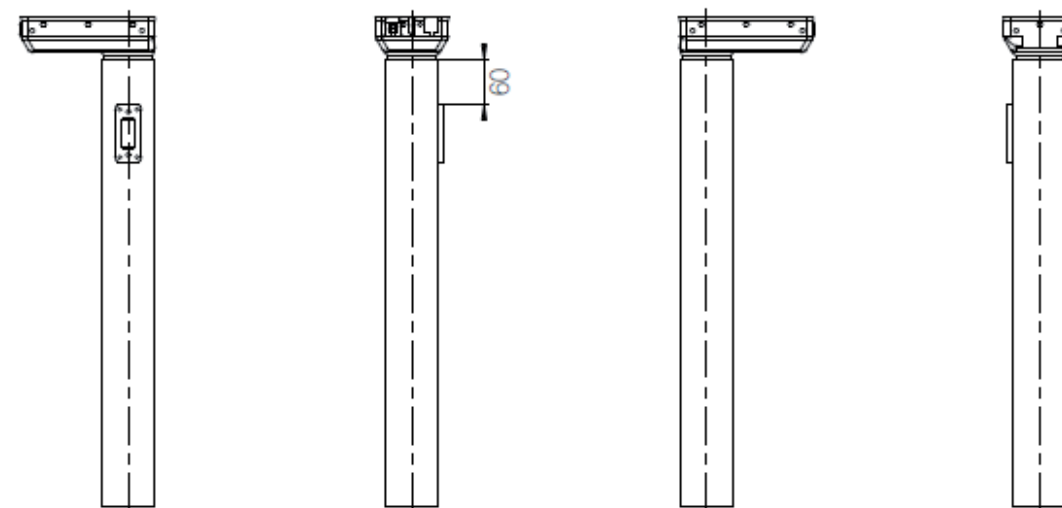


DL18 motor housing and profile dimensions (mm)

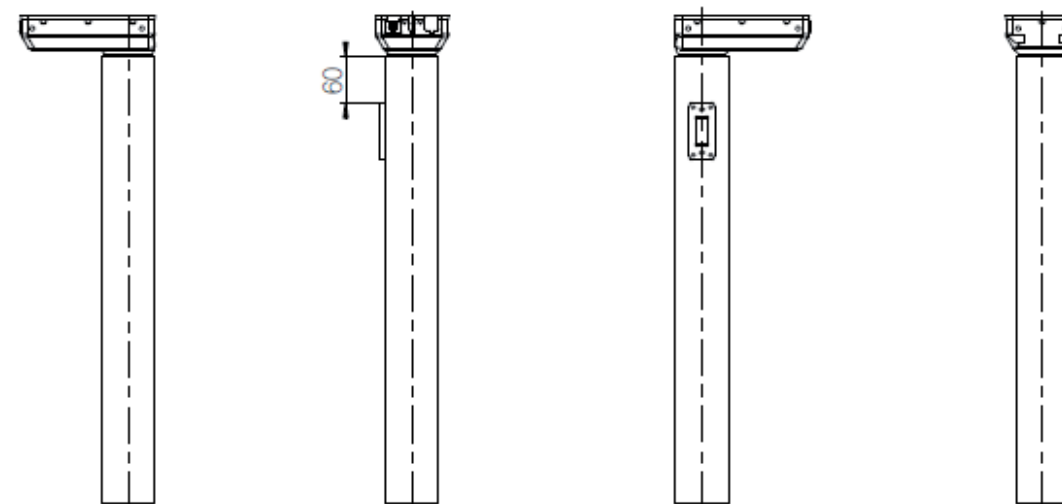
Std bracket



Bench left



Bench right



Combination code	Std bracket	Bench left	Bench right
DL18xx1xxxxxxxxxx	X		
DL18xxLxxxxxxxxxx		X	
DL18xxRxxxxxxxxxx			X

Bracket options (dimensions in mm)

All rights reserved	Date: 29 May 2020
Description: Lifting Column DL18	
 WE IMPROVE YOUR LIFE	