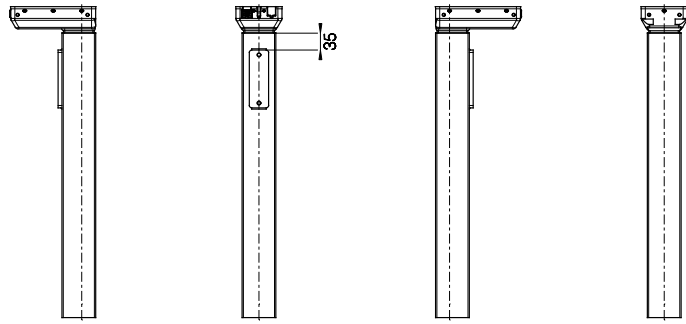
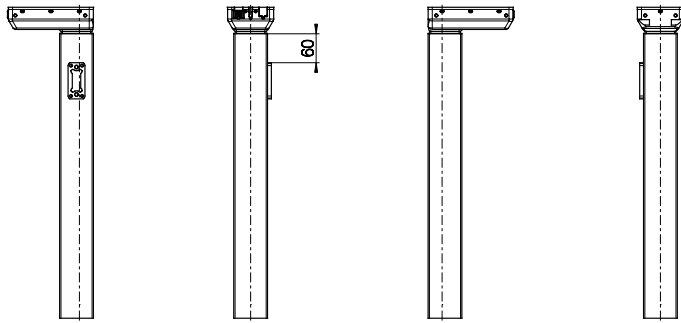


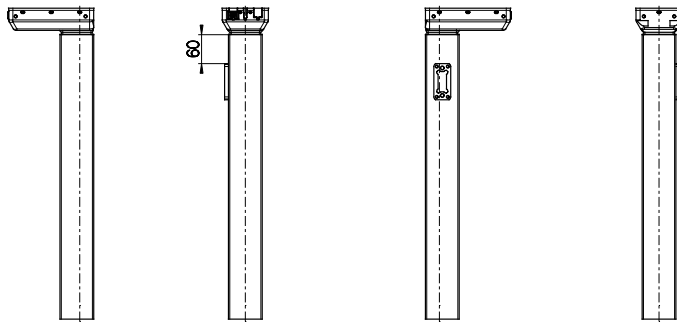
Standard



Bench left



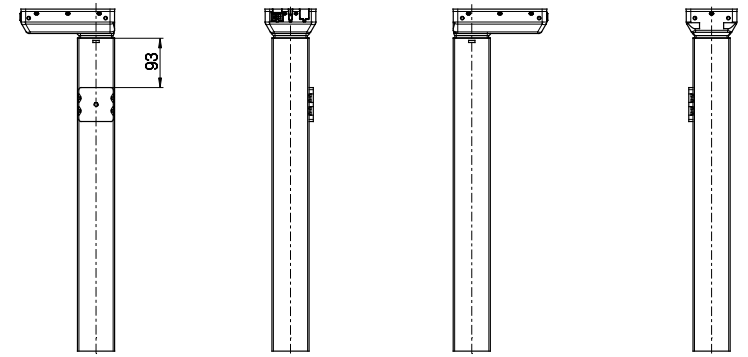
Bench right



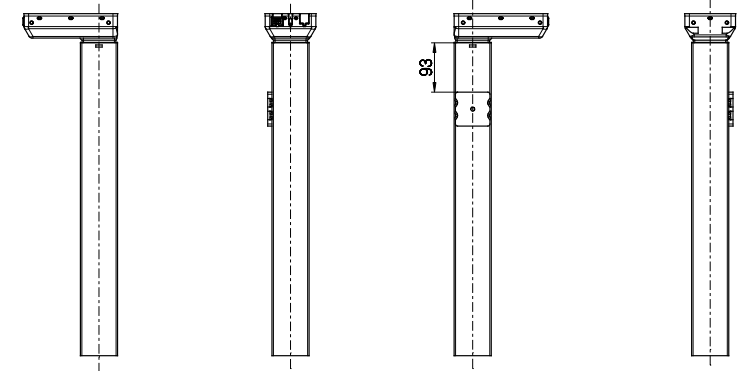
Combination code	Std bracket	Bench left	Bench right
DL18xx1xxxxxxxxx	X		
DL18xxLxxxxxxxxx		X	
DL18xxRxxxxxxxxx			X

Bracket options, types 1, L and R

DESKLINE Bench left



DESKLINE Bench right



Combination code	DESKLINE Bench left	DESKLINE Bench right
DL18xxVxxxxxxxxx	X	
DL18xxHxxxxxxxxx		X

DESKLINE Bench bracket options, types V and H  
(Compatible with LINAK cross members)

All rights reserved

Date:

30 June 2023

Description:

DL18 - Bracket options

