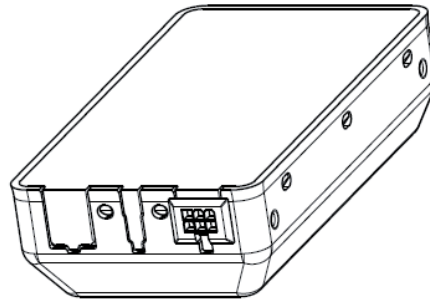


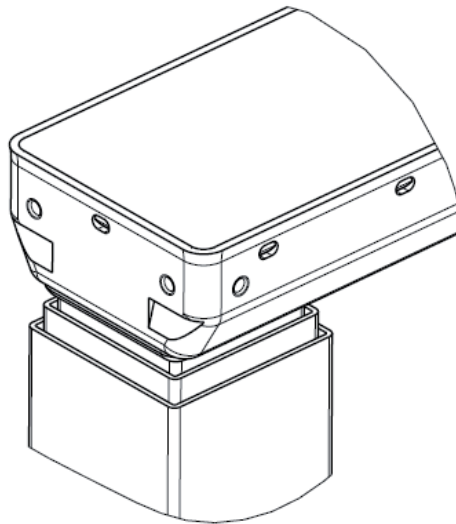
IC Master



IC Follower

Combination code	Type
DL18xxxxMxxxxx	IC Master
DL18xxxxSxxxxx	IC Follower

Socket combination



PLUS™

Profile designs

All rights reserved

Date:

8 April 2021

Description:

Lifting Column DL18 IC -
Socket and Profile designs

LINAK® 
WE IMPROVE YOUR LIFE