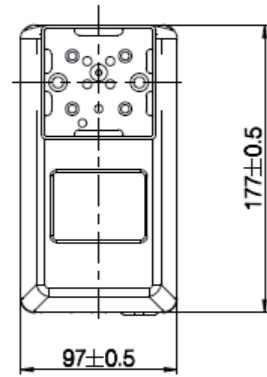
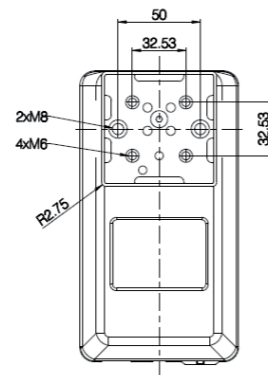


Version	Combination code	B (Built-in length) [mm]	S (Stroke length) [mm]	O (Outer profile length) [mm]
EU	DL18xxxxx500645	645	500	590

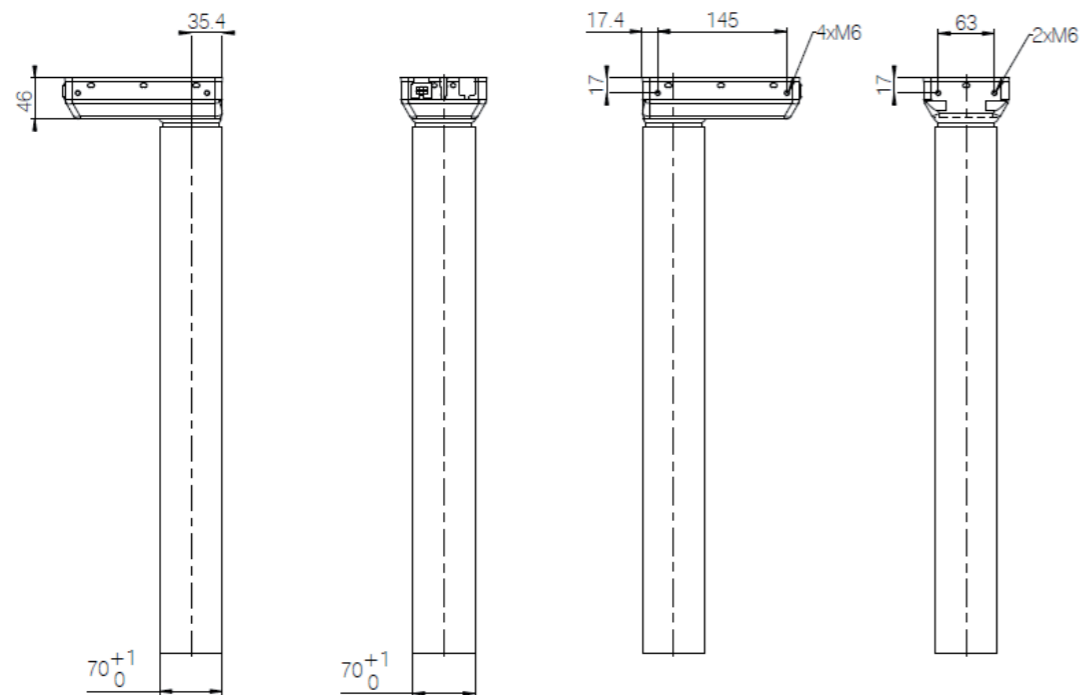
DL18 built-in length, stroke length, and outer profile length (mm)



Motor housing

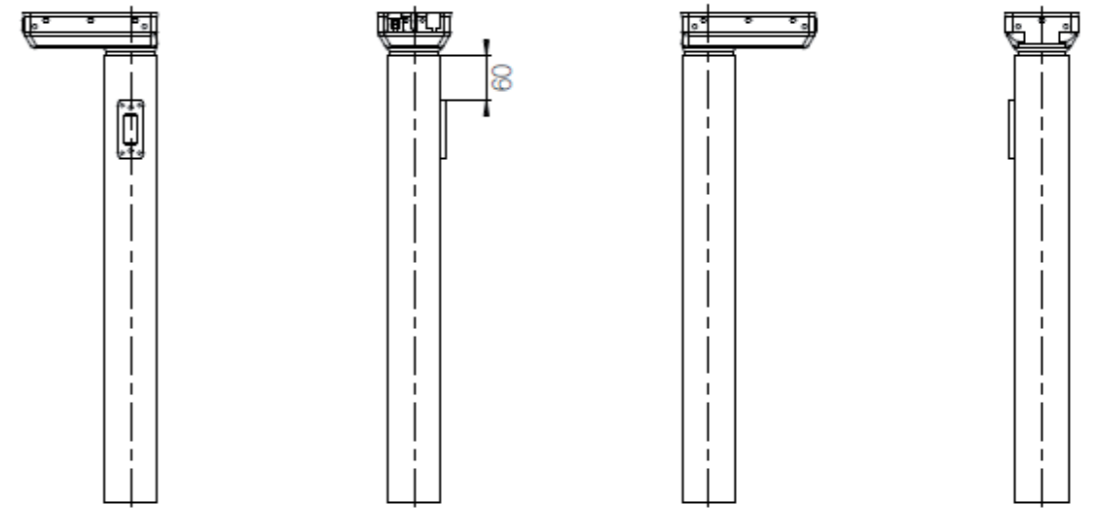


Bottom plate

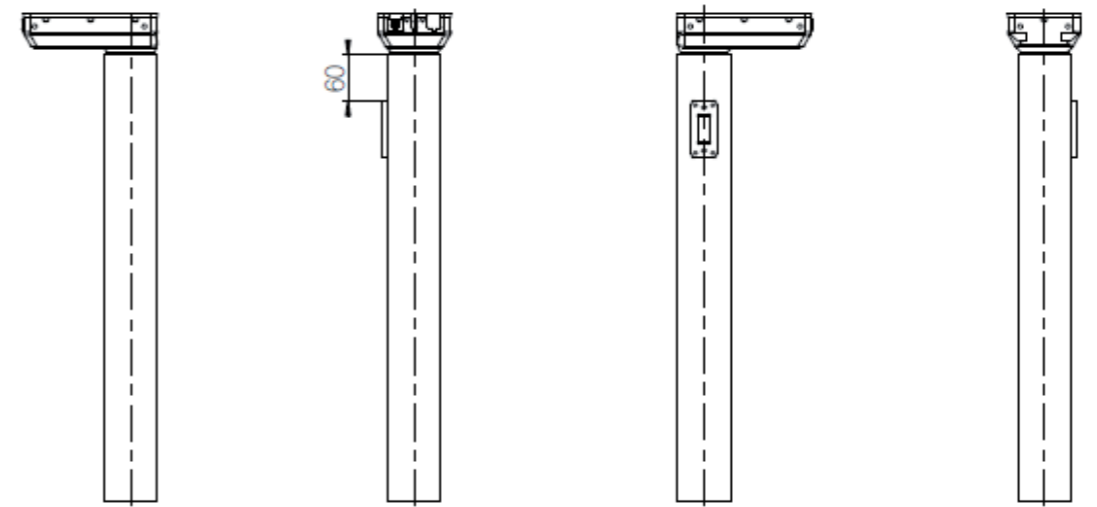


DL18 IC dimensions (mm)

Bench left



Bench right



Combination code	Bench left	Bench right
DL18xxLxxSxxxxxx	X	
DL18xxRxxMxxxxxx		X

Bracket options (dimensions in mm)

All rights reserved

Date: 8 April 2021

Description:

Lifting Column DL18 IC

