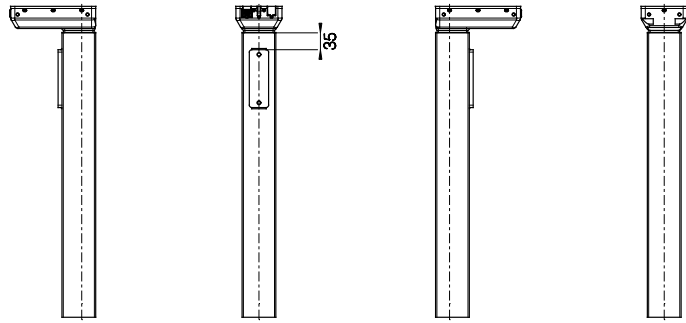
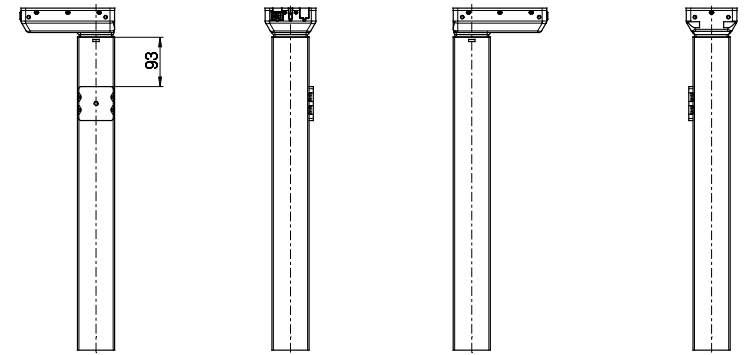


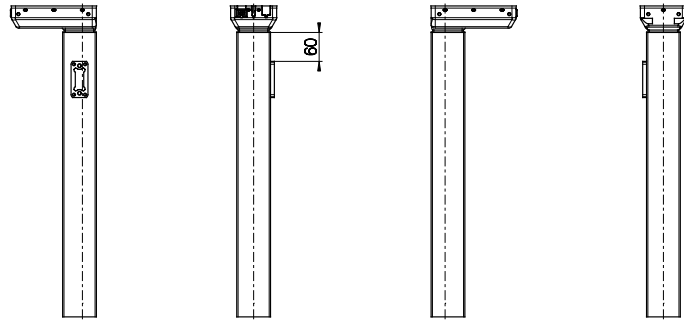
Standard



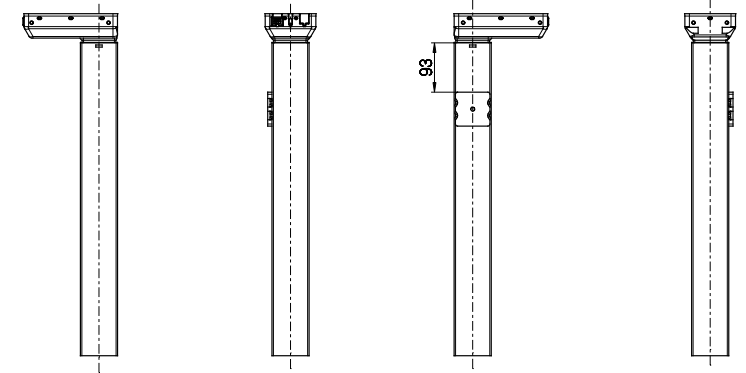
DESKLINE Bench left



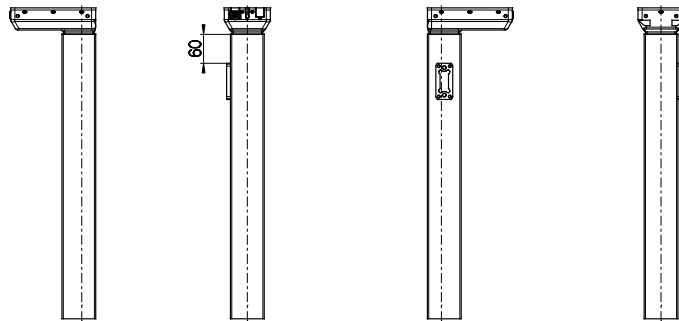
Bench left



DESKLINE Bench right



Bench right



Combination code	DESKLINE Bench left	DESKLINE Bench right
DL18xxVxxxxxxxxx	X	
DL18xxHxxxxxxxxx		X

DESKLINE Bench bracket options, types V and H
(Compatible with LINAK cross members)

Combination code	Std bracket	Bench left	Bench right
DL18xx1xxxxxxxxx	X		
DL18xxLxxSxxxxxx		X	
DL18xxRxxMxxxxxx			X

Bracket options, types 1, L and R

All rights reserved

Date:

30 June 2023

Description:

DL18 IC - Bracket options

