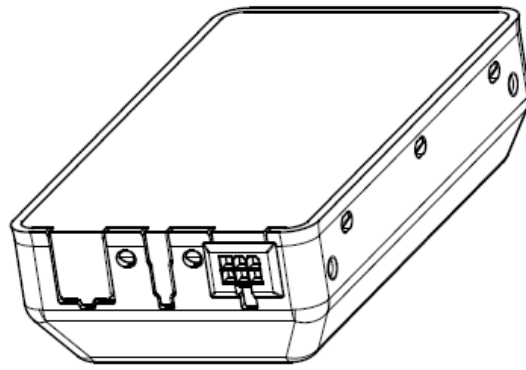


IC Master

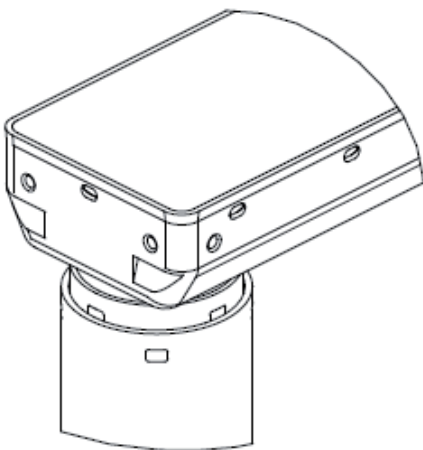


IC Follower

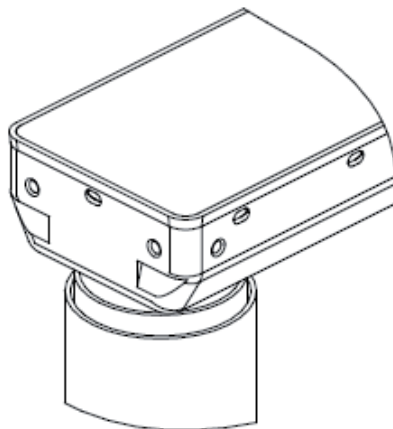
Combination code	Type
DL11xxxxMxxxxx	IC Master
DL11xxxxSxxxxx	IC Follower

Socket combination

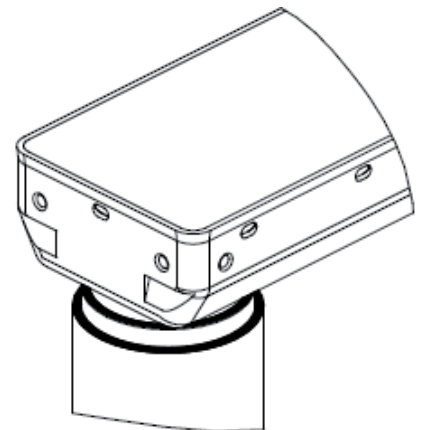
**Profile designs**



Standard



PLUS™ without trim rings



PLUS™ with trim rings

All rights reserved

Date:

8 April 2021

Description:

Lifting Column DL11 IC -  
Socket and Profile designs

