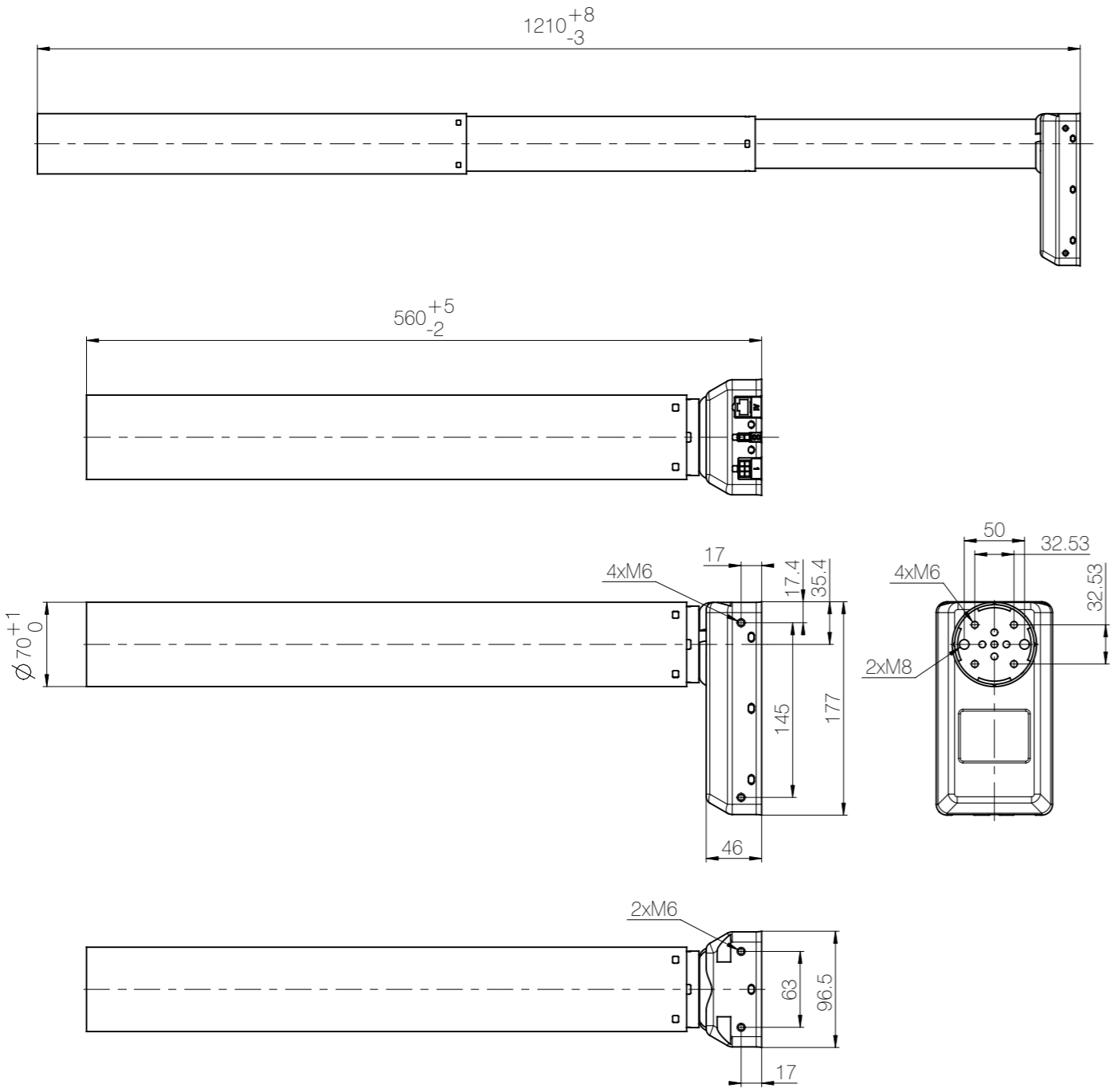


Master



Slave

