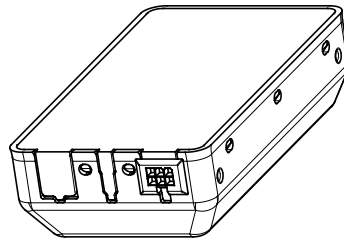


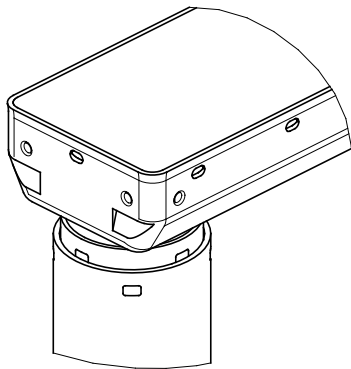
IC Control



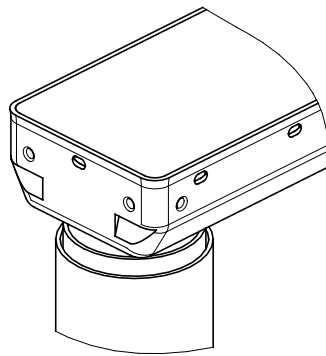
IC Companion

Combination code	Type
DL11xxxxMxxxxxx	IC Control
DL11xxxxSxxxxxx	IC Companion

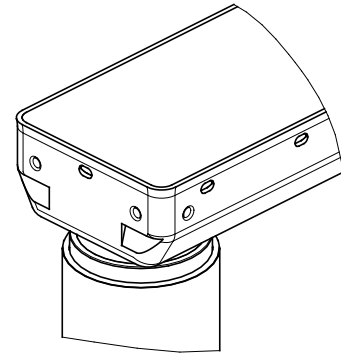
Socket combination



Standard



PLUS™ without trim rings
Profile design



PLUS™ with trim rings

All rights reserved

Date:
3 October 2023

Description:

DL11 IC - Sockets and design

LINAK® 
WE IMPROVE YOUR LIFE