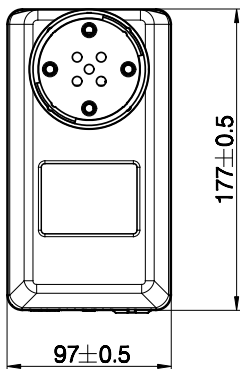
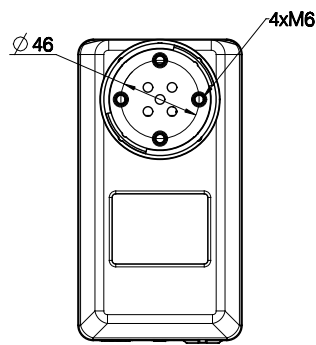


Combination code	B (Built-in length) [mm]	S (Stroke length) [mm]	O (Outer profile length) [mm]
DL10xxxxx500645	645	500	590

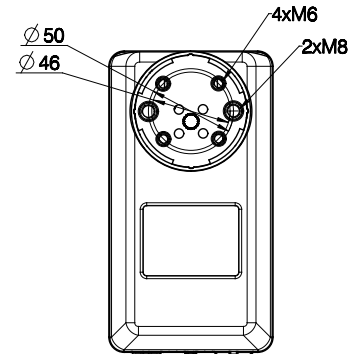
Built-in length, stroke length, and outer profile length



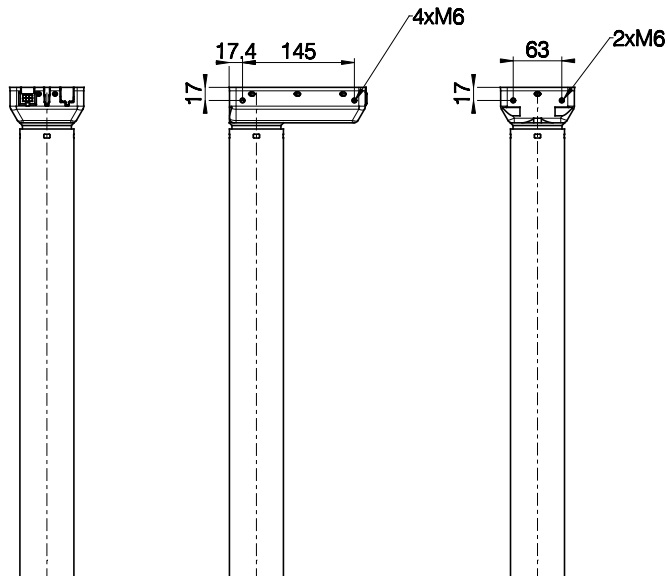
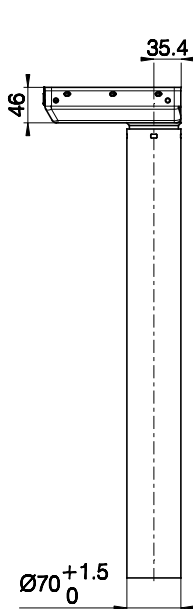
Motor housing



Bottom plate (standard)



Bottom plate (PLUS™)



Profile dimensions (mm)

All rights reserved

Date:

3 October 2023

Description:

DESKLIFT™ Column DL10 IC



WE IMPROVE YOUR LIFE