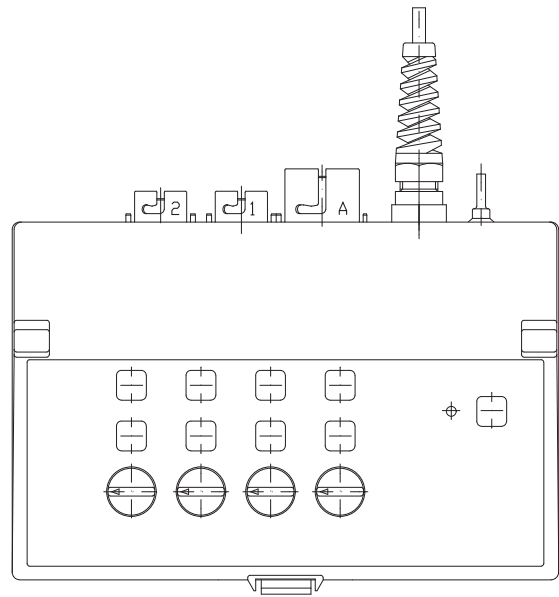
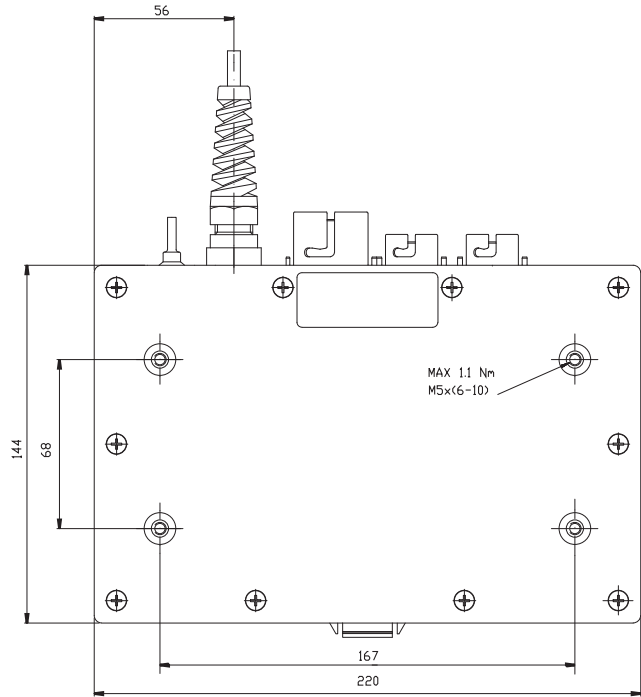
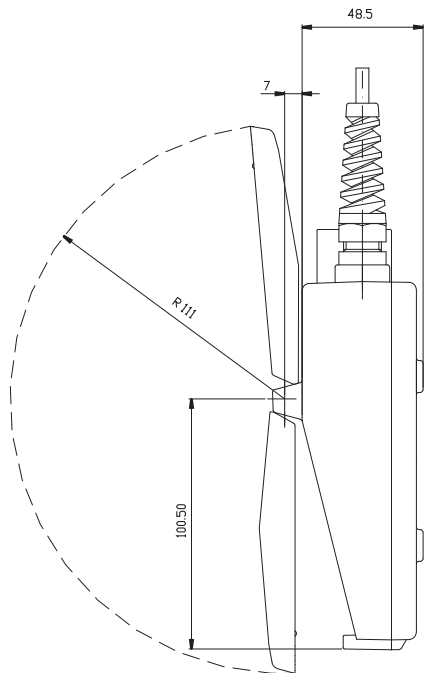


LINAK A/S  
ACP001A



Drawing no.: ACP001A

All rights reserved

Date:

17 June 2010

Description:

Control ACM

**LINAK**®   
WE IMPROVE YOUR LIFE