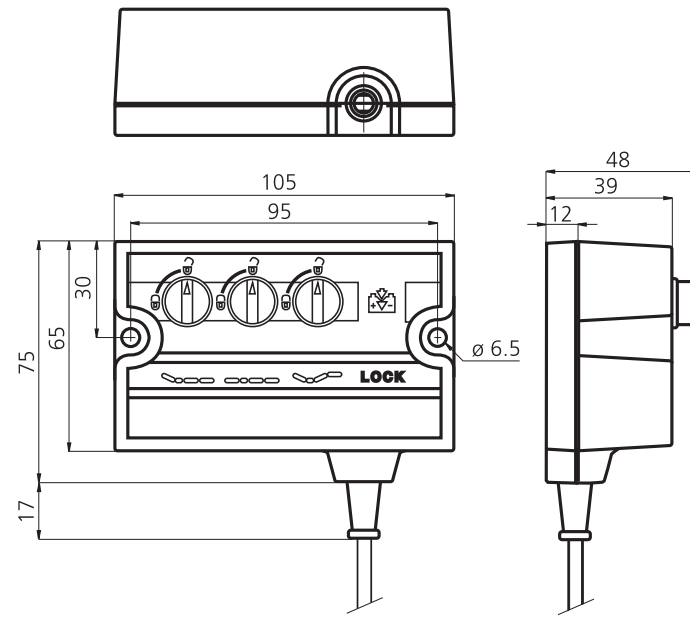


LINAK A/S
APM001A



LINAK A/S
APM002A

All rights reserved

Date:

17 June 2010

Description:

Control ACM

LINAK® 
WE IMPROVE YOUR LIFE