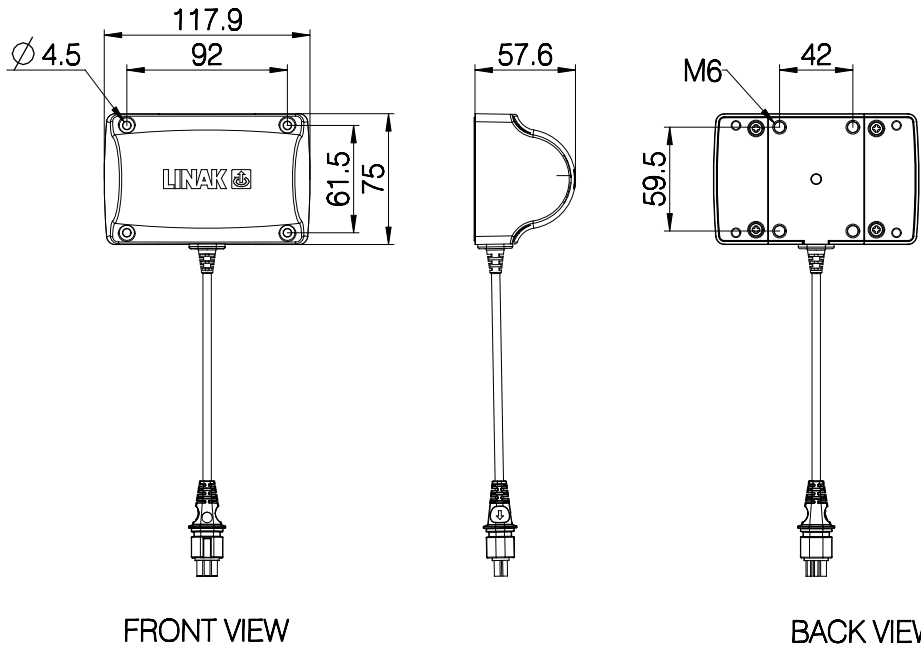


Dimensions MD1000D3:

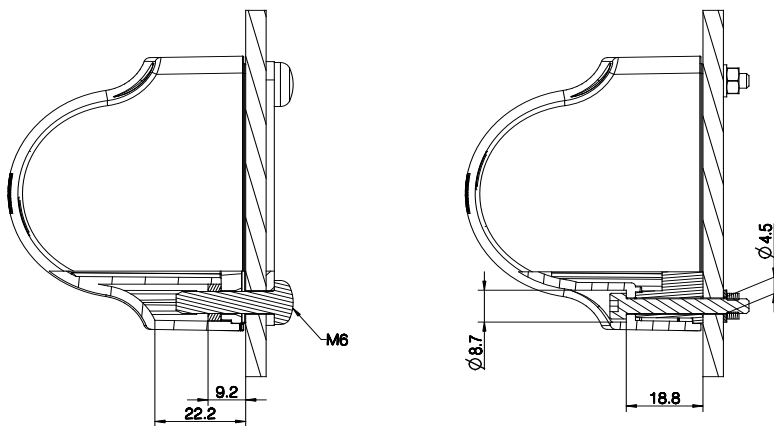


FRONT VIEW

BACK VIEW

Drawing no.: 0764000

Mounting dimensions:



Drawing no.: 0764002

All rights reserved

Date:

06 Februar 2014

Description:

Accessory Massage Motor Medical

