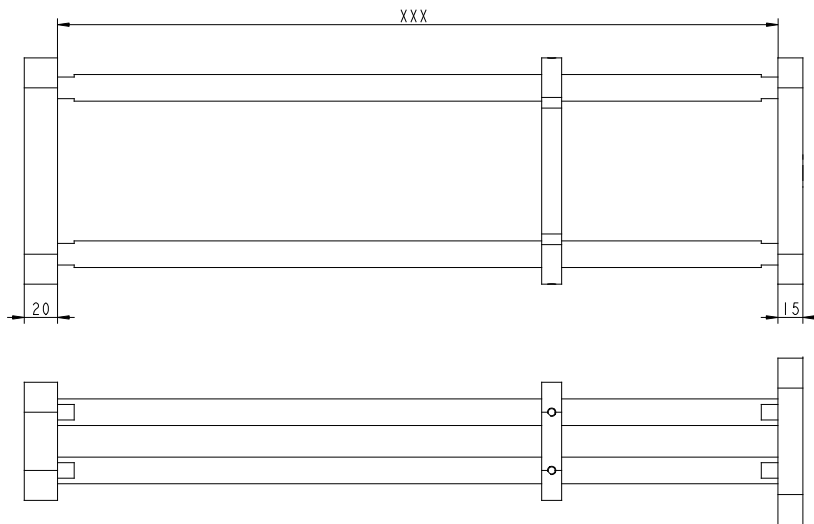
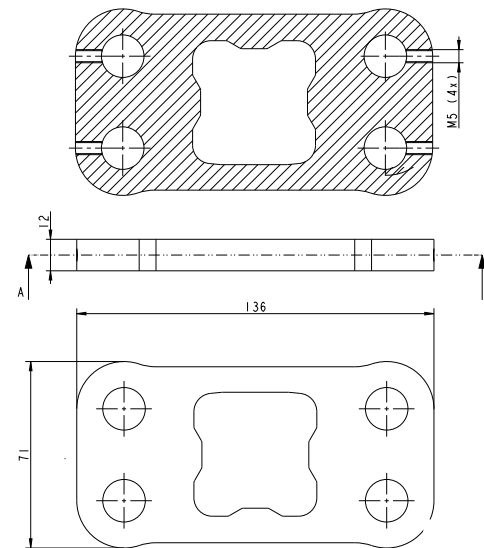


Bracket:

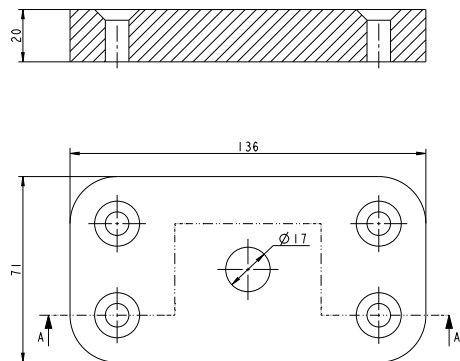


Middle plate:

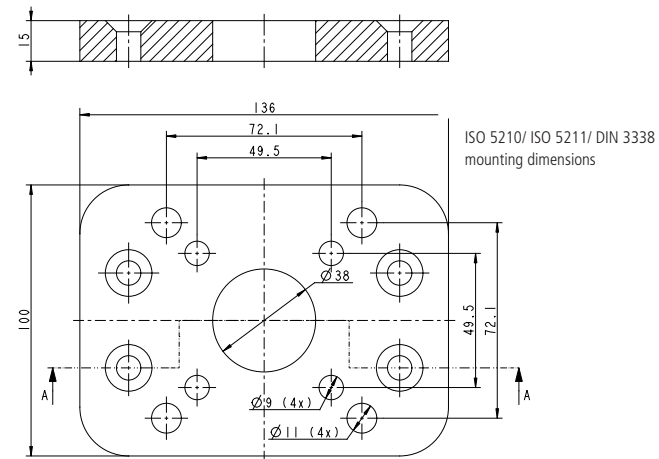


**i** The middle plate is optional, it is compatible with the actuator LA36.

Top plate:



Bottom plate:



All rights reserved	Date: 6 December 2017
Description: <b>Accessory Flange Mounting Bracket</b>	
