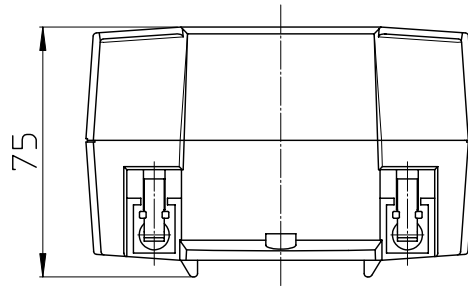
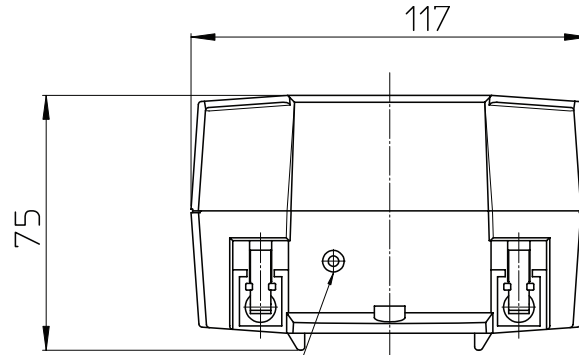


BAJ without integrated DC plug



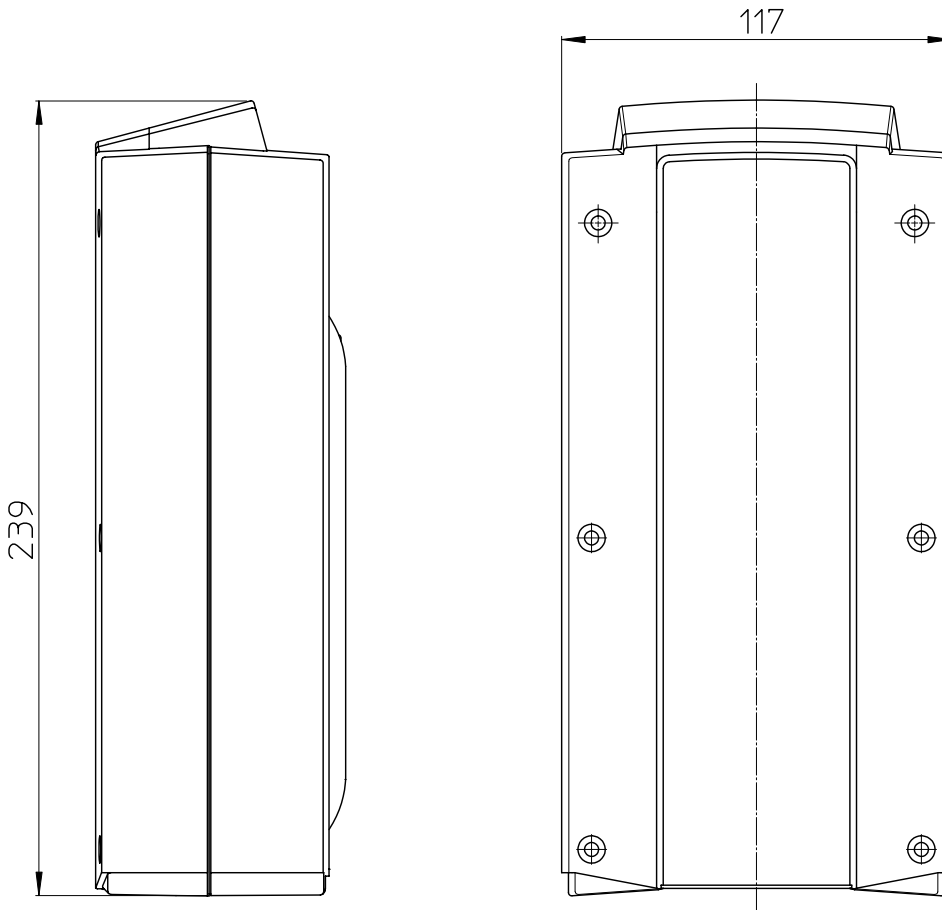
Drawing no.: BAJ001C

BAJ with integrated DC plug



Drawing no.: BAJ002B

DC socket for external charger CH01



Drawing no.: BAJ001C

All rights reserved

Date:

27 March 2023

Description:

Battery BAJ



WE IMPROVE YOUR LIFE