



WCU Water Valve Control Unit Data sheet

WCU Water Valve Control Unit

The WCU is designed to perform the opening and closing movement of valves used in e.g. pump stations and waste water treatment plants.

The WCU is very easy to install, control and service. Furthermore it is suitable in new projects as well as in maintenance tasks as replacement or rebuilding of a valve unit.

WCU is compatible with the LINAK actuators LA25, LA33, LA36 and LA37. It is available in two versions:

- WCU-Basic for analogue and digital communication
- WCU-BUS for communication via ProfiBus/Profinet/Ethernet

To ensure an always fully operational valve unit, the WCU can be connected to an external battery backup WCU-UPS, which will take over in case of failure in the main power supply.



Technical data:

- Connection: 1 unit
- Fuse: 1.6 Amp (ø5x20 mm)
- Max. current: 13 Amp
- Duty cycle: Max. 10 %
- Output: 24VDC
- Supply limits: 210-240VAC, 50/60Hz
- Supply nominal: 230VAC, 50Hz
- Operating temperature: -20°C to +40°C

Features:

- Signals in end positions
- Housing in polycarbonate with protection class IP66
- Control signal: Analogue 4-20 mA or digital ON/OFF
- Always 4-20 mA feedback signal
- Easy control of the valve position
- Manual or SCADA control
- Position indicator 0-100% (digital display)
- Signal showing overcurrent
- Signal for manual/auto control



The specified product is produced by Electromen OY

Specifications subject to change without prior notice.
It is the responsibility of the product user to determine the suitability of the products for a specific application. LINAK Danmark will at point of delivery replace/repair defective products covered by the warranty if promptly returned to LINAK Danmark. No liability is assumed beyond such replacement/repair.

LINAK® accepts no responsibility for possible errors or inaccuracies in catalogues, brochures, and other material. LINAK reserves the right to change its products without prior notice. LINAK cannot guarantee product availability and reserves the right to discontinue the sale of any product. The user is responsible for determining the suitability of LINAK products for a specific application. All sales are subject to the 'Standard Terms of Sale and Delivery', available on LINAK websites.

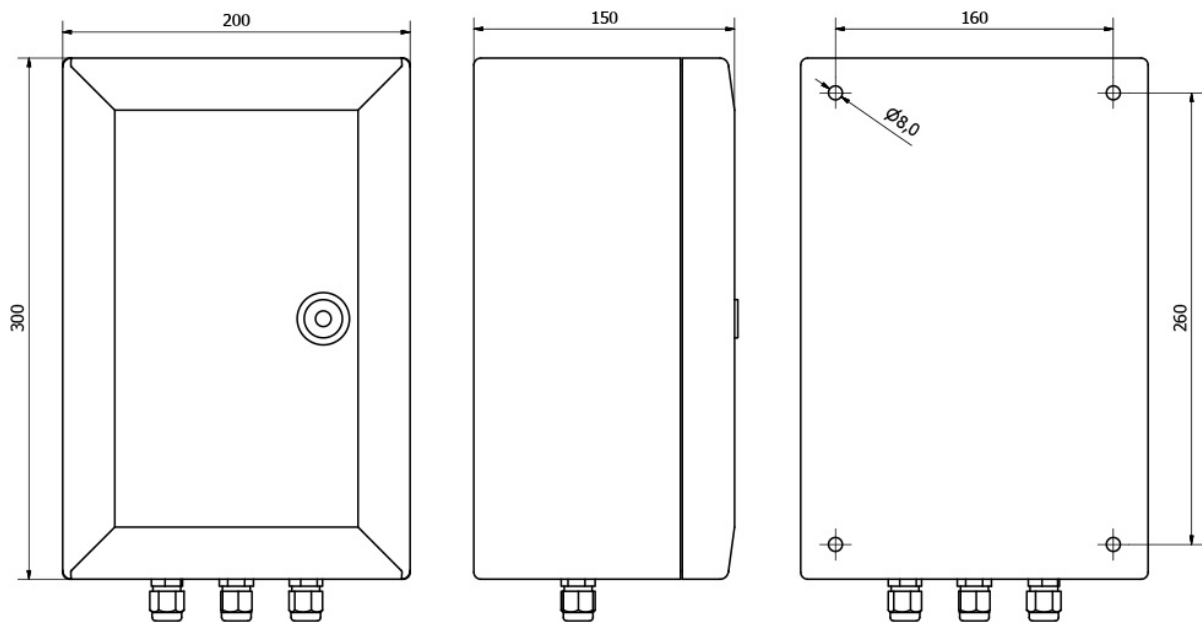
LINAK and the LINAK logotype are registered trademarks of LINAK A/S. All rights reserved.

Continued

Options

- External battery backup in polycarbonate with protection class IP66
- Integrated BUS communication modul (Profibus, Profinet and Ethernet)

Dimensions in mm



Ordering:

WCU-Basic:

WCU-Bus:

WCU-Ethernet:

WCU-Profinet:

Ordering no.: TREM0064DK

Ordering no.: TREM0067DK

Ordering no.: TREM0102DK

Ordering no.: TREM0103DK