



TR-EM-LP300 Power Supply Data sheet

TR-EM-LP300 Power Supply

The power supply is designed to supply multiple TR-EM products. It has a powerful toroidal transformer with a big filtering capability and mounting plate with space for multiple TR-EM products.

The toroidal transformer offers very important high peak current capability for motor applications. This is required for start current and torque peaks of motors. The transformer has inbuilt self-resettable temperature fuse. Mains supply voltage selection is done with a voltage selector switch under the mounting plate. The device also has an aluminium mounting plate where several TR-EM products can be fastened with 3mm snap-in spacers. The material of the housing is durable polycarbonate suitable for outdoor usage.



Technical data:

- Supply voltage: 230/115VAC, 50/60Hz
- Filtered DC output: 24VDC nominal (35VDC no load)
- Fuse: 20.0x5.0mm
T3.15A (230VAC)
T6.30A (115VAC)
- Temp. fuse TCO: 110°C
- Transformer: 2x115/21VAC / 300VA
Max output 30A *
Continuous 10A **
- Filtering: 16.5mF
- Dimensions: 180*180*103mm
- Weight: 3.65kg
- Housing: Fibox PC 175/100HG IP65 with 1xPG11 + 9xPG9 cable glands

Features:

- Selectable input voltage
- Toroidal transformer
- High peak current
- Mounting plate supports many EM products
- Mounting plate: Switch for voltage selection 115/230VAC
- IP degree housing: IP65
- Product is EMC-tested and CE-marked

*10 seconds cycle with 10% duty cycle

**power losses of electronic cards can decrease the continuous current rating



The specified product is produced by Electromen OY

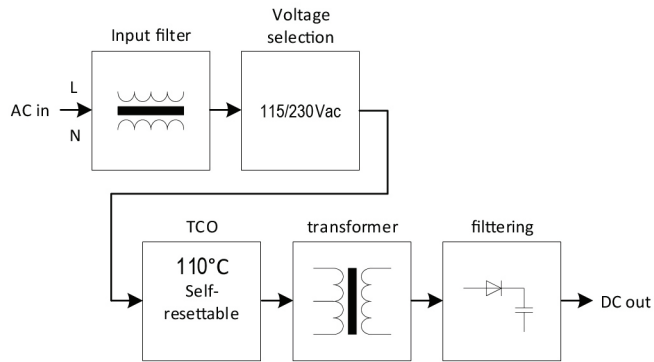
Specifications subject to change without prior notice. It is the responsibility of the product user to determine the suitability of the products for a specific application. LINAK Danmark will at point of delivery replace/repair defective products covered by the warranty if promptly returned to LINAK Danmark. No liability is assumed beyond such replacement/repair.

LINAK® accepts no responsibility for possible errors or inaccuracies in catalogues, brochures, and other material. LINAK reserves the right to change its products without prior notice. LINAK cannot guarantee product availability and reserves the right to discontinue the sale of any product. The user is responsible for determining the suitability of LINAK products for a specific application. All sales are subject to the 'Standard Terms of Sale and Delivery', available on LINAK websites.

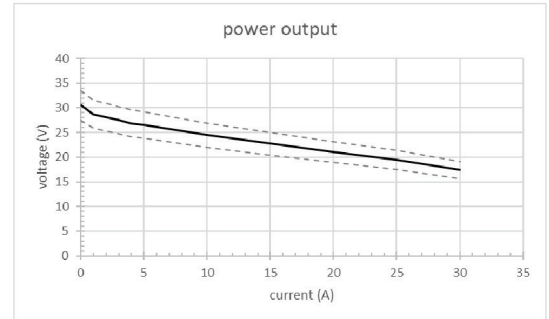
LINAK and the LINAK logotype are registered trademarks of LINAK A/S. All rights reserved.

Continued

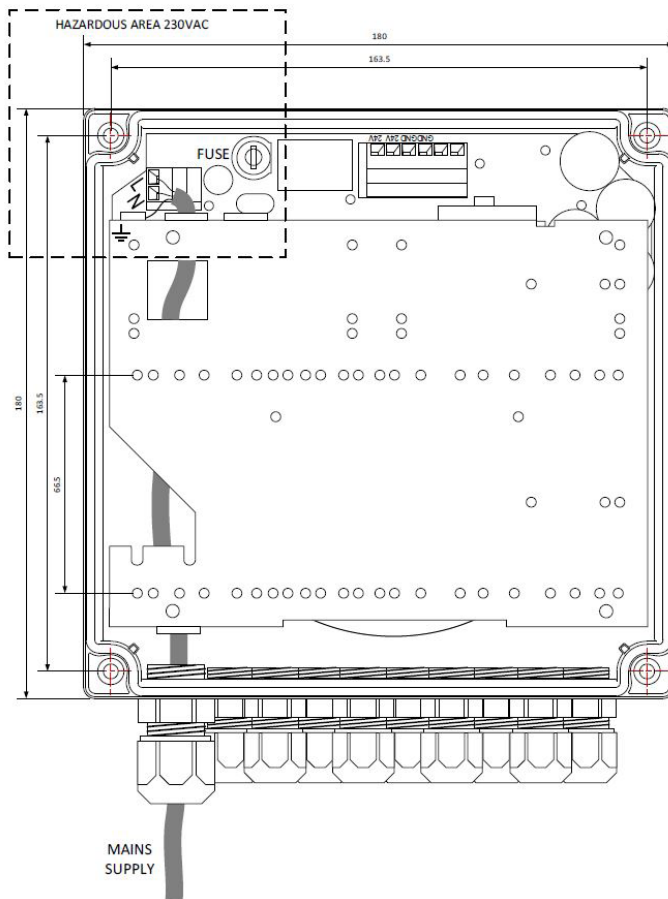
Block diagram



Derating curve



Operating instructions



Notice!

Only an electrician should connect the device, because of the 230VAC supply. The device has a hazardous area nearby the supply input connector. Do not touch.

Ordering:

TR-EM-LP300 Power Supply:

Ordering no.: TR-EM-LP300