



TR-EM-322 Basic, Ventilation Control Data sheet

TR-EM-322 Basic

The ventilation control unit TR-EM-322 Basic is designed for use in ventilation systems, in which an actuator is required to move the air damper into the desired position.

The system uses one actuator with hall/pot. or pot. feedback/response to perform automatic regulation. The position of the actuator spindle (stroke length) is determined by a 0-10V (2-10V) signal emitted by an automatic system.

The system is powered during operation by 230 VAC.

In the event of a power failure, the system is powered by an integrated back-up battery, which ensures that the actuator either closes or opens the air damper in the ventilation system.

The system is compatible with the actuators: LA12, LA32, LA33 og LA35.



Technical data:

- Power supply: 230VAC \pm 20%
- Max effekt P In: 125W (20% intermittens)
- Battery back-up: VRLA battery 12V - 0.8 A/h

Options:

- Customer specified front cover

Features:

- Housing: Poly Carbonat
- IP ratings: IP66
- Signal Input: Analog; 0-10V / 2-10V
- Signal Output: At alarms
- Display: Diodes in the lid
- Emergency supply: VRLA battery
- Operating pattern: Selected by DIP-switches
- Failure monitoring:
 - a) lost main power
 - b) low on battery power
 - c) lost control signal
 - d) motor overload
- Emergency opening at:
 - a) power failure
 - b) lost control signal



The specified product is produced by Electromen OY

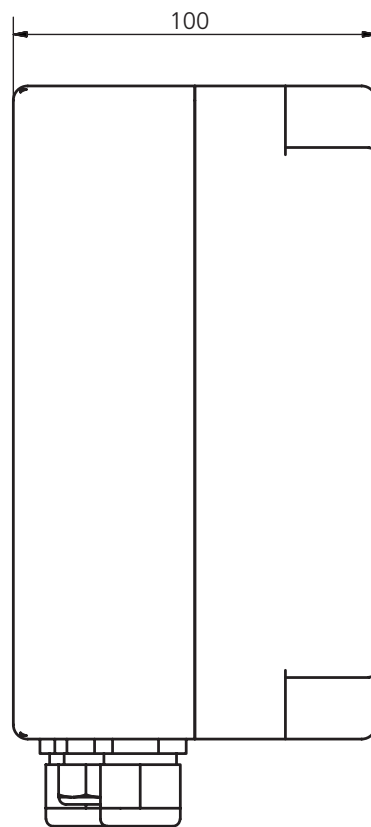
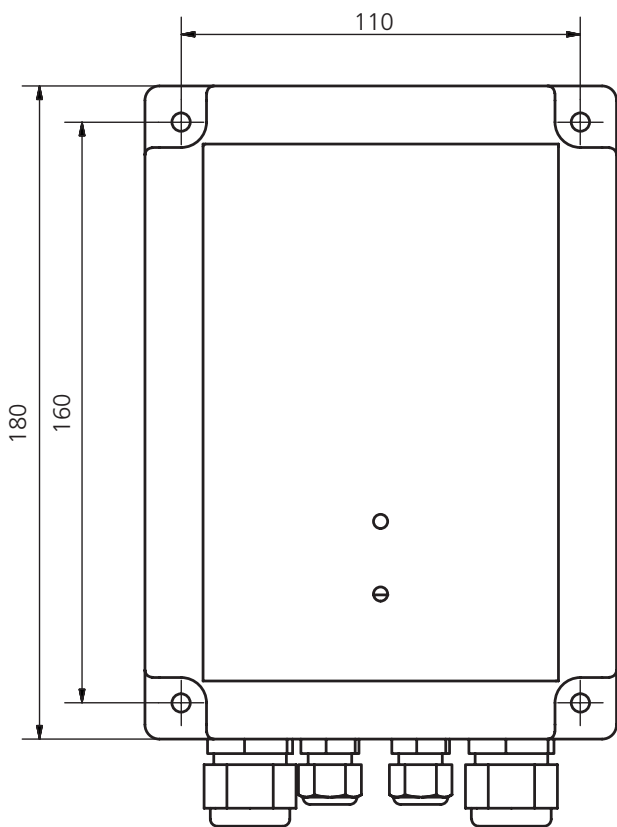
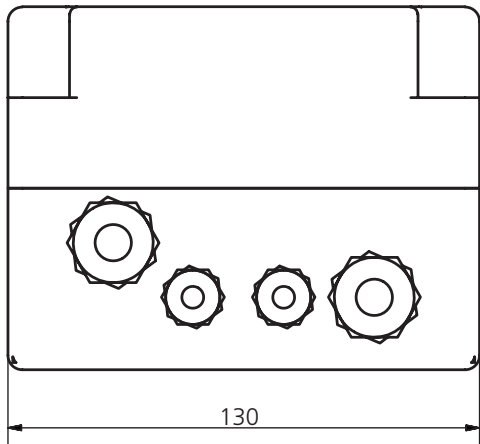
Specifications subject to change without prior notice.
It is the responsibility of the product user to determine the suitability of the products for a specific application. LINAK Danmark will at point of delivery replace/repair defective products covered by the warranty if promptly returned to LINAK Danmark. No liability is assumed beyond such replacement/repair.

LINAK® accepts no responsibility for possible errors or inaccuracies in catalogues, brochures, and other material. LINAK reserves the right to change its products without prior notice. LINAK cannot guarantee product availability and reserves the right to discontinue the sale of any product. The user is responsible for determining the suitability of LINAK products for a specific application. All sales are subject to the 'Standard Terms of Sale and Delivery', available on LINAK websites.

LINAK and the LINAK logotype are registered trademarks of LINAK A/S. All rights reserved.

Continued

Dimensions:



Ordering:

TR-EM-322 Basic, Ventilation Control:

Ordering no.: TREM0130DK-00