



# TR-EM-167 Positioning Driver Data sheet

# TR-EM-167 Positioning Driver

TR EM-167 is a positioning driver equipped with a set value potentiometer. It has a power stage capable of driving a DC motor. TR-EM-167 can drive a DC spindle motor equipped with potentiometer feedback. TR-EM-167 is suitable for slow and medium speed systems with transitional periods of 2 - 30s (from end to end). The current limit is adjustable and can reduce the torque of the motor.

Positioning is achieved by defining a set value to the TR-EM-167 internal potentiometer. The driver compares the feedback value to the set value and drives the motor towards the set value. As the values approach each other, the motor slows down and stops when the values are identical. The operating range is flexible from both ends by means of min. and max. adjustments.



Third party product

## Technical data:

- Operating voltage: 12-32VDC
- Idle current: < 40mA
- Protections: overheat (self recovery)  
short circuit approx. 30A
- Current limit: 0-15A adjustable
- Range adj.: 0-30% low. & 70-100% up.
- Accuracy: typ. +/- 1% of range
- Feedback input: Potentiometer 1...100 kohm or  
voltage signal 0-5V
- Ref. voltage pin-2: 5V max. 15mA
- Error out: NPN open-coll. 30V 50mA
- Efficiency: > 92%
- Operating temp.: -20 to 60°C
- Dimensions: 39 x 39 x 50 mm
- Weight: Approx. 85 g

## Features:

- Small and easy to install.
- Functional within a broad temperature range, which makes it suitable for use in vehicles.
- Power stage is equipped with automatic recovery after overheating and overcurrent. However, using an external fuse is recommended.
- The driver is compatible with actuators equipped with feedback potentiometers.



ELECTROMEN OY

The specified product is produced by Electromen OY

Specifications subject to change without prior notice.

It is the responsibility of the product user to determine the suitability of the products for a specific application. LINAK Danmark will at point of delivery replace/repair defective products covered by the warranty if promptly returned to LINAK Danmark. No liability is assumed beyond such replacement/repair.

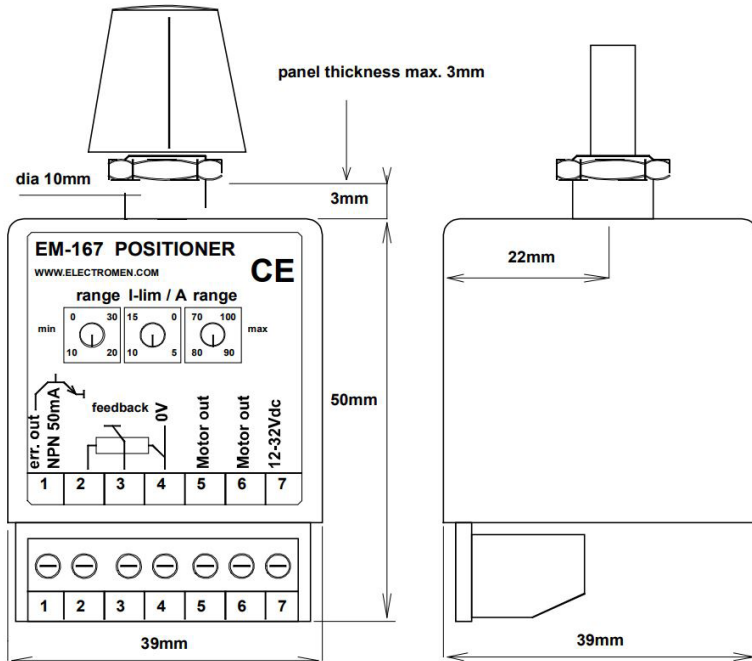
LINAK® accepts no responsibility for possible errors or inaccuracies in catalogues, brochures, and other material. LINAK reserves the right to change its products without prior notice. LINAK cannot guarantee product availability and reserves the right to discontinue the sale of any product. The user is responsible for determining the suitability of LINAK products for a specific application. All sales are subject to the 'Standard Terms of Sale and Delivery', available on LINAK websites.

LINAK and the LINAK logotype are registered trademarks of LINAK A/S. All rights reserved.

Continued

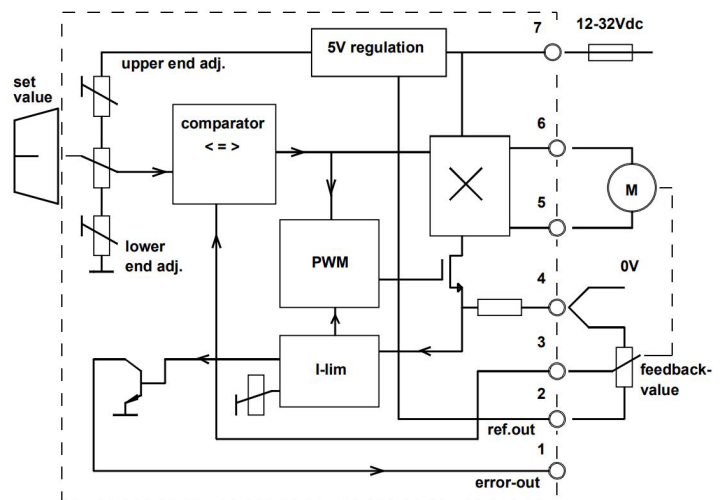
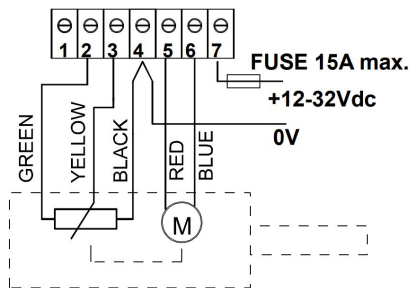
## Dimensions

TR-EM-167 is designed to be mounted in a box or an operating panel with a max. panel thickness of 3mm.



## Connection

Device connected to a LA12P, feedback coming from spindle motor potentiometer.



## Ordering:

TR-EM-167 Positioning Driver:

Ordering no.: TR-EM-167